

Electronic Coil Replacement

3TS9235-F78K

3TS9235-M78K

3TS9235-B48K

3TS9235-E48K

Operating Instructions

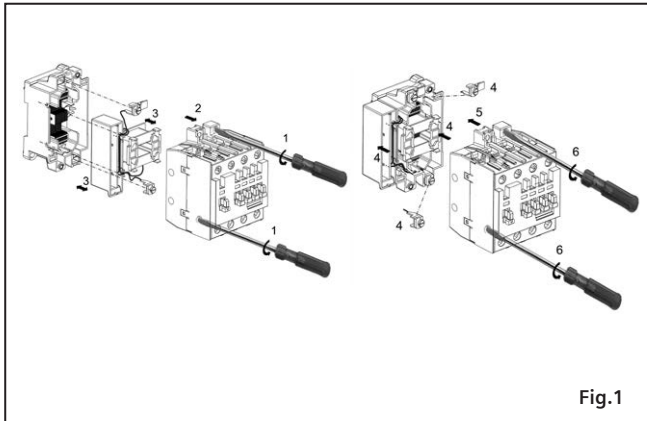
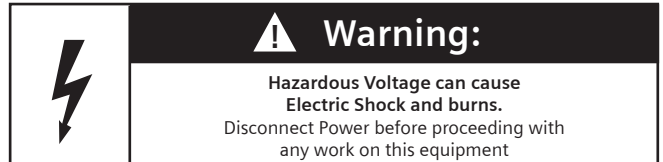


Fig.1



Electronic Coil

Electronic coils are for 3TS 35/36/37 4 Pole contactors.

A. Technical Data

Electronics coils gives wide range of operating voltage for 3TS35-37 4Pole Contactor.

Type Rated	Operating Coil Voltage
3TS9235-F78K	81-136V AC
3TS9235-E48K	137-273V AC
3TS9235-B48K	24V DC
3TS9235-E48K	52-55V DC

- Permissible Ambient Temperature: -5°C to +60°C
- Rated Insulation Voltage: $U_i = 690V$
- Pollution Degree: 3

B. Installation

- Ensure the Contactor is switched OFF.
- Unscrewing the 2x screws (as shown in the Fig. 1 – Step 1)
- Separate out Top assembly to access Coil assembly. (Fig. 1 – Step 2)
- Replace old Coil & APCB Housing from the Magnet Chamber with the New Set. (Fig. 1 – Step 3 & 4)
- Route the Wire. Push the 2x wires in the given slot with non-sharp tool. (as shown in fig 2.)
- Place the top assembly on the Magnet Chamber (Fig. 1 – Step 5)
- Tighten the 2x Screws at 65-120 N-cm torque. (Fig. 1 – Step 6)

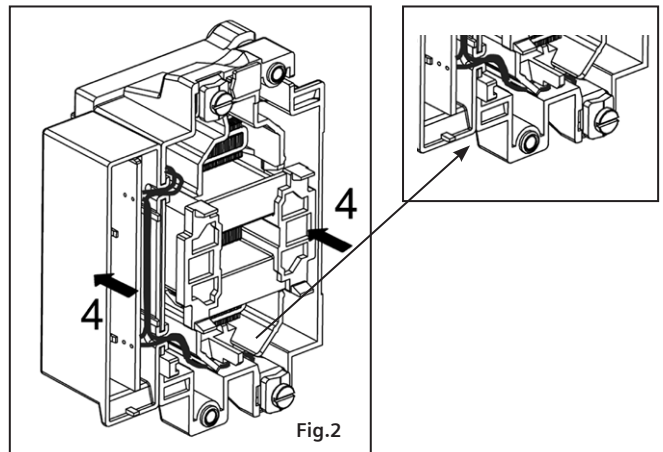


Fig.2

Disposal

Siemens product are environment friendly, which predominantly consist of recyclable materials.

For disposals we recommend disassembling and separation into following materials:

METALS: Segregate into Ferrous & Non Ferrous types for recycling through authorised dealer.

PLASTICS: Segregate as per material type for recycling through authorised dealer. Because of the long lifetime of Siemens products the disposal guidelines may be replaced by other national regulations when taking the product out of service.

The local customer care service is available at any time to answer disposal-related questions