



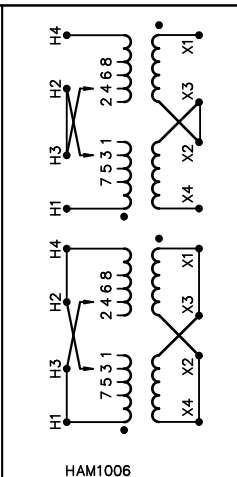
REVISION	DATE	BY	DATE	BY
		DRAWN	11/12/06	RB
		CHEK'D		
		VERIF'D		

Confidential - Property of Siemens Industry, Inc. Building Technologies Division	
CUSTOMER	
ORDER NO.	DWG. NO.
	1D1Y050CLN3TP1 SH 1 OF 2

SIEMENS

CATALOG NO. 1D1Y050CLN3TP1
 SERIAL NO. SERIES H
50 kVA **60** Hz **1** PHASE
6.1 % IMP AT **170** °C
150 °C RISE °C AVG. AMBIENT
220 °C TEMP CLASS °C MAX. AMBIENT
 PRIMARY (H1 H3 H2 H4) **240X480V** V
 SECONDARY(X4 X2 X3 X1) **120/240V** V
 WINDING MATERIAL **CU**
 ENCLOSURE TYPE NEMA-3R WEIGHT **420** LBS
 ENERGY EFFICIENCY NEMA TP 1-2002

SOUND LEVEL 3 DB BELOW NEMA ST-20
 LISTED DISTRIBUTION TRANSFORMER 77US
 TYPE **F**
 LR 3902

 E112313
 SUITABLE FOR INDOOR OR OUTDOOR LOCATIONS
 DO NOT INSTALL IN AREAS ACCESSIBLE TO PUBLIC
 FOR INSTALLATION SEE INSTRUCTION MANUAL
 NEMA Class **ANN** Dry Type Transformer Siemens Industry, Inc. Norcross, GA

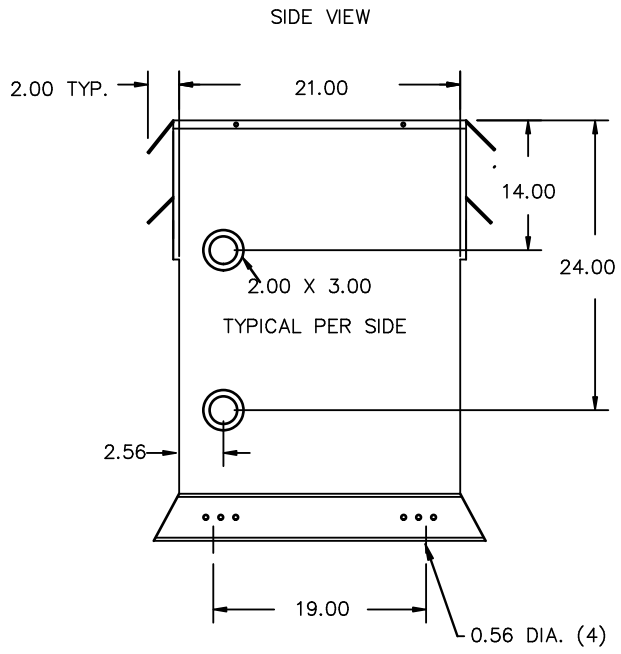
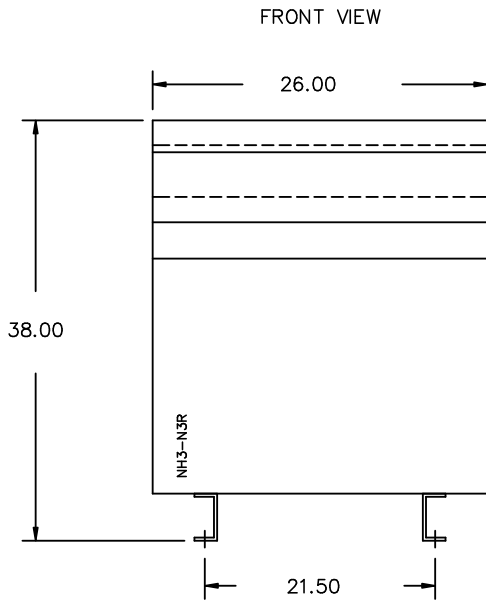


VOLTS	INPUT LINE ON H1 & H4
504	CONNECT
492	H2-1, H3-2
480	H3-2, H2-3
468	H2-3, H3-4
456	H3-4, H2-5
444	H2-5, H3-6
432	H3-6, H2-7
252	H2-7, H3-8
240	H2-1, H3-2
228	H2-3, H3-4
216	H2-5, H3-6
	H2-7, H3-8

VOLTS	CONNECT	OUTPUT LINE
120	X1-X3, X2-X4	X1-X4
240	X2-X3	X1-X4
120/240	X2-X3	X1-X2-X4

dsu0082e1





All Dimensions in inches

ENCLOSURE COLOR :ANSI 61 GREY – OUTDOOR

H.V.1. TERMINAL DETAIL

L.V.1. TERMINAL DETAIL

MECHANICAL TYPE LUGS INCLUDED
SUITABLE FOR 250MCM-6 CU/AL
CONDUCTORS
1 CONDUCTOR PER PHASE

MECHANICAL TYPE LUGS INCLUDED
SUITABLE FOR 600MCM-2 CU/AL
CONDUCTORS
1 CONDUCTOR PER PHASE

CUSTOMER NOTES:

- HV1 TERMINATED AT TOP FRONT
- LV1 TERMINATED AT BOTTOM FRONT

Confidential – Property of
Siemens Industry, Inc.
Building Technologies Division

REVISION	DATE	BY	DATE	BY
		DRAWN	11/12/06	RB
		CHEK'D		
		VERIF'D		

CUSTOMER	
ORDER NO.	DWG. NO. 1D1Y050CLN3TP1
SH 2 OF 2	

0.2 rbhatta 2011/12/06 13:03