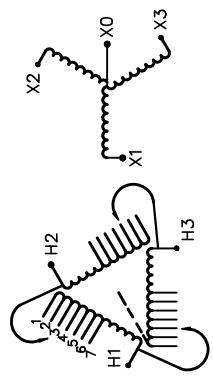




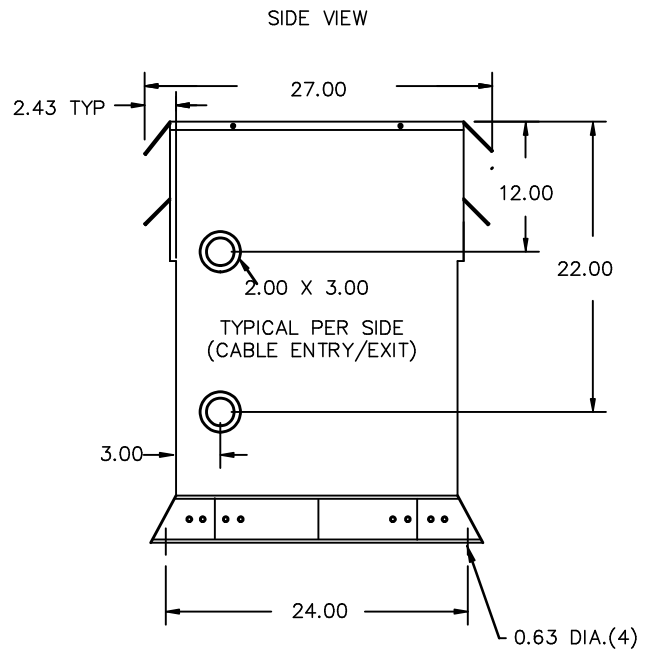
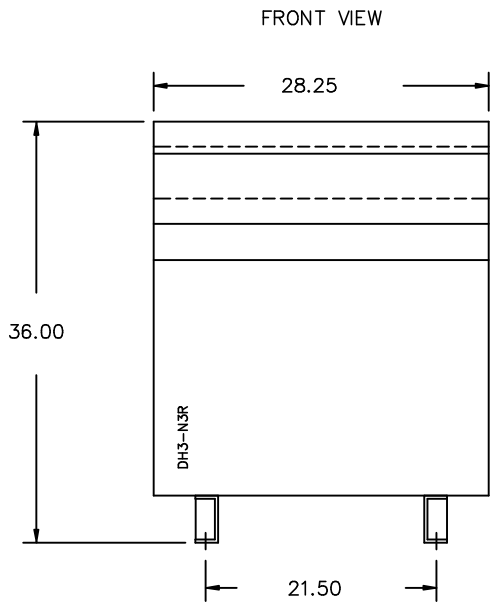
REVISION	DATE	BY	DATE	BY
			15/11/17	JW
1 ADDED ENCL BOTTOM DRAWING	17/04/03	JW		

Siemens Industry, Inc.		
CUSTOMER		
ORDER NO.	DWG. NO.	1
	3F3Y075K4FLN3D16	SH 1 OF 3

# SIEMENS

<p>CATALOG NO. 3F3Y075K4FLN3D16</p> <p>SERIAL NO. SERIES H</p> <p>75 kVA 60 Hz 3 PHASE</p> <p>3.7 % IMP AT 135 °C</p> <p>115 °C RISE 30 °C AVG. AMBIENT</p> <p>220 °C TEMP CLASS 40 °C MAX. AMBIENT</p> <p>PRIMARY ( H1 H2 H3 ) 480V V 10 kV BIL</p> <p>SECONDARY( X0 X1 X2 X3 ) 208Y/120V V 10 kV BIL</p> <p>WINDING MATERIAL AL</p> <p>ENCLOSURE TYPE 3R WEIGHT 685 LBS</p> <p>ENERGY EFFICIENCY EXCEEDS CSA C802.2-2012 DOE 10 CFR PART 431:2016</p> <p>SPACINGS BETWEEN ANY VENTILATED ENCLOSURE PANEL AND ANY ADJACENT WALL SHALL BE A MINIMUM OF 5 INCHES EXCEPT WHEN WALL MOUNTED USING APPROVED WALL MOUNTING KIT ELECTROSTATIC SHIELD</p> <p>SOUND LEVEL 3dB BELOW NEMA ST20 REQUIREMENTS</p> <p>SUITABLE FOR NONSINUSOIDAL CURRENT LOAD WITH K-FACTOR NOT TO EXCEED K-4 SUITABLE FOR INDOOR OR OUTDOOR LOCATIONS BEFORE HANDLING, INSTALLING AND OPERATING, SEE INSTRUCTION MANUAL</p> <p>NEMA Class ANN Dry Type Transformer Siemens Industry, Inc. Norcross, GA <small>dsu0087e</small></p>	 <p style="text-align: center;">VOLTS CONNECT</p> <table style="margin-left: auto; margin-right: auto;"> <tr><td>1</td><td>2</td><td>3</td><td>4</td><td>5</td><td>6</td><td>7</td></tr> </table> <p style="text-align: center;">504 492 480 468 456 444 432</p>	1	2	3	4	5	6	7	<p style="text-align: center;">TYPE K</p> <div style="display: flex; justify-content: space-around; align-items: center;">   </div> <p style="text-align: center;">LISTED DRY TYPE TRANSFORMER E112313 LR 3902</p> <p style="font-size: small;">SEISMIC QUALIFICATIONS, FLOOR MOUNT ONLY OSP-0136-10 IBC 2012/ASCE 7-10 SDS&lt;=2.0g Z/h=1 Ip=1.5</p>
1	2	3	4	5	6	7			





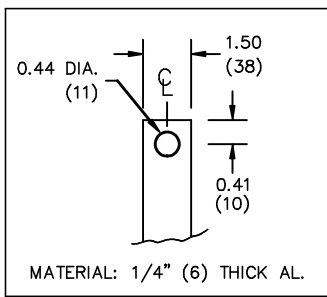
All Dimensions in inches

ENCLOSURE COLOR :ANSI 61 GREY – OUTDOOR

H.V.1. TERMINAL DETAIL

L.V.1. TERMINAL DETAIL

MECHANICAL TYPE LUGS INCLUDED  
SUITABLE FOR 250MCM-6 CU/AL  
CONDUCTORS  
1 CONDUCTOR PER PHASE



CUSTOMER NOTES:

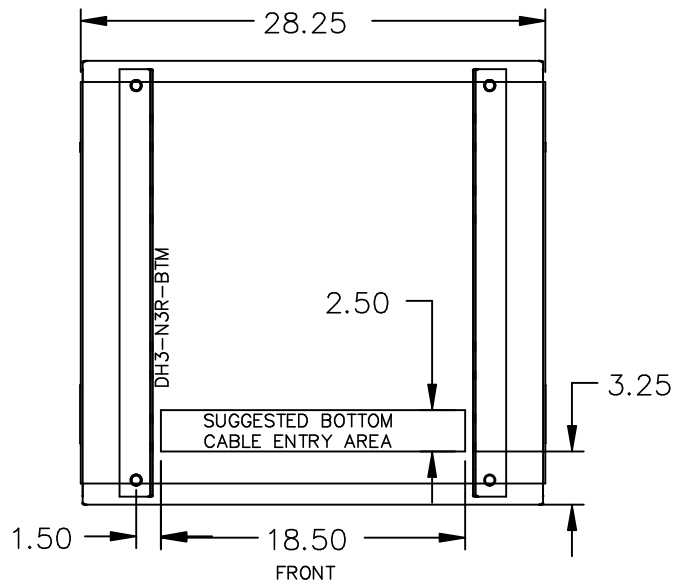
- HV1 TERMINATED AT TOP FRONT
- LV1 TERMINATED AT BOTTOM FRONT

Siemens Industry, Inc.

REVISION	DATE	BY		DATE	BY	CUSTOMER
			DRAWN	15/11/17	JW	
			CHEK'D			
1 ADDED ENCL BOTTOM DRAWING	17/04/03	JW	VERIF'D			ORDER NO.      DWG. NO.      1
						3F3Y075K4FLN3D16      SH 2 OF 3

1.1 jwen 2017/07/17 12:55

ENCLOSURE BOTTOM VIEW



NOTE:  
 WHEN BOTTOM CABLE ENTRY IS OPTED, THE SPACE USED FOR CONDUITS IN THE FRONT OF THE TRANSFORMER SHOULD NOT OBSTRUCT MORE THAN 50% OF THE FRONT AIR INTAKE AREA DEFINED BETWEEN THE BOTTOM PLATE AND THE SUPPORTING LEGS.  
 SEE MANUAL FOR ADDITIONAL INFORMATION

Siemens Industry, Inc.

REVISION	DATE	BY	DATE	BY	CUSTOMER
			15/11/17	JW	
			CHEK'D		
1 ADDED ENCL BOTTOM DRAWING	17/04/03	JW	VERIF'D		ORDER NO.
					DWG. NO.
					3F3Y075K4FLN3D16
					1
					SH 3 OF 3