

General Duty Safety Switch

Type VBII, 30 Amp, 240 Volts, Type 3R (Outdoor)

Standards and Ratings

- UL Listed under file #E4776
- Meets UL98 for switches and UL50 for enclosures
- Meets NEMA Standard KS-1 for enclosed switches
- Meets NEC wire bending space requirements
- Rated 10,000 AIC with Class H fuses or 100,000 AIC with Class R fuses

- Suitable for use as service entrance equipment

Features

- Quick-make and break switching action
- Double break visible blade design
- Highly visible ON/OFF indication

General Information

Catalog Number	Description	Ship. Wt. (lbs.) (Std Pkg)
GF321NR	3 Phase, 4 Wire, (Cartridge Fuse)	24 (5)
GNF321R 1	3 Phase, 3 Wire, Non-Fusible	24 (5)

Horsepower Ratings 2

Catalog Number	1 Phase, 2 Wire, 240V AC		3 Phase, 3 Wire, 240V AC		250V DC
	Std	Max	Std	Max	
GF321NR	1½	3	3	7½	5
GNF321R	—	3	—	7½	5

Accessories

Catalog Number	Description
GSRK60	Equipment Ground Kit (Wire Range #14-2 Cu/Al)
W410190	Neutral Kit
GSRK321	Class R Fuse Clip Kit
HA075S	0.75" Type "HA" Outdoor Hub
HA100S	1.00" Type "HA" Outdoor Hub
HA125S	1.25" Type "HA" Outdoor Hub

Replacement Parts

Catalog Number	Description
W410473A	Replacement Interior 3-Pole Fusible (GF321NR)
W410473B	Replacement Interior 3-Pole Non-Fusible (GNF321R)

Mechanical Lug Wire Ranges (60/75°C, Cu/Al)

Description	Wire Range
Line, Load, Neutral	#14-6 AWG or #14-8 AWG

¹ Use Neutral Kit for 1-phase, 3-wire or 3-phase, 4-wire applications.

² Dual horsepower ratings: Std - applies when non-time delay fuses are installed.
Max - applies when time-delay fuses are installed.

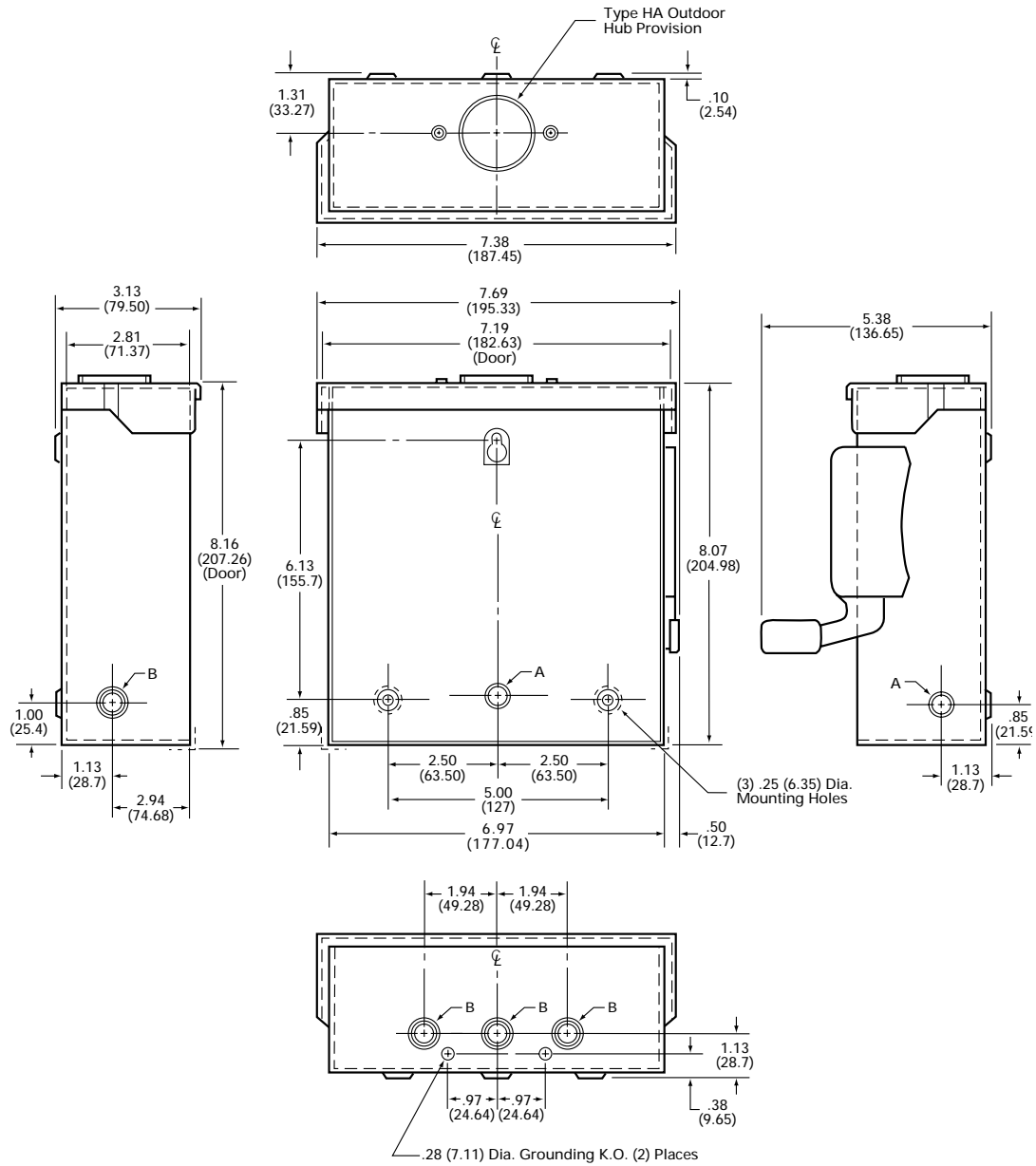
Product Specification Sheet GD30.4

Answers for industry.

SIEMENS

Product Specification Sheet #GD30.4 (page 2 of 2)

Dimension Drawing



Dimensions shown in inches and millimeters ().
 Dimension shown accurate to $\pm \frac{1}{8}$ inch.
 Note: Handle shown on front and right hand views only.

Knockout Code	Conduit Size	
A (Concentric)	.50	.75
B (Concentric)	.50	.75 1.00

	Line Side Wire Bend	Load Side Wire Bend
Fused	2.00 (51)	1.50 (38)

Enclosure: Galvanized Steel
 .048 Thick (18 Gauge)
 Finish: ANSI Grey #61 Paint