

Installation Instructions



⚠ DANGER

Hazardous voltage.
Will cause death or serious injury.

Turn power off supplying device before installing.

Types: ED6, (H)ED4, (H)ED6, ED6(-A)(ETI), CED6, CED6(-A)(ETI), HHED6, (H)ED4(ETI), (H)ED6(ETI), ED2Y, EM6, EMK.

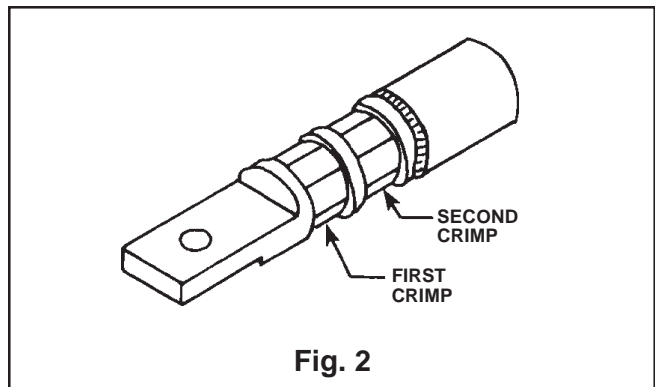
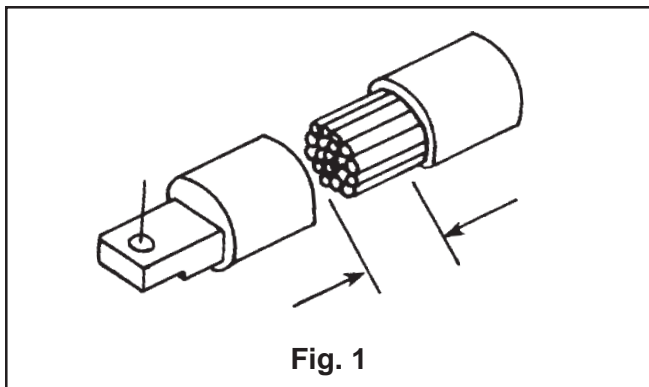
⚠ SAFETY INSTRUCTIONS

NOTE: This instruction sheet outlines the recommended installation procedure. Use of these lugs may result in reduced wire bending space. The installer should verify that adequate wire bending space is still provided for the installation, in accordance with applicable codes.

The terminals have been tested per UL-486 B with standard stranded cable.

1. Turn power off supplying device before installing compression lugs.
2. Remove any existing wire connectors from circuit breaker.
3. Install circuit breaker.
4. Pre-form cables to final configuration and strip insulation 13/16" on each conductor. Use of an appropriate insulation stripping tool is recommended to avoid damaging the conductor.

5. Clean aluminum conductor surfaces thoroughly using a wire brush or other suitable means, to remove oxides and other contaminants from the conductor.
NOTE: Copper wires and the compression connector should **NOT** be abrasively cleaned.
6. Remove cap from compression connector and insert cable fully into barrel of connector immediately after cleaning conductors.
7. Insure that connector tang(s) are in their proper orientation prior to crimping to avoid twisting of cables during installation.
8. Select an appropriate tool and die combination from Table 1 and make the required number of crimps within the boundaries stamped on the connector barrel. Refer to Figure 2 for sequence of multiple crimps.



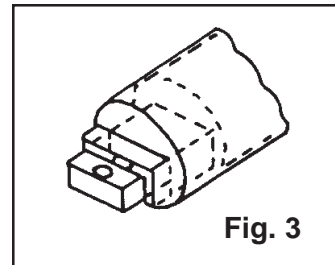


Installation Instructions

9. Remove any inhibitor compound expelled during the crimping operation from the connector body and the cable insulation.

WARNING: Short spacings do result if step #10 is not followed.

10. Slip insulating cover over connector tang and then over connector barrel such that only the connector tang is exposed.



11. Position connector tang against the circuit breaker terminal and secure with 1/4-28 X 1/2" socket head cap screw and conical spring washer. Conical spring washer is to be installed with convex side of washer toward underside of screw head (Fig. 4). Torque screw to 50 inch-pounds.

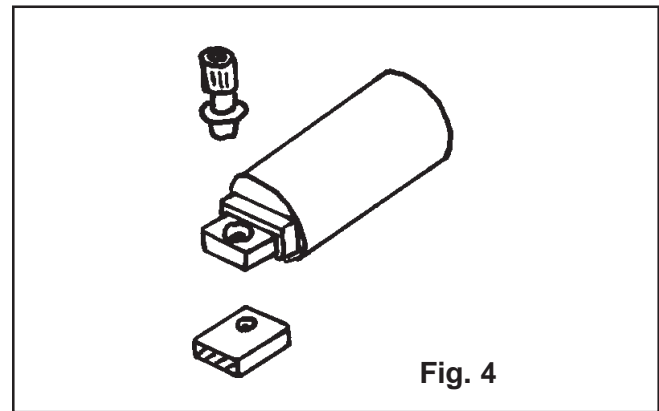


TABLE 1

COMPRESSION TOOL AND DIE CHART FOR COPPER AND ALUMINUM CONDUCTORS				
<u>Wire Size</u>	<u>Tool Mfr.</u>	<u>Tool No.</u>	<u>Die No.</u>	<u>No. of Crimps</u>
2/0	Homac	UT-5	TWTY	2
		UT-15	58	1
2/0	Burndy	Y-35	U245	1
2/0	T & B	TBM-15	60	1
#14-2/0	Square D	VC-6	---	1