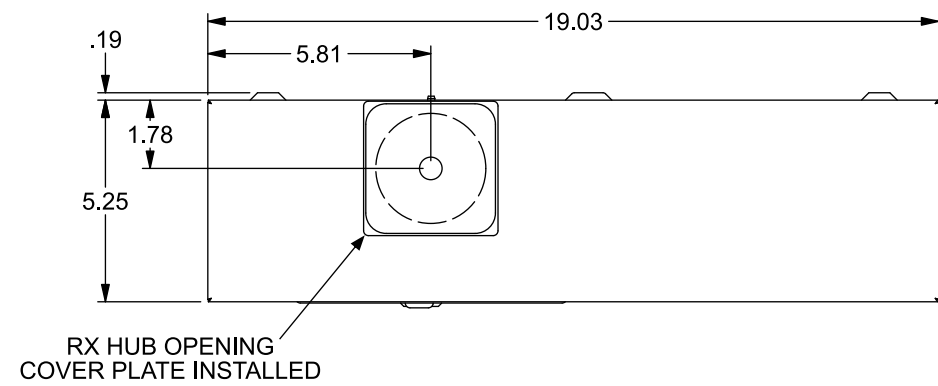


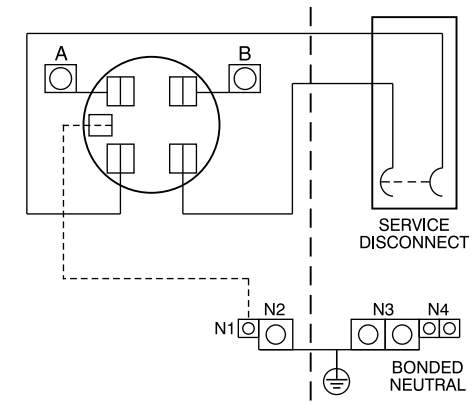
# Catalog Number: MM0202B1125RJBX

## Features and Ratings

- Outdoor Enclosure (NEMA Type 3R)
- Ringless Type Meter Cover
- Meter Socket Rating: 125A Continuous
- 5th Jaw Installed 9 o'Clock Position
- 125A Main Breaker Installed
- 1 Phase, 3 Wire, 120/240V~
- 22,000 AIC Max. Rated (See Wiring Diagram for Details)
- Overhead or Underground Service Entrance
- RX Type Hub Provision on top, Cover Plate Included
- HC Hub Provision on Bottom Endwall
- Factory Installed Horn Bypass



## Schematic



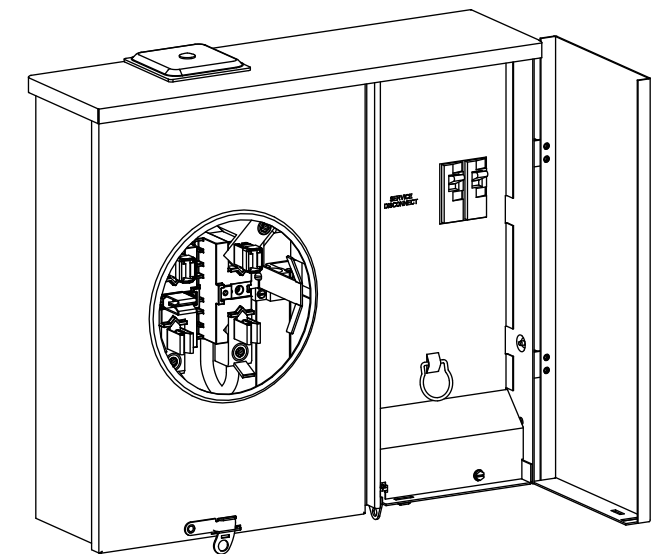
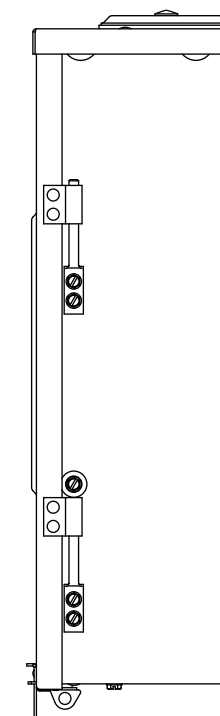
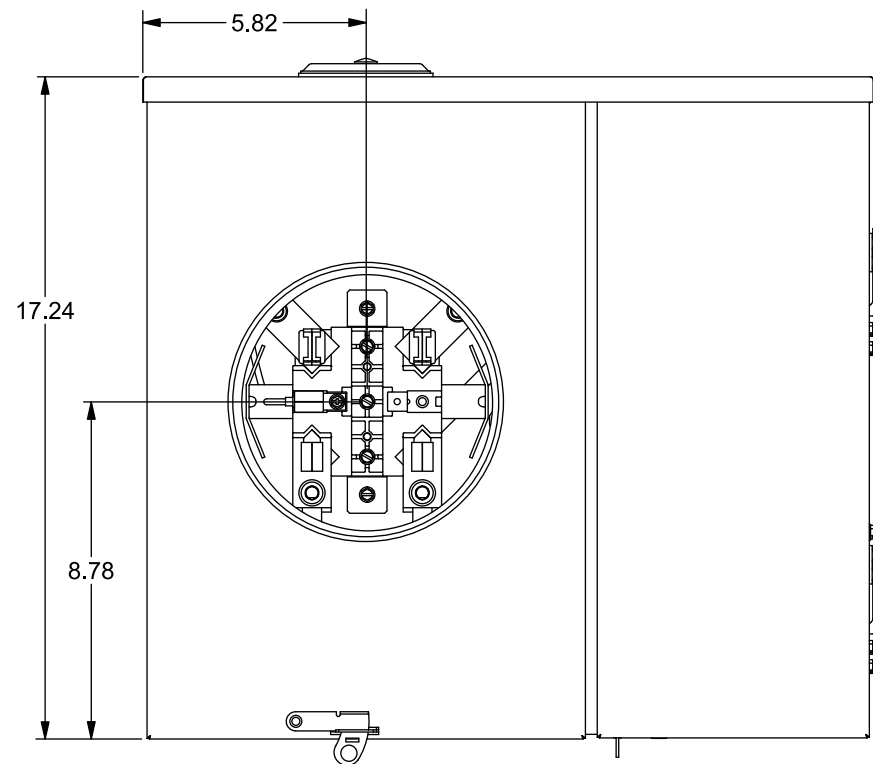
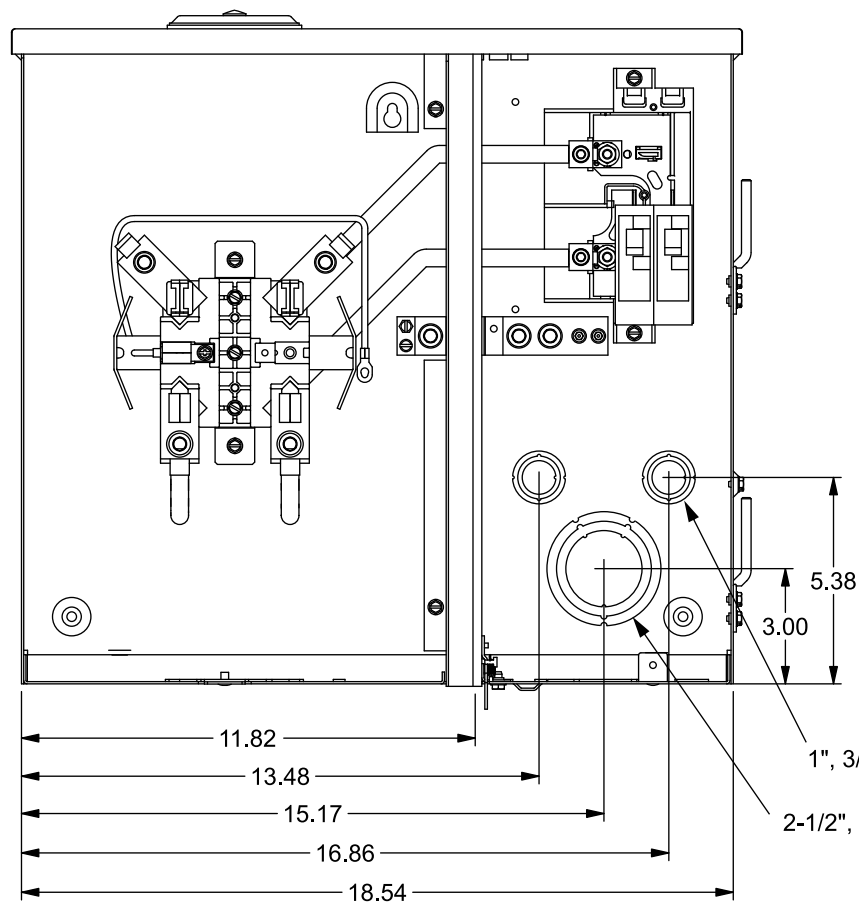
## Wire Sizes and Torques

Terminal	Wire Size	Torque
A, B	350kcmil - #6	275 lb-in
N1	#2 - #3	50 lb. in.
	#4 - #6	45 lb. in.
	#8	40 lb. in.
	#10 - #14	35 lb. in.
N2	250 kcmil - #6	275 lb. in.
N3	250 kcmil - #4	275 lb. in.
N4	1/0 - #14	120 lb. in.

## Accessories

Trade size (in)	Catalog number
<i>RX Type Hub (top endwall)</i>	
1 1/4"	EC38597
1 1/2"	EC38598
2"	EC38599
2 1/2"	EC38600
RX Cover Plate	EC38595
<i>HC Type Hub (bottom endwall)</i>	
2"	ECHC200
2 1/2"	ECHC250
3"	ECHC300

## View Shown Without Cover, Door, Deadfront, Shields

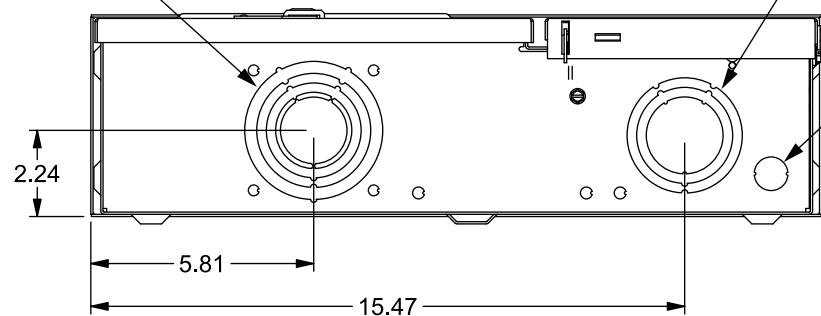


1", 3/4", 1/2" KO (2x)  
2-1/2", 2", 1-1/2" KO

3", 2-1/2", 2", 1-1/2", 1-1/4" KO with HC Hub Provision

2-1/2", 2", 1-1/2" KO

1/2" KO



© 2018 Copyright Siemens Industry, Inc.

**SIEMENS**  
Siemens Industry, Inc.

## Meter/Main Breaker Combination

Description:  
**Ringless, 125A, 5 Jaw, OH/UG, Surf. Mount**

KAM 5/11/18 Fam A DO NOT SCALE DRAWING Dwg. No. **MM0202B1125RJBX**