

Installation Instructions



⚠ DANGER

Hazardous voltage. Will cause death or severe injury.

Turn power off supplying device before installing.

⚠ SAFETY INSTRUCTIONS

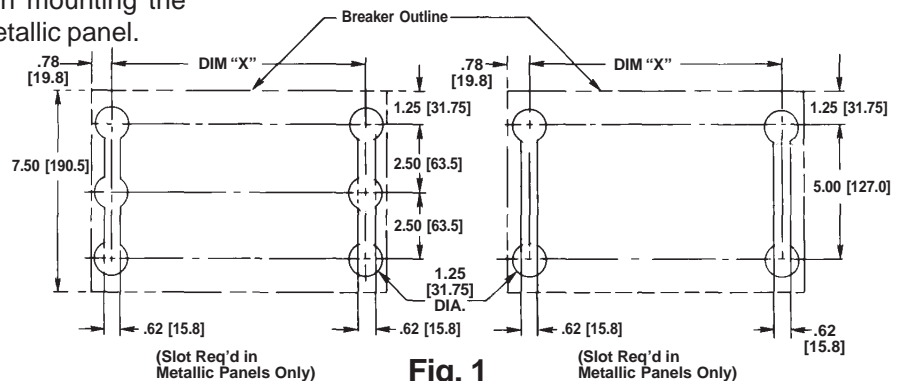
NOTE: These instructions outline the recommended installation procedure. The term circuit breaker used in these instructions, also includes molded case switches, and motor circuit interrupters.

1. Turn power off supplying device before installing kit.

MOUNTING PREPARATION (Fig. 1)

2. Drilling locations are shown Fig. 1. The 5/8" wide cut-out between holes is required when mounting the breaker with stud assemblies to a metallic panel.

CIRCUIT BREAKER TYPE	DIM "X"
HCJD6, SCJD6, CJD6(ETI), CLD6(ETI), HCLD6, CLJ(ETI), SCLD6(ETI), CLL(ETI), CLLFP, JFF, JFC, LFF, LFC	16.30 [414.0]
ALL OTHER TYPES	9.44 [239.8]



GENERAL DESCRIPTION

One complete rear stud assembly consists of the following:

- 1 - 1"- 12 threaded stud
- 1 - Molded stand-off insulator
- 1 - Insulator bushing
- 1 - Insulator (req'd for metallic mtg. panels only)
- 1 - "T" connector
- 2 - Brass locknuts
- 1 - 5/16-18 X 1" mtg. bolt
- 1 - 5/16 Belleville washer
- 1 - End Shield Assembly Kit (for use only with Current Limiting Type Circuit Breakers)

NOTE: Type CJD6, HCJD6, SCJD6, HCLD6 and CLD6 Current Limiting Circuit Breakers require attachment of end shield assembly's from Cat No. CLRSJL2 or CLRSJL3 to each load side terminal. See steps 4a and 5a on page 2 for installation details.

CIRCUIT BREAKER TYPE	AMPS	POLES	QUANTITY REQUIRED PER BREAKER	END SHIELD ASSEMBLY
JD2, JXD2, JJ6, JL6(ETI), HJ6, JXD6(ETI), SJD6, HJD6, HHJD6	400	2	4ea. Cat. No. RS5774	
		3	4ea. Cat. No. RS5774 and 2ea. Cat. No. RS5773	
SCJD6, HCJD6, CLJ(ETI)	400	2	4ea. Cat. No. RS5774	CLRSJL2
		3	4ea. Cat. No. RS5774 and 2ea. Cat. No. RS5773	CLRSJL3
LJ6, LL6(ETI), HL6, SLL, SHL, SLD6, HLD6, HHLd6, HLXD6, LXD6(ETI)	400	2	4ea. Cat. No. RS5784	
		3	4ea. Cat. No. RS5784 and 2ea. Cat. No. RS5783	
CLJ(ETI), CLL(ETI), HCLD6	400	2	4ea. Cat. No. RS5784	CLRSJL2
		3	4ea. Cat. No. RS5784 and 2ea. Cat. No. RS5783	CLRSJL3



Installation Instructions

BREAKER PREPARATION (Fig. 2)

3. Remove wire connectors from breaker if present.
4. Attach rear stud assemblies (Item 1 & 2) to circuit breaker for 3 pole devices (Item 1 only for 2 pole devices). Attach with (Item 3) the 5/16-18 X 1" hex head bolt & the 5/16 serrated cone lockwasher (Item 4). Tighten finger tight only.
- 4a. NOTE: For Current Limiting Circuit Breakers **Load end only**. Attach end shield bracket (Item 12), to the connector mounting surface using (Item 3) bolt and (Item 4) lockwasher as shown in fig. 2a. Tighten the 5/16-18 bolt finger tight only.
5. Slide one stand-off insulator (Item 5) onto each stud until the stand-off insulator fully covers the square end of the studs. Tighten (Item 3) bolt to 132 in-lbs. [8.11 Nm] & install insulator (Item 10) over studs only if using a metallic mounting panel.
- 5a. NOTE: For Current Limiting Circuit Breakers only. Attach (Item 13) end shield to bracket (Item 12), using the four molded pan head screws (Item 14). Tighten screws to 5 in-lbs. [.307 Nm] maximum.

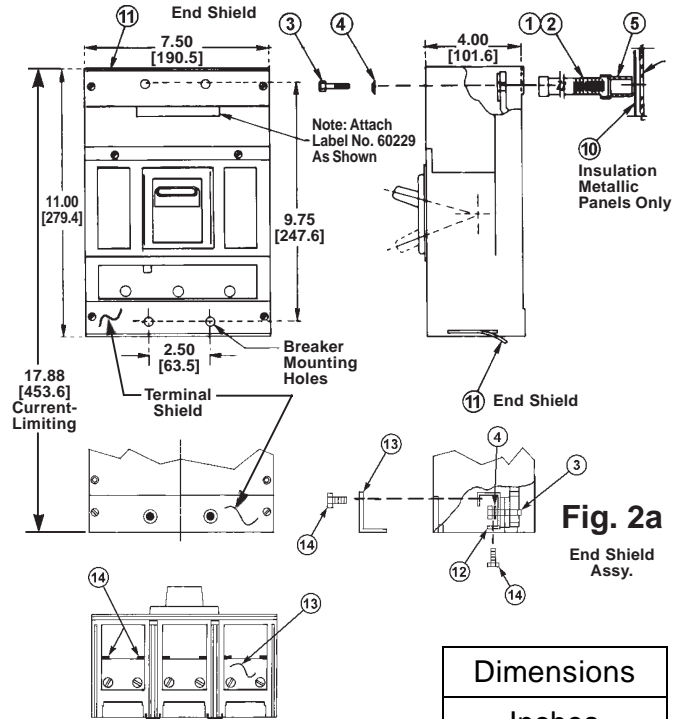


Fig. 2a
End Shield Assy.

Dimensions	
Inches	[Millimeters]

FINAL ASSEMBLY (Fig. 3)

6. Install circuit breaker so that all studs extend through mounting panel and the stand-off insulators (Item 5) are seated against the mounting panel.
7. Install insulator bushings (Item 6 & 7) over studs where required and tighten them securely in place against the mounting panel with the locknut (Item 8).
8. Thread the second locknut (Item 8) and the "T" connector (Item 9) over the studs as far as possible where required. Position "T" connector as desired by loosening (1 full turn maximum) and lock in place with the second locknut at 132 in. lbs. [8.11 Nm]

IMPORTANT USER NOTE

Assemblies are designed with adequate 600 volt electrical clearance between components. User installation must maintain these clearances through spacing or proper insulation.

9. Insert the one piece end shields (Item 11) into the slots provided at the line & load ends of the breaker as shown in Fig. 2, one for each stud position. NOTE: One piece end shields not required at load end of Current Limiting Circuit Breakers. Ref. steps 4a and 5a.
10. Affix the label Pc. No. 60229 to breaker cover as shown in Fig. 2.
11. Make desired bus bar connections with 5/16 bolts & washers to "T" connectors. (See Fig. 3 for hole pattern of "T" connector.)

