

## Catalog Numbers, Ratings and Features

| Catalog No. | Max. Branch Rating | Main Bus, 1200A Max. | Breaker Type  | Meter Socket Cover | Meter Socket Type/ Continuous Rating | No. of Jaws | Bypass Type | Neutral Lug Wire Range                               | Equip Ground Lug (Qty) and Wire Range |
|-------------|--------------------|----------------------|---------------|--------------------|--------------------------------------|-------------|-------------|--|---------------------------------------|
| WMK11600R   | 600A               | 1 Phase              | 2 Pole LXD6-A | Ringless           | K4 / 480A                            | 4           | Manual*     | (1)or(2)Wires 3/0-500 CU<br>(1)or(2)Wires 4/0-500 AL | (2) #4-300 kcmil                      |

\*Use Rake Type Bypass Catalog No. H56495

- TYPE 3R OUTDOOR ENCLOSURE
- 120/240 VOLTS AC, 1 PHASE, 3 WIRE.
- 1 PHASE INPUT, 1 PHASE OUTPUT
- MOUNTING RAILS AND ADJUSTABLE BRACKETS FOR SECURE MOUNTING

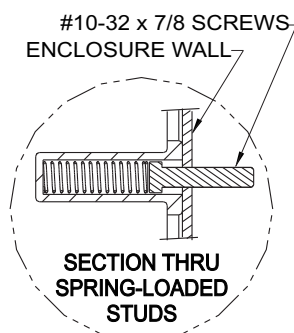
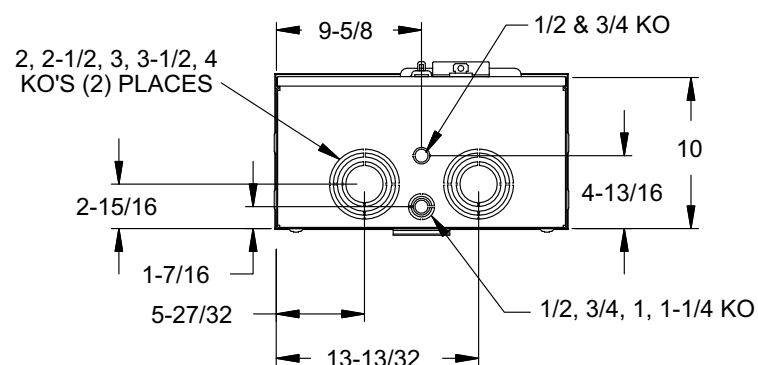
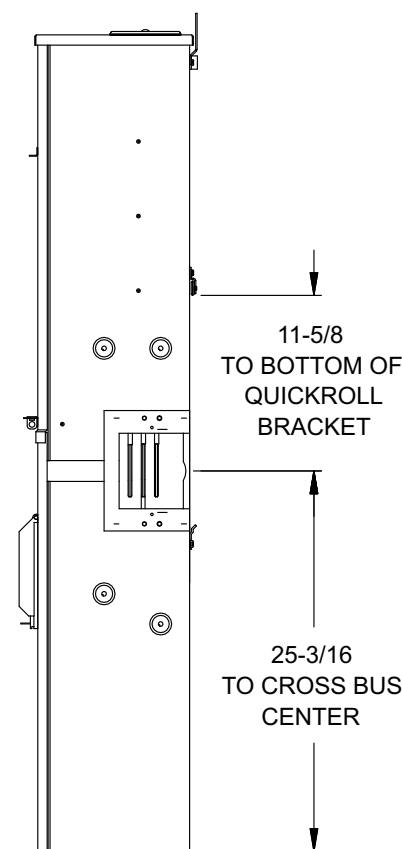
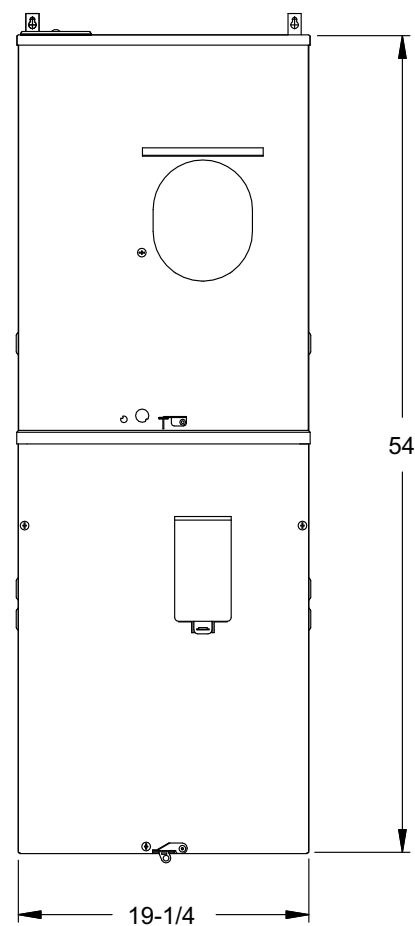
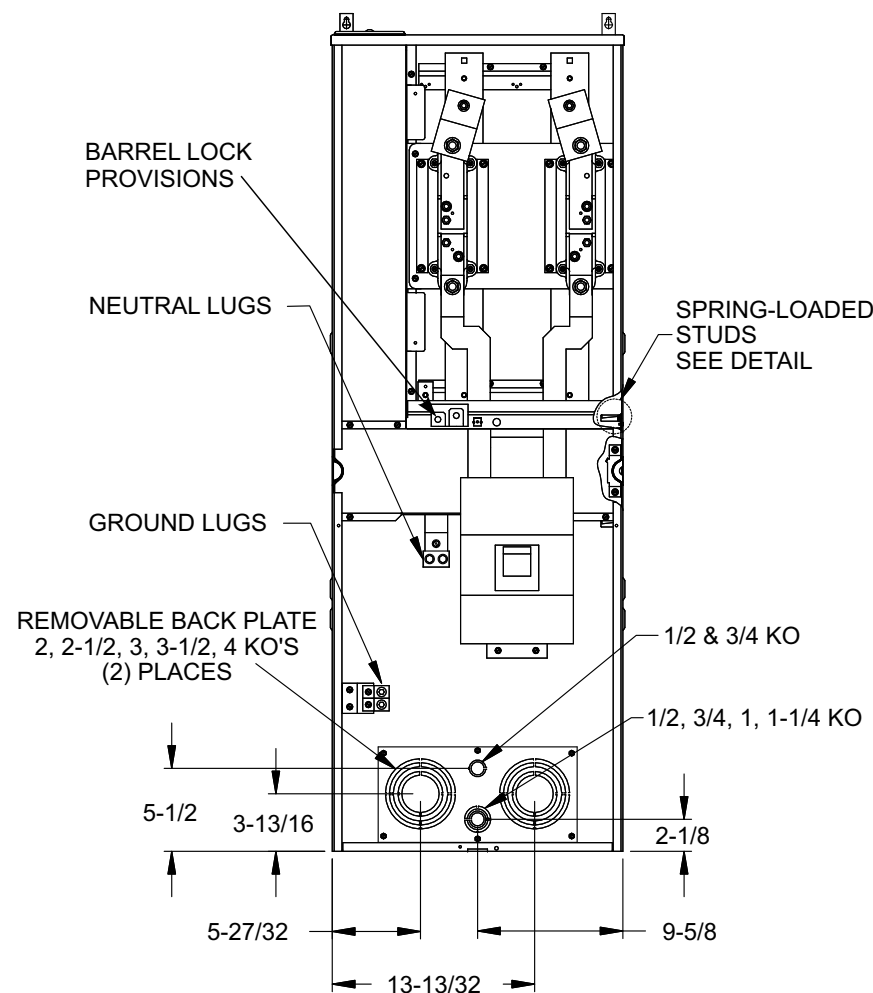
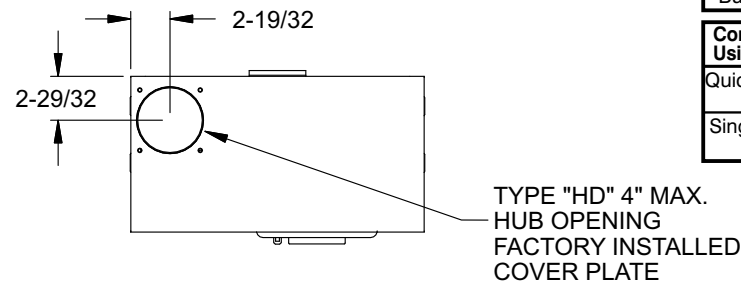
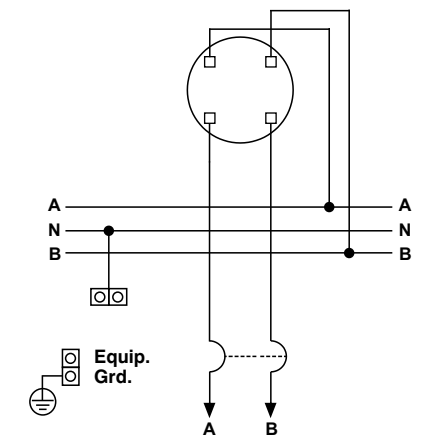
## Additional Modules and Accessories

| FOR USE WITH:      |                          |                  |
|--------------------|--------------------------|------------------|
| Module Description | Siemens Series#          | Murray Series#   |
| Main Breakers      | (W)MC, WB, WEB           | DB W             |
| Switches           | WMP, WMS, WS, WES        | DPT_W, DT_W      |
| Tap/Terminal Boxes | WMTB, WTB, WET           | DTB_W            |
| Meter Module       | WMM, WxMM, WMT, WML, WMK | DG_W, DC_W, DL_W |
| Extension Box      | WMEX, WSP                | DS               |
| Bussed Elbow       | (W)BE                    | DL               |

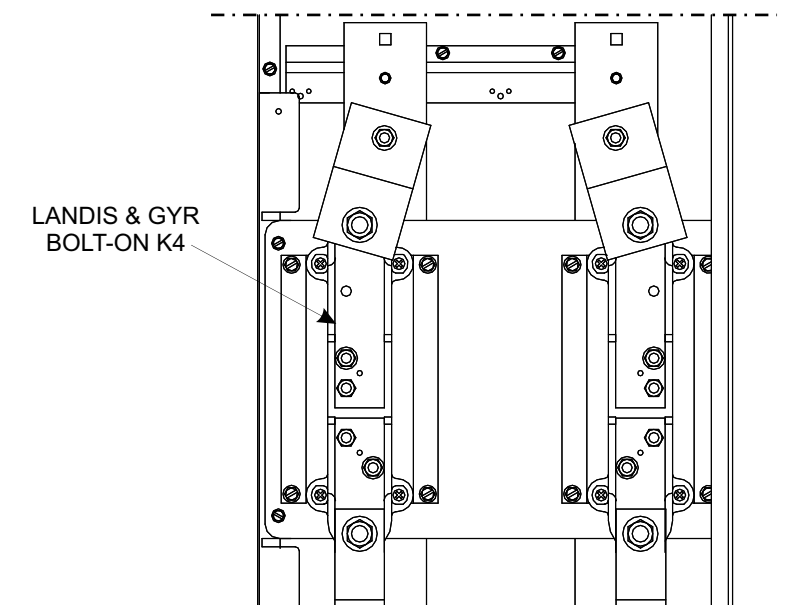
| Siemens Accessory  | Catalog No. |
|--------------------|-------------|
| Hub Cover Plate    | EC56933S    |
| Type HD Hub 2"     | EC56854     |
| Type HD Hub 2-1/2" | EC56855     |
| Type HD Hub 3"     | EC56856     |
| Type HD Hub 3-1/2" | EC56857     |
| Type HD Hub 4"     | EC56858     |

| Connect Modules Using: | Catalog Number / Torque  |
|------------------------|--|
| QuickConnect           | QC1 (1ph) or QC4 (3ph)<br>400-440 lb-in (35-36 ft.-lb.) Torque   |
| Single Bolt Joint      | SBJ1 (1ph) or SBJ4 (3ph)<br>400-480 lb-in (35-40 ft.-lb.) Torque |

## Schematic



## Enlarged Socket Detail



© 2010 Copyright Siemens Industry, Inc.

Siemens Industry, Inc.  
Building Technologies Division

### PowerMod™ Modular Metering

Description: **K-Base 1 Position 600A Tenant 1in-1out Commercial Metering Module**

|        |     |          |                  |                                   |
|--------|-----|----------|------------------|-----------------------------------|
| Size B | 10  | Dwg. No. | <b>WMK11600R</b> |                                   |
| Dwn    | KAM | Date     | 3/31/10          | DO NOT SCALE DRAWING SHEET 1 OF 1 |