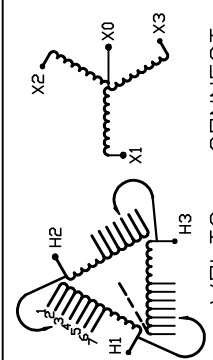




| REVISION | DATE | BY | DATE | BY |
|----------|------|---------|----------|----|
| | | DRAWN | 18/01/30 | RM |
| | | CHEK'D | | |
| | | VERIF'D | | |

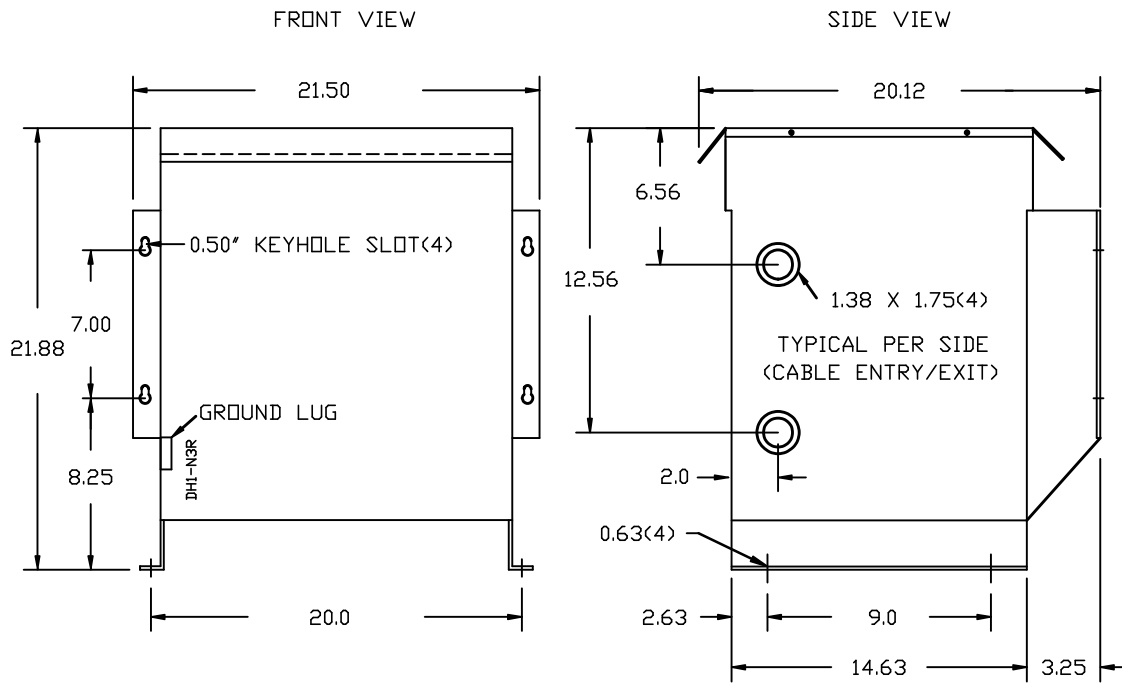
| | | | |
|-----------|--------------|------------------------|-----------|
| CUSTOMER | | Siemens Industry, Inc. | |
| ORDER NO. | DWG. NO. | | |
| | 3B3Y015ESD16 | | SH 1 OF 3 |

SIEMENS

| | | |
|----------------------------------------------------------------------------------------------------------------------------------------------------------------------------------------------------------------------------------------------------------------------------------------------------------------------------------------------------------------------------------------------------------------------------------------------------------------------------------------------------------------------------------------------------------------------------------------------------------------------------------------------------------------------------------------------------------------------------------------------------------------------------------|-----------------------------------------------------------------------------------------------------------------------------------------------------------------------------------------------------------------------------------------------------------------------------------------------------------------------------------------------------------|--------------------------------------------------------------------------------------------------------------------------------------------------------------------------------------------------------------------------------------------------------------------------------------------------------------------------------------------------------------------------------------------------------------------------------------------------------------------------------------------------------------------------------------------------------------------------|
| <p>CATALOG NO. 3B3Y015ESD16 SERIAL NO. 15 KVA 60 Hz 3 PHASE 3.8 % IMP AT 170 °C</p> <p>150 °C RISE 30 °C AVG. AMBIENT 220 °C TEMP CLASS 40 °C MAX. AMBIENT</p> <p>PRIMARY < H1 H2 H3 > 208 V 10kV BIL SECONDARY< X0 X1 X2 X3 > 208Y/120 V 10kV BIL</p> <p>WINDING MATERIAL CU/AL</p> <p>ENCLOSURE TYPE 3R WEIGHT 220 LBS</p> <p>ENERGY EFFICIENCY EXCEEDS CSA 802.2-2012 DOE 10 CFR PART 431:2016</p> <p>SPACINGS BETWEEN ANY VENTILATED ENCLOSURE PANEL AND ANY ADJACENT WALL SHALL BE A MINIMUM OF 3 INCHES ELECTROSTATIC SHIELD</p> <p>SUITABLE FOR INDOOR OR OUTDOOR LOCATIONS BEFORE HANDLING, INSTALLING AND OPERATING, SEE INSTRUCTION MANUAL</p> <p>NEMA Class ANN Dry Type Transformer</p> | <p style="text-align: center;">SERIES H</p>  <p style="text-align: center;">CONNECT</p> <p style="text-align: center;">1 2 3 4 5 6 7</p> <p style="text-align: center;">VOLTS</p> <p style="text-align: center;">218 213 208 203 198 192 187</p> | <p style="text-align: center;">TYPE K</p> <div style="display: flex; justify-content: space-around; align-items: center;">  <p>LISTED</p>  </div> <p>DRY TYPE TRANSFORMER E112313 LR 3902</p> <p>SEISMIC QUALIFICATIONS, FLOOR MOUNT ONLY IBC 2012/ASCE 7-10 Z/h=1 Ip=1.5 SDSX=2.0g</p> <p style="text-align: right;">Siemens Industry, Inc. Norcross, GA</p> |
|----------------------------------------------------------------------------------------------------------------------------------------------------------------------------------------------------------------------------------------------------------------------------------------------------------------------------------------------------------------------------------------------------------------------------------------------------------------------------------------------------------------------------------------------------------------------------------------------------------------------------------------------------------------------------------------------------------------------------------------------------------------------------------|-----------------------------------------------------------------------------------------------------------------------------------------------------------------------------------------------------------------------------------------------------------------------------------------------------------------------------------------------------------|--------------------------------------------------------------------------------------------------------------------------------------------------------------------------------------------------------------------------------------------------------------------------------------------------------------------------------------------------------------------------------------------------------------------------------------------------------------------------------------------------------------------------------------------------------------------------|



3B3Y015ESD16



All Dimensions in inches

ENCLOSURE COLOR :ANSI-61 GREY PAINT OUTDOOR

H.V.1. TERMINAL DETAIL L.V.1. TERMINAL DETAIL

MECHANICAL TYPE LUGS INCLUDED
SUITABLE FOR #14-2 CU/AL
CONDUCTORS
1 CONDUCTOR PER PHASE

MECHANICAL TYPE LUGS INCLUDED
SUITABLE FOR #14-2 CU/AL
CONDUCTORS
1 CONDUCTOR PER PHASE

CUSTOMER NOTES:

- HV1 TERMINATED AT TOP FRONT
- LV1 TERMINATED AT BOTTOM FRONT

Siemens Industry, Inc.

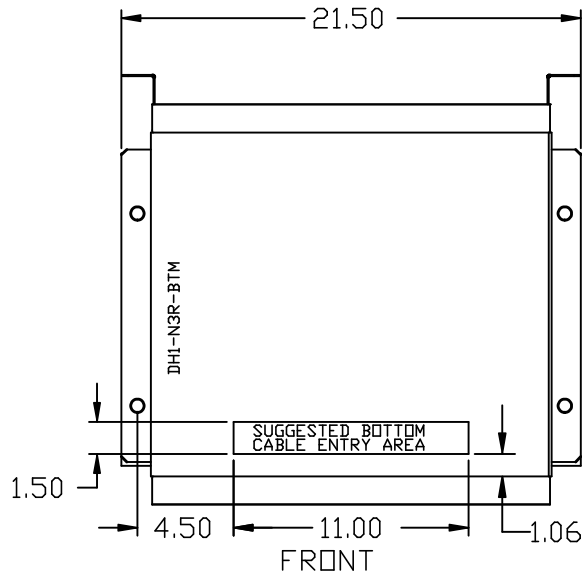
| REVISION | DATE | BY | DATE | BY | CUSTOMER |
|----------|------|----|----------|----|----------|
| | | | 18/01/30 | RM | |
| | | | | | |
| | | | | | |
| | | | | | |

ORDER NO. DWG. NO. SH 2 OF 3

3B3Y015ESD16

00 root 2019/06/19 15:13

ENCLOSURE BOTTOM VIEW



NOTE:
 WHEN BOTTOM CABLE ENTRY IS OPTED, THE SPACE USED FOR CONDUITS IN THE FRONT OF THE TRANSFORMER SHOULD NOT OBSTRUCT MORE THAN 50% OF THE FRONT AIR INTAKE AREA DEFINED BETWEEN THE BOTTOM PLATE AND THE SUPPORTING LEGS. SEE MANUAL FOR ADDITIONAL INFORMATION

Siemens Industry, Inc.

| REVISION | DATE | BY | DATE | BY |
|----------|------|----|----------|----|
| | | | 18/01/30 | RM |
| | | | | |
| | | | | |

| | | |
|-----------|--------------|-----------|
| CUSTOMER | | |
| ORDER NO. | DWG. NO. | |
| | 3B3Y015ESD16 | SH 3 OF 3 |