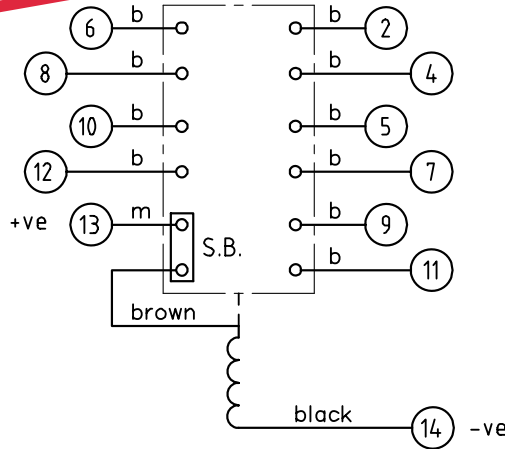


LOOKING ON FRONT OF RELAY

**FOR INTERNAL USE ONLY
UNCONTROLLED COPY
NOT SUBJECT TO UPDATE**



**CREATED 04/05/2020
WORKS STANDARD
IF IN DOUBT ASK**

KEY

- make contact
- break contact
- c/o contact
- ext. conn
- plug bridge - shorting
- metering point
- 5Kv barrier
- test socket - shorting
- plug & socket

ASSEMBLY WIRES USED

b	2107B10001	10 OFF
m	2107D10181	1 OFF

COIL	2112G20019	2112G20020	2112G20022	2112G20023	2112G20026	2112G20029
Vdc	24	30	50	60	125	240
CONTACT CONFIG.	5M 1SB	4M 1B 1SB	3M 2B 1SB	2M 3B 1SB	1M 4B 1SB	5B 1SB
OUTPUT CONTACT PAIR / TERMINAL No.	1-3	2-4	5-7	6-8	9-11	10-12
	M	M	M	M	M	M
	B	M	M	M	M	M
	B	M	B	M	M	M
	B	B	B	M	M	M
	B	B	B	M	B	B
	B	B	B	B	B	B

NOTE: WHEN RECTIFIER IS SPECIFIED COIL CONNS AND ADDITIONAL WIRES ARE AS SHOWN.

FRAME REFERENCE: E2FAQM.
 FRAME TERMINAL BLOCK ASSY: -
 ASSEMBLY INSTRUCTIONS: -
 TYPICAL ASSEMBLY DRAWING 2995G10032.
 AT INDICATED POSITIONS FIT AS FOLLOWS:
 T - FIT TRIP ISOLATION CONTACT 2995B10053
 S - FIT STANDARD CONTACT 2995B10054
 SECURE CONTACTS USING FIXING SCREW 2109F99009.
 POSITIONS SHOWN BLANK ARE UNUSED

2	T		1
4	T		3
6	T	T	5
8	T	T	7
10	T	T	9
12	T	T	11
14	S	S	13
16			15
18			17
20			19
22			21
24			23
26			25
28			27

VIEW FROM NUMBERED SIDE OF BLOCK

OUTER TERMINAL BLOCK ASSY: -
 ASSEMBLY INSTRUCTIONS: -
 TYPICAL ASSEMBLY DRAWING 2995G10029.
 AT INDICATED POSITIONS FIT AS FOLLOWS:
 S - FIT STANDARD CONTACT 2995B10051
 HC - FIT 'HEAVY CURRENT' KIT 2995G10030
 WHERE IS SHOWN FIT CT SHORTING KIT 2995G10031
 POSITIONS SHOWN BLANK ARE UNUSED.
 ALL POSITIONS FIT SCREW 2106F12506.

2	S		1
4	S		3
6	S	S	5
8	S	S	7
10	S	S	9
12	S	S	11
14	S	S	13
16			15
18			17
20			19
22			21
24			23
26			25
28			27

VIEW FROM INSIDE FACE

4 N.C 19/06/15 MN112/3882 LD 3 RDW 09/10/12 MN112/3556 JB 2 RDW 16/01/04 MN112/2606 1 27/04/99	Title: T.B. AND W.D. FOR AR112SB 6 CONTACT RELAYS IN EPSILON E2 CASE.		First used on:	
	Reyrolle Protection Hebburn.		Similar Articles:	
	Original Scale.		Supersedes:	
	Drg.No. 2112W50084		Drg.No.	
DRAWN: A.LAW.	CHECKED:	APPROVED: R.D.WATSON	DATE: 17/07/02	Copyright © 2015 Reyrolle Ltd.