



Hammond Power Solutions Inc.

TITLE: 3PH DISTRIBUTION TRANSFORMER
NAMEPLATE INFORMATION

1	16/08/23	PP	DESIGN UPDATE	DES: PPICASSI
NO.	DATE	BY	REVISION	SCALE: NTS

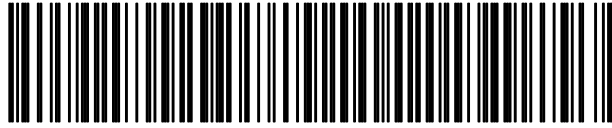
SHEET 1 OF 2

EDB 3F3Y112K13FCLN3D16

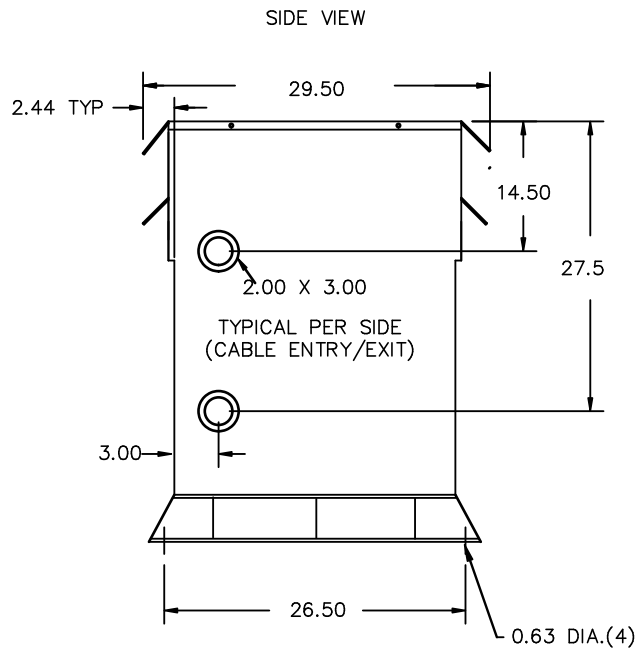
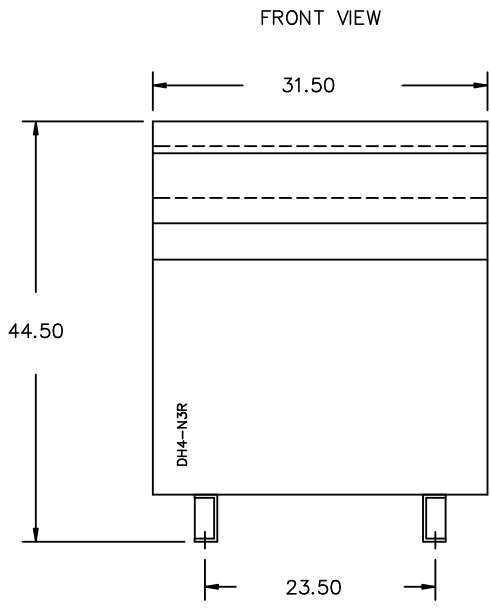
1.0 ppicassinos 2016/08/23 14:51

SIEMENS

CATALOG NO. 3F3Y112K13FCLN3D16 SERIAL NO. SERIES H 112.5 kVA 60 Hz 3 PHASE 3 % IMP AT 135 °C			
115 °C RISE	30 °C AVG. AMBIENT	VOLTS CONNECT	
220 °C TEMP CLASS	40 °C MAX. AMBIENT	504	1
PRIMARY (H1 H2 H3)	480V V 10 kV BIL	492	2
SECONDARY(X0 X1 X2 X3)	208Y/120V V 10 kV BIL	480	3
WINDING MATERIAL	CU	468	4
ENCLOSURE TYPE 3R	WEIGHT 980 LBS	456	5
ENERGY EFFICIENCY C802.2-2012	DOE 10 CFR PART 431:2016	444	6
SPACINGS BETWEEN ANY VENTILATED ENCLOSURE PANEL AND ANY ADJACENT WALL SHALL BE A MINIMUM OF 5 INCHES EXCEPT WHEN WALL MOUNTED USING APPROVED WALL MOUNTING KIT ELECTROSTATIC SHIELD SOUND LEVEL IS 3 DB LOWER THAN NEMA ST20 REQUIREMENTS		TYPE K DRY TYPE TRANSFORMER 7715 E112313 LR 3902 LISTED	
SUITABLE FOR NONSINUSOIDAL CURRENT LOAD WITH K-FACTOR NOT TO EXCEED K-13 SUITABLE FOR INDOOR OR OUTDOOR LOCATIONS BEFORE HANDLING, INSTALLING AND OPERATING; SEE INSTRUCTION MANUAL NEMA Class ANN Dry Type Transformer		SEISMIC QUALIFICATIONS, FLOOR MOUNT ONLY OSP-0136-10 IBC 2012/ASCE 7-10 SDS<=2.0g z/h=1 Ip=1.5	
Siemens Industry, Inc. Norcross, GA		6840087e	



3F3Y112K13FCLN3D16



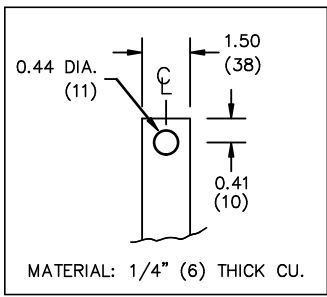
All Dimensions in inches

ENCLOSURE COLOR :ANSI 61 GREY – OUTDOOR

H.V.1. TERMINAL DETAIL

L.V.1. TERMINAL DETAIL

MECHANICAL TYPE LUGS INCLUDED
SUITABLE FOR 250MCM-6 CU/AL
CONDUCTORS
1 CONDUCTOR PER PHASE



- CUSTOMER NOTES:
- HV1 TERMINATED AT TOP FRONT
 - LV1 TERMINATED AT BOTTOM FRONT



TITLE: 3PH DISTRIBUTION TRANSFORMER				
1	16/08/23	PP	DESIGN UPDATE	DES: PPICASSI
NO.	DATE	BY	REVISION	SCALE: NTS

SHEET 2 OF 2
 EDR 3F3112K13FCINSDM6
 1.0 ppicassino 2016/08/23 14:51