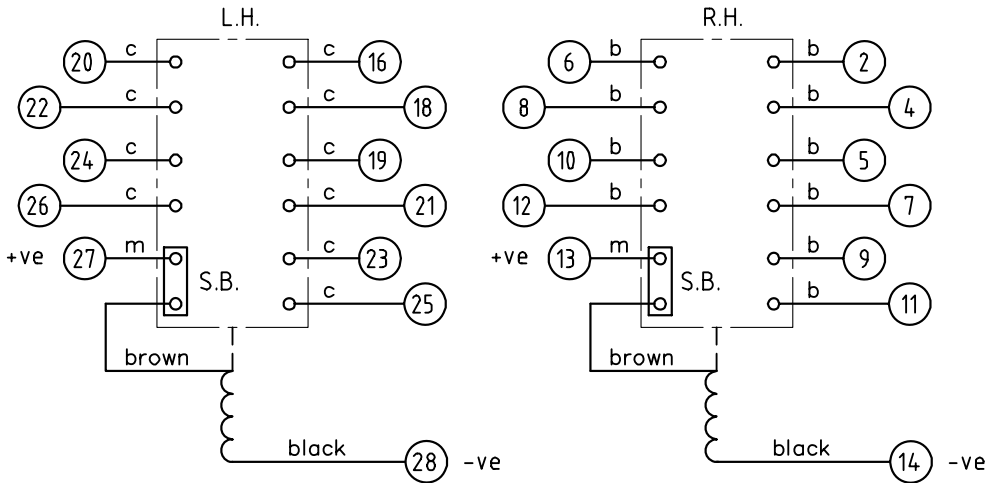


LOOKING ON FRONT OF RELAY

2112W50081



**FOR INTERNAL USE ONLY  
UNCONTROLLED COPY  
NOT SUBJECT TO UPDATE**

**CREATED 04/05/2020  
WORKS STANDARD  
IF IN DOUBT ASK**

KEY

- make contact
- break contact
- c/o contact
- ext. conn
- plug bridge
- shorting
- metering point
- 5Kv barrier
- test socket
- shorting
- plug & socket

COIL	2112G20019	2112G20020	2112G20022	2112G20023	2112G20026	2112G20029
Vdc	24	30	50	60	125	240
CONTACT CONFIG.	OUTPUT CONTACT PAIR / TERMINAL No.					
R.H. →	1-3	2-4	5-7	6-8	9-11	10-12
L.H. →	15-17	16-18	19-21	20-22	23-25	24-26
5M 1SB		M	M	M	M	M
4M 1B 1SB		B	M	M	M	M
3M 2B 1SB		B	M	B	M	M
2M 3B 1SB		B	B	B	M	M
1M 4B 1SB		B	B	B	M	B
		B	B	B	B	B

NOTE: WHEN RECTIFIER IS SPECIFIED COIL CONNS AND ADDITIONAL WIRES ARE AS SHOWN.

ASSEMBLY WIRES USED		
b	2107B10002	10 OFF
c	2107B10003	10 OFF
m	2107D10181	2 OFF

FRAME REFERENCE: E4FS09.

FRAME TERMINAL BLOCK ASSY: -

ASSEMBLY INSTRUCTIONS: -

TYPICAL ASSEMBLY DRAWING 2995G10032.

AT INDICATED POSITIONS FIT AS FOLLOWS:

T - FIT TRIP ISOLATION CONTACT 2995B10053

S - FIT STANDARD CONTACT 2995B10054

SECURE CONTACTS USING FIXING SCREW

2109F99009.

POSITIONS SHOWN BLANK ARE UNUSED

2	T		1
4	T		3
6	T	T	5
8	T	T	7
10	T	T	9
12	T	T	11
14	S	S	13
16	T		15
18	T		17
20	T	T	19
22	T	T	21
24	T	T	23
26	T	T	25
28	S	S	27

VIEW FROM NUMBERED SIDE OF BLOCK

OUTER TERMINAL BLOCK ASSY: -

ASSEMBLY INSTRUCTIONS: -

TYPICAL ASSEMBLY DRAWING 2995G10029.

AT INDICATED POSITIONS FIT AS FOLLOWS:

S - FIT STANDARD CONTACT 2995B10051

HC - FIT 'HEAVY CURRENT' KIT 2995G10030

WHERE IS SHOWN FIT CT SHORTING

KIT 2995G10031

POSITIONS SHOWN BLANK ARE UNUSED.

ALL POSITIONS FIT SCREW 2106F12506.

2	S		1
4	S		3
6	S	S	5
8	S	S	7
10	S	S	9
12	S	S	11
14	S	S	13
16	S		15
18	S		17
20	S	S	19
22	S	S	21
24	S	S	23
26	S	S	25
28	S	S	27

VIEW FROM INSIDE FACE

Copyright © 2015 VA TECH Reyrolle Ltd. Hebburn

Title: T.B. AND W.D. FOR AR212SB 6 CONTACT RELAYS IN EPSILON E4 CASE.			First used on:		
5 N.C 19/06/15 MN112/3882			Similar Articles:		
4 RDW 10/07/12 MN11C/3479			Supersedes:		
3 RDW 16/01/04 MN112/2606			Drg.No.		
2 12/04/00 MN995/09			2112W50081		
ISSUE	DATE	MOD.No.	VA TECH Reyrolle AUTOMATION, CONTROL & PROTECTION		Original Scale:
DRAWN: A.LAW.	CHECKED:	APPROVED: R.D.WATSON	DATE: 17/07/02	IE:	OPS: