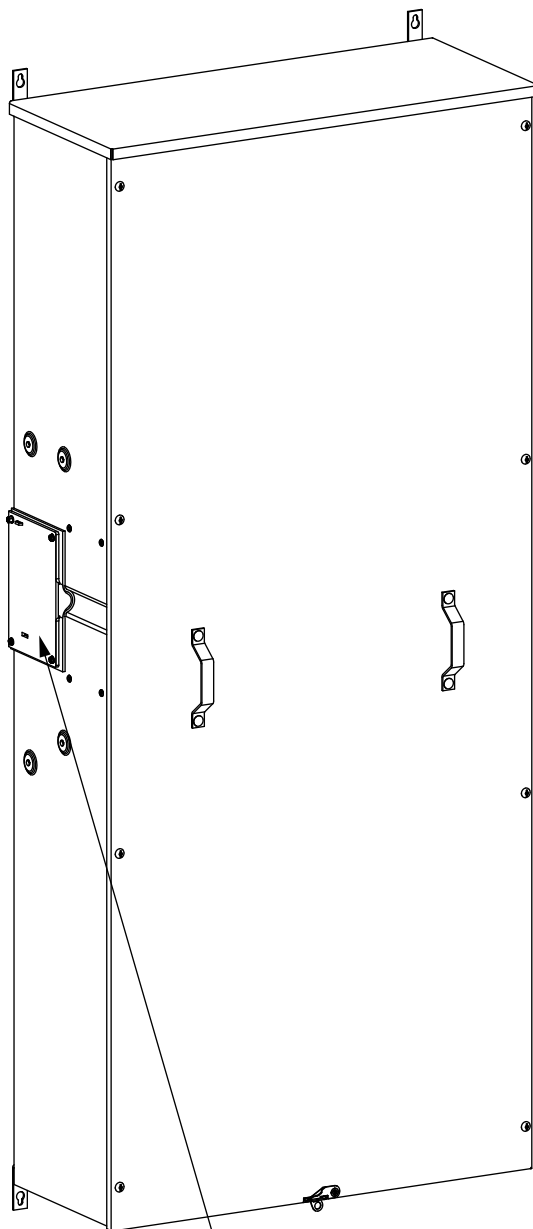
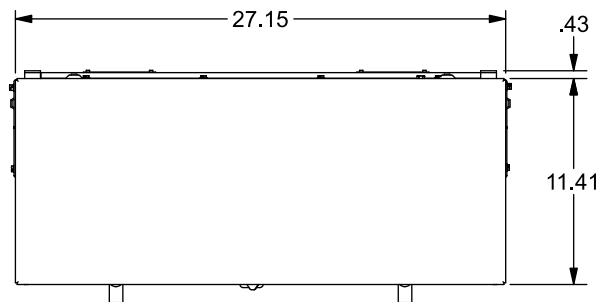
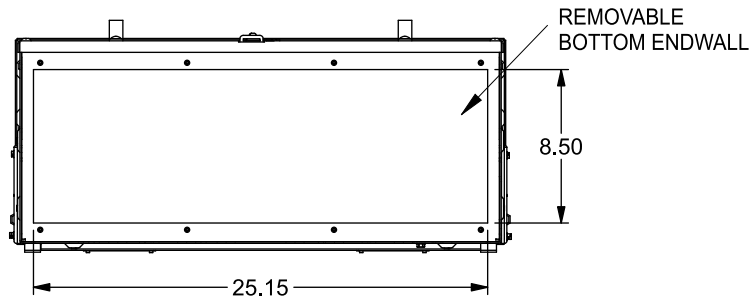
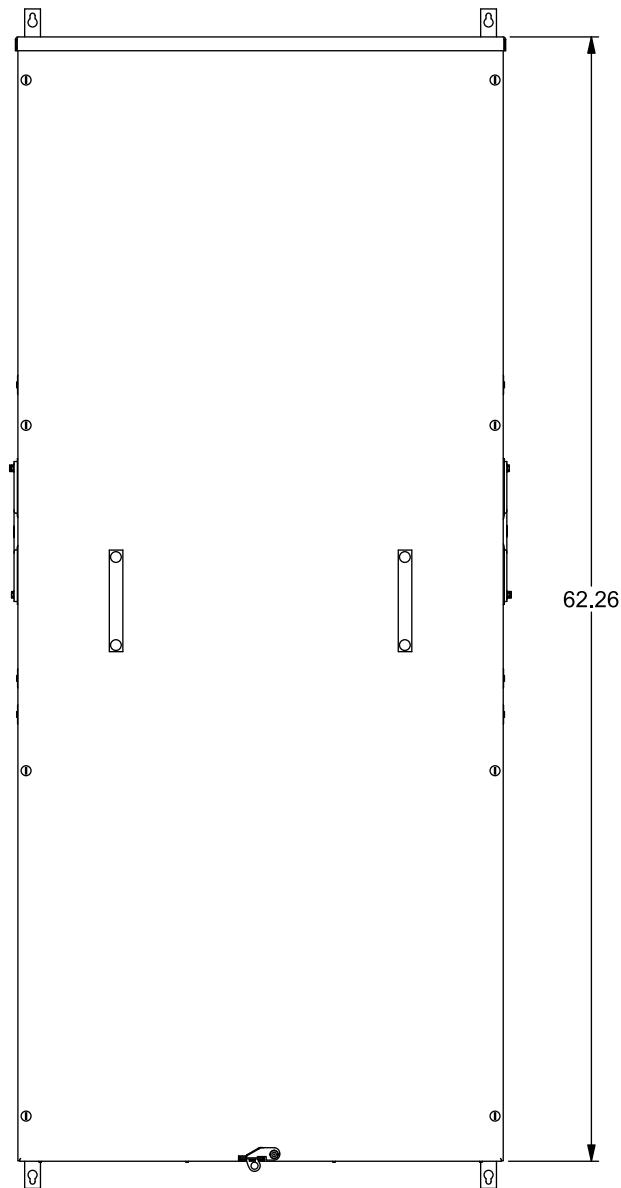


## Features and Ratings

- MODULE RATING: 800 AMPS, 240V AC MAX.,
- 3 PHASE
- 100,000 AIC RATING MAX,  
SEE DIAGRAM FOR DETAILS
- TYPE 3R OUTDOOR ENCLOSURE
- FOR OVERHEAD OR UNDERGROUND SERVICE
- MOUNTING RAILS AND ADJUSTABLE BRACKETS  
FOR SECURE MOUNTING



END PLATE  
INSTALLED  
(BOTH SIDES)

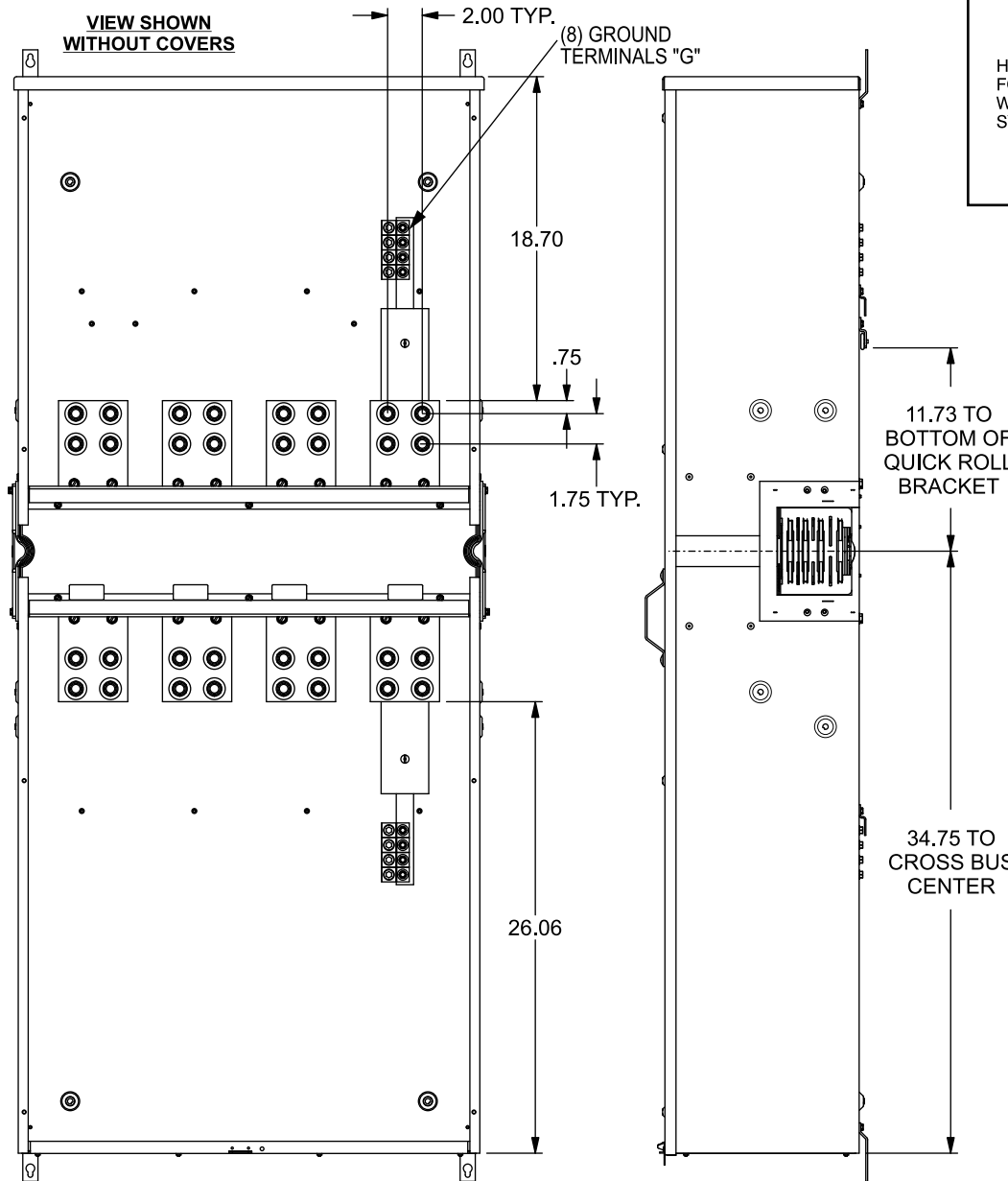


REMOVABLE  
BOTTOM ENDWALL

## Lug Kits and Replacement Parts

Lugs for Phase and Neutral Connections (not supplied)						
Lug No.	①	MFG	Wire Range	Type	No. Wires per phase	Torque (lb.-in.)
LK32600N2		Siemens	#2-600 kcmil	Mechanical	2	500
LK32750N2		Siemens	300-750 kcmil	Mechanical	2	500
LK33500N2		Siemens	1/0-500 kcmil	Mechanical	3	500 ②
LK34500N2		Siemens	1/0-500 kcmil	Mechanical	4	500
2ACL-500		ILSCO	500 kcmil	Compression	3	NA ③
2ACL-600		ILSCO	600 kcmil	Compression	2	NA ③
2ACL-750		ILSCO	750 kcmil	Compression	2	NA ③

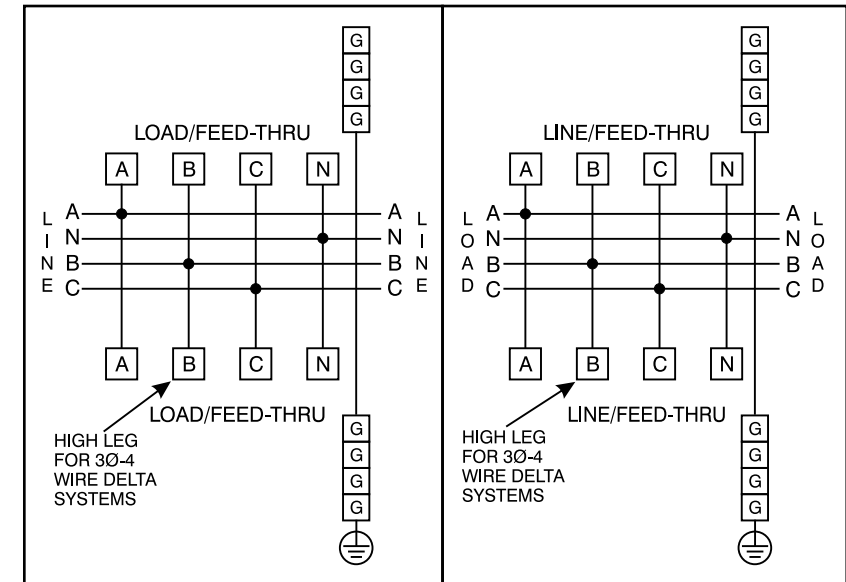
- ① Order one mechanical lug kit for mains and neutral. Contact lug manufacturer for compression lug quantities supplied for each kit.
- ② Kit contains more than one lug type.
- ③ See lug manufacturer's instruction sheet supplied with the connector for tool, die, and number of crimps.



VIEW SHOWN  
WITHOUT COVERS

(8) GROUND  
TERMINALS "G"

## Schematic



**Terminals A, B, C and N:**  
See Lug Chart for applicable lug kits, wire size and torque information.

**Ground Terminal G:** Wire size #4-300 kcmil.  
Torque terminal to 250 lb.-in.

## Additional Modules

**IMPORTANT - for use with:**

Module Description	Siemens Series#
Main Breakers	WB(M), WEB(M), WXB, BFT
Switches	WMP, WS, WES, WXS
Tap/Terminal Boxes	WTB, WET, WT_PU, WTBN, WBT
Pull Boxes	WMMB
Meter Module	(W)MM, (W)MT, (W)ML, (W)MK, (W)MLZ(F), (W)MN
Meter Combinations	WC, WCL, WCT,
Extension Box	WSP, WSPD
Bussed Elbow	BE, WELB

**Connect Modules Using:** Cat. No. Torque  
Quick Connect QC4 400-440 lb-in (35-36 ft.-lb.)

## Accessories

Siemens Accessories	Catalog Number
Hub Cover Plate	EC56933S
Type HD Hub 2"	EC56854
Type HD Hub 2-1/2"	EC56855
Type HD Hub 3"	EC56856
Type HD Hub 3-1/2"	EC56857
Type HD Hub 4"	EC56858

© 2018 Copyright Siemens Industry, Inc.

**SIEMENS**  
Siemens Industry, Inc.

## PowerMod™ Feed-Thru Tap Boxes

Description: **800A, 3 Phase, Feed-Thru Tap Box w/No Hub Openings**

KAM 1/31/18 DO NOT SCALE DRAWING Dwg No: **WT3800PUNH**

**Catalog No. WT3800PUNH**