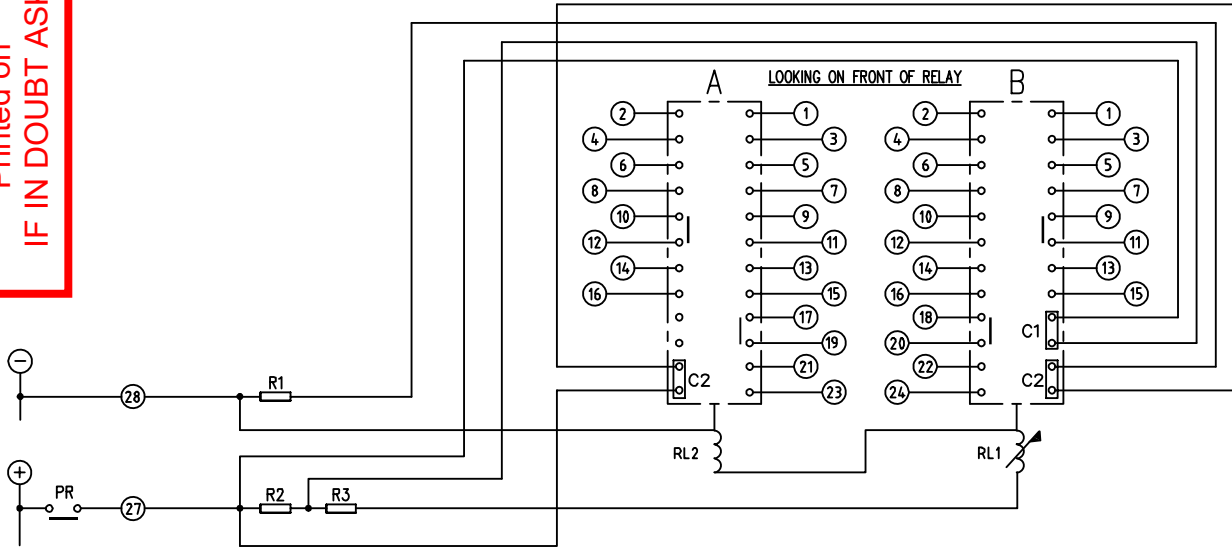


DATE 04/05/2020  
Printed on  
IF IN DOUBT ASK

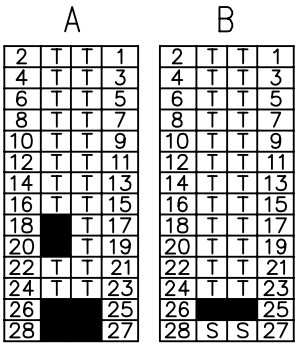
2112W50217



C1 - ECONOMY CONTACT  
C2 - BURDEN CONTACT

CONTACT CONFIG.	A OUTPUT CONTACT PAIR/TERMINAL No.										B OUTPUT CONTACT PAIR/TERMINAL No.									
	1-3	2-4	5-7	6-8	9-11	10-12	13-15	14-16	17-19	21-23	1-3	2-4	5-7	6-8	9-11	10-12	13-15	14-16	18-20	22-24
20M	M	M	M	M	M	M	M	M	M	M	M	M	M	M	M	M	M	M	M	M
19M 1B	M	M	M	M	M	M	M	M	M	M	B	M	M	M	M	M	M	M	M	M
18M 2B	B	M	M	M	M	M	M	M	M	M	B	M	M	M	M	M	M	M	M	M
17M 3B	B	M	M	M	M	M	M	M	M	M	B	B	M	M	M	M	M	M	M	M
16M 4B	B	B	M	M	M	M	M	M	M	M	B	B	M	M	M	M	M	M	M	M
15M 5B	B	B	M	M	M	M	M	M	M	M	B	B	B	M	M	M	M	M	M	M
14M 6B	B	B	B	M	M	M	M	M	M	M	B	B	B	M	M	M	M	M	M	M
13M 7B	B	B	B	M	M	M	M	M	M	M	B	B	B	B	M	M	M	M	M	M
12M 8B	B	B	B	B	M	M	M	M	M	M	B	B	B	B	M	M	M	M	M	M
11M 9B	B	B	B	B	M	M	M	M	M	M	B	B	B	B	M	B	M	M	M	M
10M 10B	B	B	B	B	B	M	M	M	M	M	B	B	B	B	M	B	M	M	M	M
9M 11B	B	B	B	B	B	M	M	M	M	M	B	B	B	B	M	B	B	M	M	M
8M 12B	B	B	B	B	B	M	B	M	M	M	B	B	B	B	M	B	B	M	M	M
7M 13B	B	B	B	B	B	M	B	M	M	M	B	B	B	B	M	B	B	B	M	M
6M 14B	B	B	B	B	B	M	B	B	M	M	B	B	B	B	M	B	B	B	M	M
5M 15B	B	B	B	B	B	M	B	B	M	M	B	B	B	B	M	B	B	B	M	B
4M 16B	B	B	B	B	B	M	B	B	M	B	B	B	B	B	M	B	B	B	M	B

OUTER TERMINAL BLOCK ASSY:-  
T - FIT TRIP ISOLATION CONTACT 2995B10053  
S - FIT STANDARD CONTACT 2995B10054



KEY  
 ○○ make (M) contact  
 □□ break (B) contact  
 ② ext. conn

NOTE  
 CONTACT PAIRS B-(9,11), B-(18,20),  
 A-(10,12) & A-(17,19) ARE ALWAYS MAKE CONTACTS

**FOR INFORMATION ONLY  
 UNCONTROLLED COPY  
 NOT SUBJECT TO UPDATE**

**EU EXPORT CONTROLS** | ECCN: N | AL: N  
 This document is not Export Controlled unless sending to Critical Countries.

1	03/06/13	MOD.No.	Title: TERMINAL BLOCK & WIRING DIAGRAM FOR TR212 20 CONTACT RELAY IN E4 CASE			First used on:	
			<b>SIEMENS PROTECTION DEVICES LTD.</b>			Similar Articles:	
ISSUE						DATE	
DRAWN: J. BURNETT		CHECKED:		APPROVED: N.C		DATE: 07/01/2019	
IE:		OPS:					