

CATALOG NUMBER

WMEP

electricCenter
ACCESSORIES

End Closure Plate

Same As:

■ DEP



INSTALLATION INSTRUCTIONS



⚠ DANGER

Hazardous Voltage.
Will cause death, serious injury
or substantial property damage.

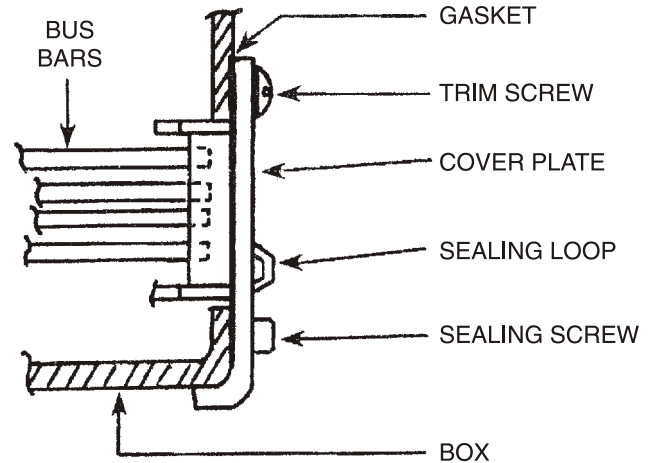
Turn off power supplying this
equipment before working inside.

⚠ SAFETY INSTRUCTIONS

Note: This instruction outlines
the recommended installation
procedure.

1. Turn off and lock off the power supplying this equipment before working inside.
2. This kit is to be used only where specified and required by catalog number on the stack or disconnect label. This kit can be used on indoor or outdoor units.
3. Place new cover plate in position over the cross bus opening on last meter center and over associated service equipment devices if applicable. Using cover plate as a template, check to see if there are (4) mounting holes in box. If these holes are not present, then they will need to be drilled using an 11/64 drill bit.

TYPICAL SECTION VIEW: VIEWING FROM TOP OF DEVICE



4. If unit is an outdoor model, check gasket for damage. If gasket is damaged, thoroughly remove it and replace it with new gasket provided. Indoor units do not require a gasket.
5. Attach cover plate using screws provided as follows: (1) sealing screw positioned next to sealing loop and (3) trim screws in remaining (3) holes. Torque screws to 25-30 lb.-in.
6. See installation instructions for modular metering if additional information is required.