



Breaker Mounting Base
 Base del Montaje del Interruptor
 Base de Support de Disjoncteur

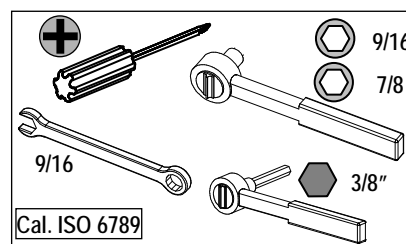
For Use With Frame PG
 Para Usar Con Caja Base PG

Installation Instructions / Instructivo de Instalación

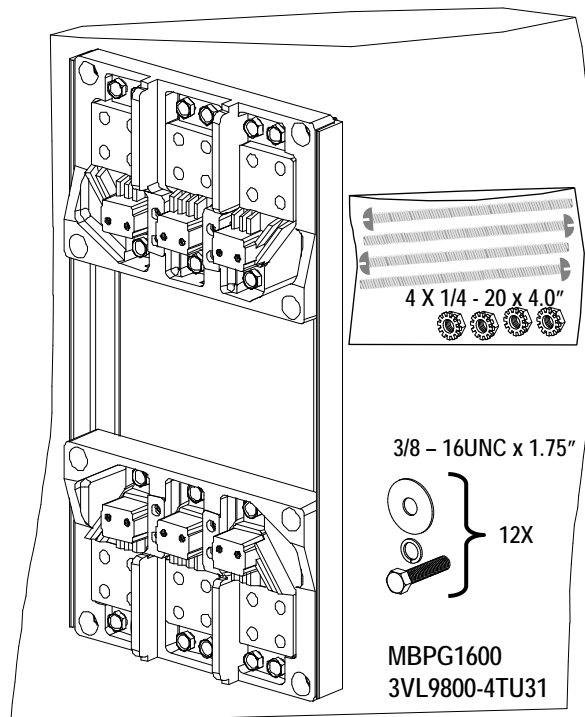
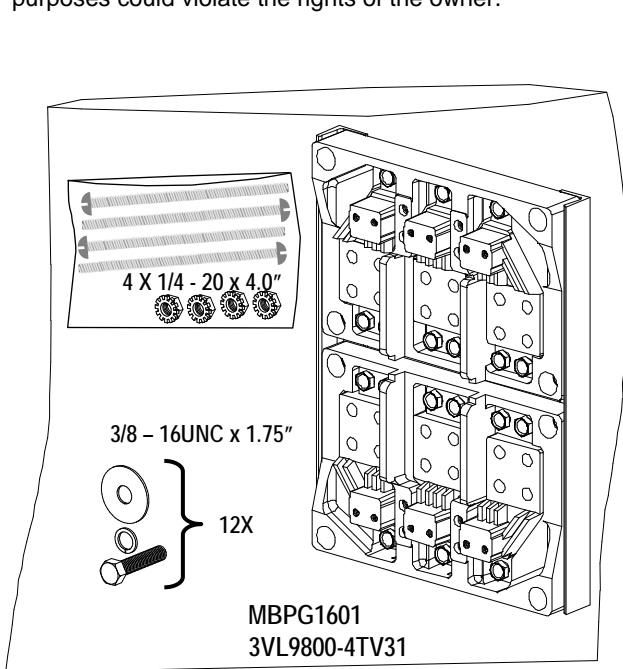
	 Danger	 Peligro	 Danger
	Hazardous Voltage. Will cause death or serious injury. Turn off and lock out all power supplying this device before working on this device. Replace all covers before power supplying this device is turned on.	Tensión peligrosa. Puede causar la muerte o lesiones graves. Desenergice totalmente antes de instalar o darle servicio. Reemplace todas las barreras y cubiertas antes de energizar el interruptor.	Tension dangereuse. Danger de mort ou risque de blessures graves. Couper l'alimentation de l'appareil et barrer avant de travailler. Remplacez tous les couverts avant que l'alprovisionnement de pouvoir soit alimenté.

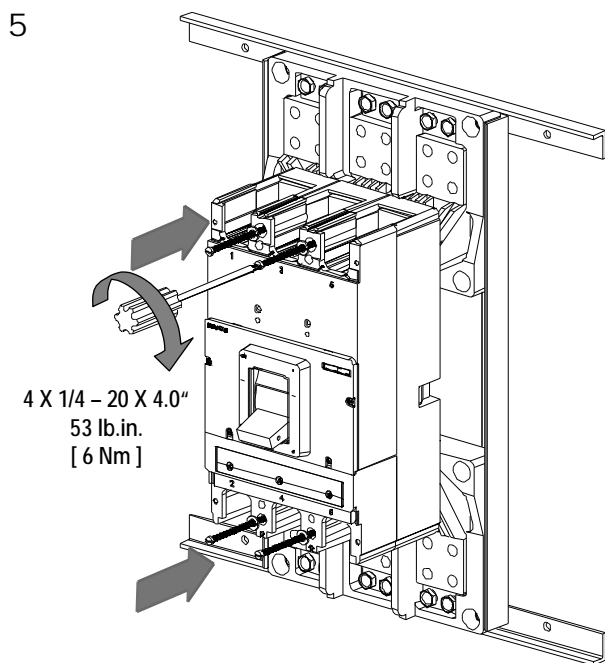
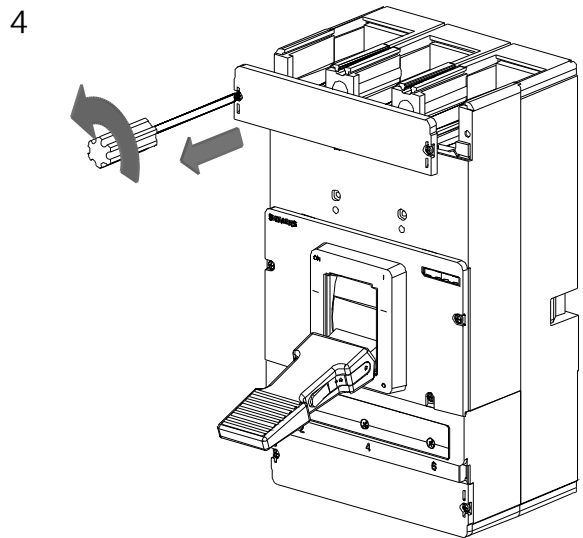
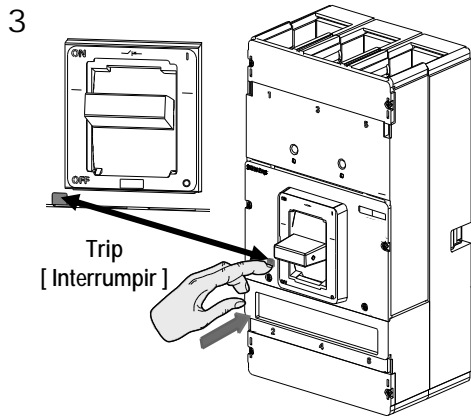
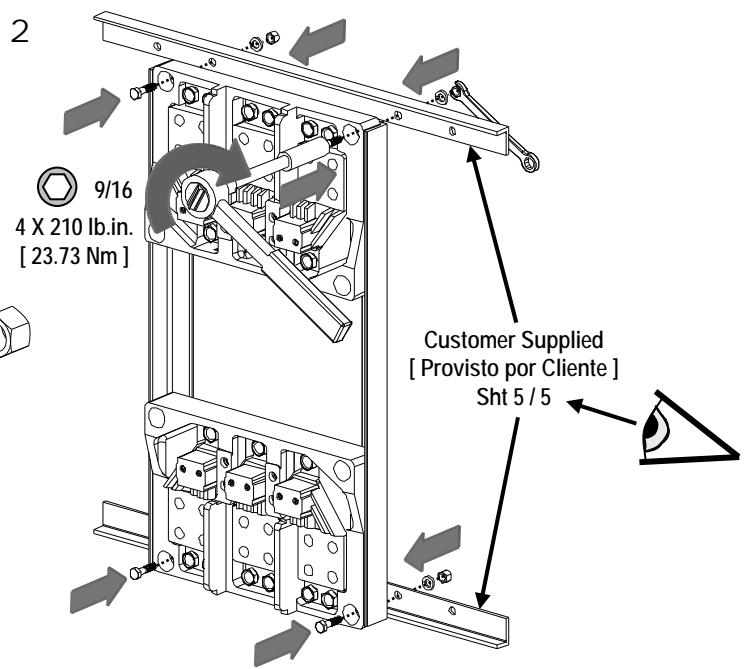
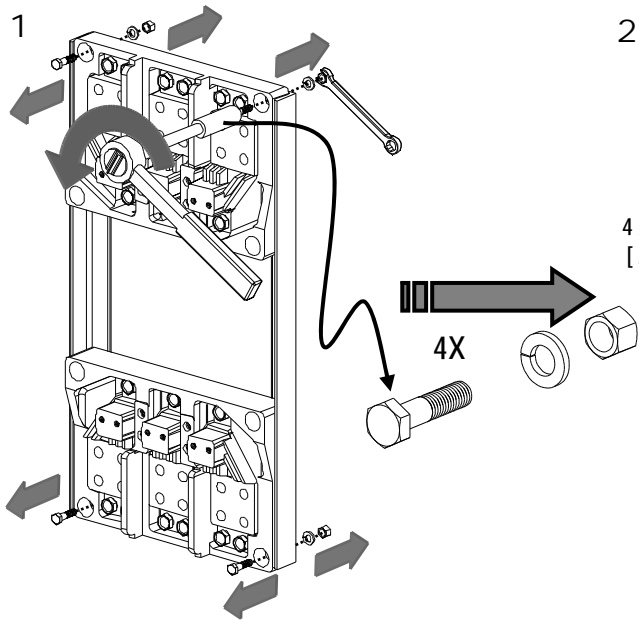
Use only with Siemens certified Components.
 Utilizar únicamente con componentes certificados de Siemens.
 A utiliser uniquement avec les composants certifiés Siemens.

NOTE - These instructions do not purport to cover all details or variations in equipment, or to provide for every possible contingency to be met in connection with installation, operation or maintenance. Should further information be desired or should particular problems arise, which are not covered sufficiently for the purchaser's purposes, the matter should be referred to the local Siemens sales office. The contents of this instruction manual shall not become part of or modify any prior or existing agreement, commitment or relationship. The sales contract contains the entire obligation of Siemens. The warranty contained in the contract between the parties is the sole warranty of Siemens. Any statements contained herein do not create new warranties or modify the existing warranty.



Trademarks - Unless otherwise noted, all names identified by ® are registered trademarks of Siemens AG or Siemens Industry, Inc. The remaining trademarks in this publication may be trademarks whose use by third parties for their own purposes could violate the rights of the owner.







⚠ Danger

Hazardous Voltage.
Will cause death or serious injury.
Turn off and lock out all power supplying this device before working on this device.
Replace all covers before power supplying this device is turned on.

⚠ Peligro

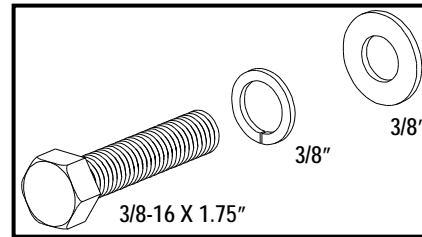
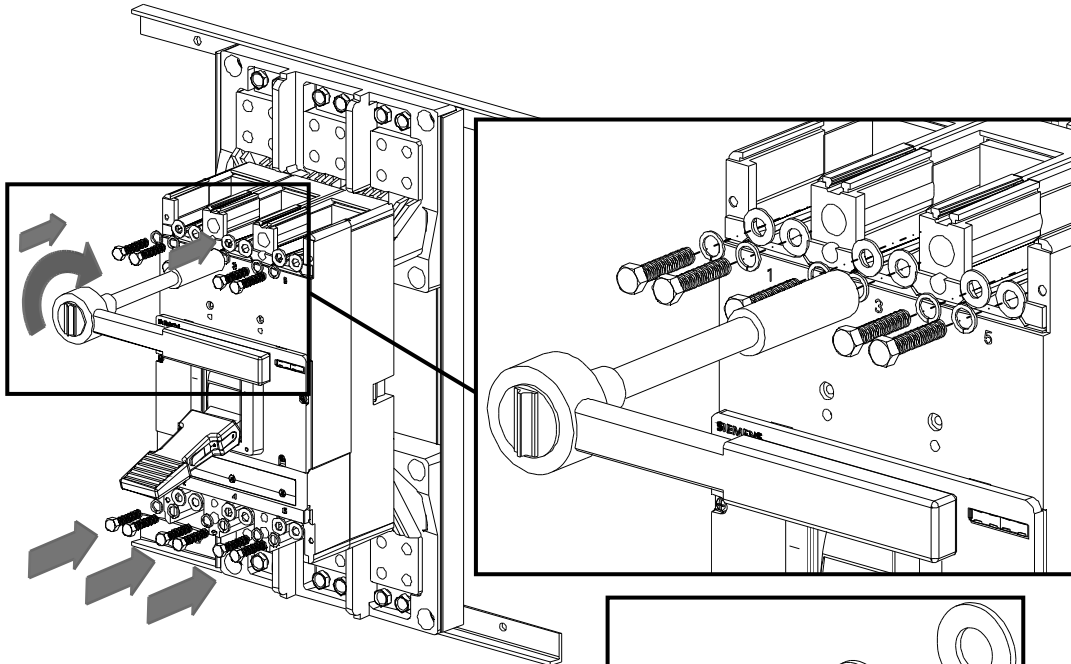
Tensión peligrosa.
Puede causar la muerte o lesiones graves.
Desenergice totalmente antes de instalar o darle servicio.
Reemplace todas las barreras y cubiertas antes de energizar el interruptor.

⚠ Danger

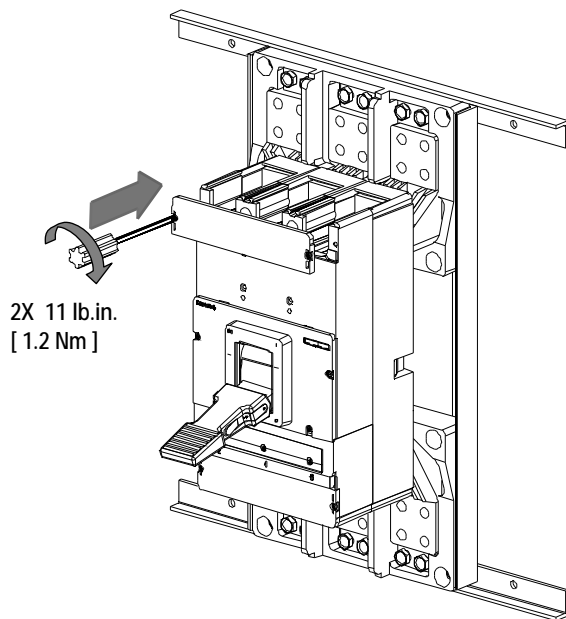
Tension dangereuse.
Danger de mort ou risque de blessures graves.
Couper l'alimentation de l'appareil et barrer avant de travailler.
Remplacez tous les couverts avant que l'alimentation de pouvoir soit alimenté.

6

9/16
12 X 3/8 – 16 X 1.75"
120 lb.in.
[13.86 Nm]

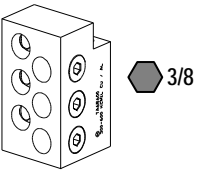
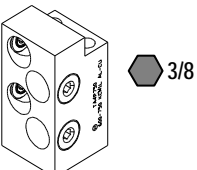
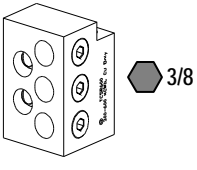
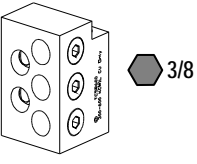


7



2X 11 lb.in.
[1.2 Nm]

Option:
[Opción:]

Wire Connector [Conexión del cable]	Wire Size [Rango Cable]	Req. Wire Stranding UL 486A - 486B (Cable)		Torque [esfuerzo de torsión]		Wire Strip Length [Quitar]
		CU / AL Class B	CU Class C	Connector Mounting Screw [Tornillo para montaje del conector]	Cable Clamping Screw [Tornillo sujetador de cable]	
 TA6R600 3VL9860-4TJ31	300 – 400 kcmil Cu/Al [185 mm ² Cu/Al]	37	61	375 lb.in. [42 Nm]	600 lb.in. [67 Nm]	1.8" [45 mm]
	500 kcmil Cu/Al [240-300 mm ² Cu/Al]					
	600 kcmil Cu/Al	61	91			
 TA4P750 3VL9875-4TH31	600 – 750 kcmil Cu/Al	61	91	300 lb.in. [34 Nm]	480 lb.in. [54 Nm]	1.2" [30 mm]
 TA5P600 3VL9860-4TR01	300 – 400 kcmil Cu/Al [185 mm ² Cu/Al]	37	61	300 lb.in. [34 Nm]	600 lb.in. [67 Nm]	
	500 - 600 kcmil Cu/Al [240 - 300 mm ² Cu/Al]	61	91		780 lb.in. [88 Nm]	
 TC5R600 3VL9860-4TR11	300 –500 kcmil Cu Only [185 - 240 mm ² Cu Solamente]	37	61	375 lb.in. [42 Nm]	600 lb.in. [67 Nm]	1.8" [45 mm]
	600 kcmil Cu Only [300 mm ² Cu Solamente]	61	91			



Danger

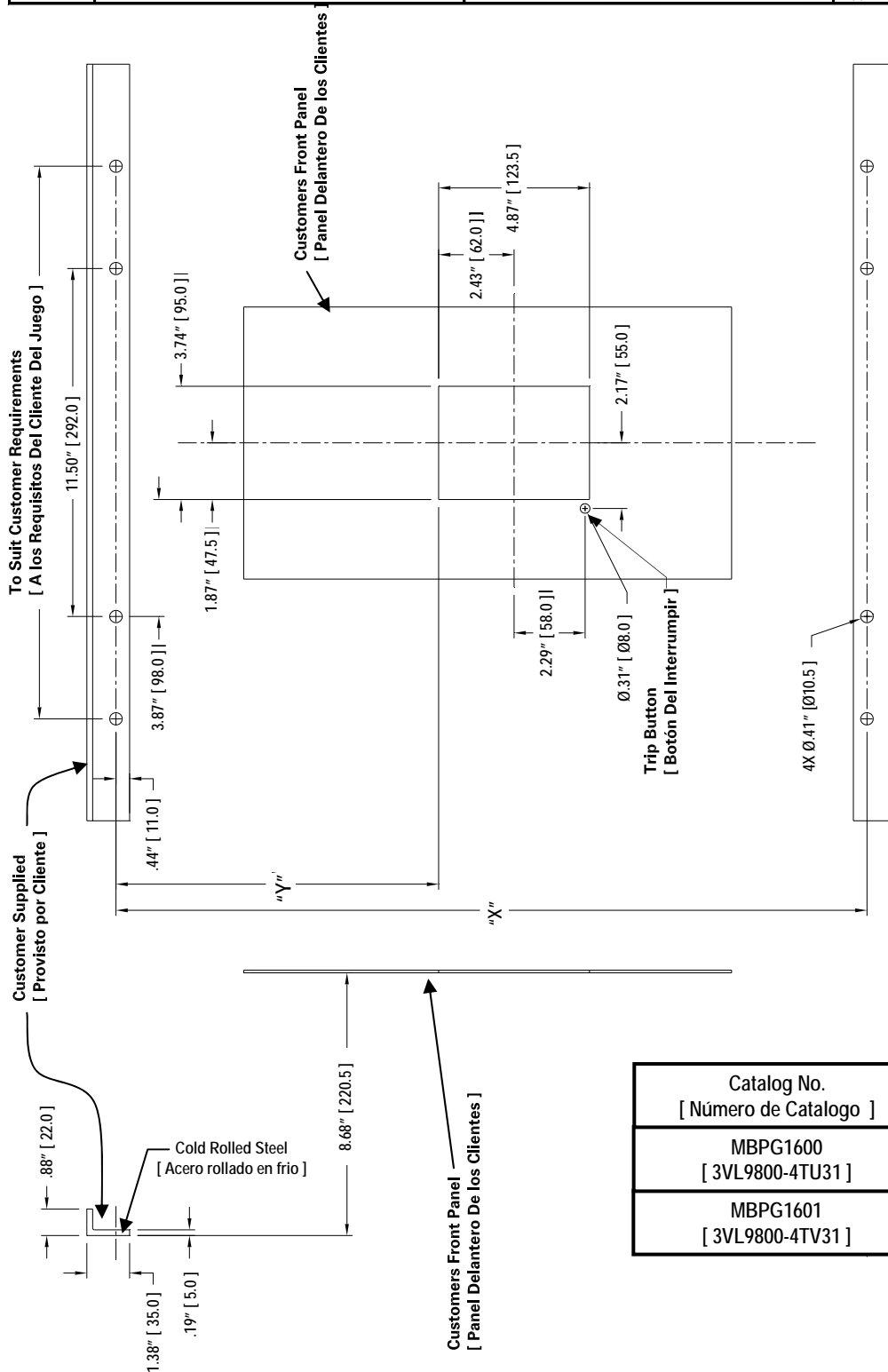
Hazardous Voltage.
Will cause death or serious injury.
 Turn off and lock out all power supplying this device before working on this device.
 Replace all covers before power supplying this device is turned on.

Peligro

Tensión peligrosa.
Puede causar la muerte o lesiones graves.
 Desenergice totalmente antes de instalar o darle servicio.
 Reemplace todas las barreras y cubiertas antes de energizar el interruptor.

Danger

Tension dangereuse.
Danger de mort ou risque de blessures graves.
 Couper l'alimentation de l'appareil et barrer avant de travailler.
 Remplacez tous les couverts avant que l'alimentation de pouvoir soit alimenté.



Catalog No. [Número de Catalogo]	"X"	"Y"
MBPG1600 [3VL9800-4TU31]	24.24" [616.0]	10.41" [264.0]
MBPG1601 [3VL9800-4TV31]	17.47" [444.0]	7.03" [180.0]

For Support in Europe refer to :

Bestell-Nr. / Order No.: 3ZX1012-0VL68-2BA8

Internet: www.siemens.de/lowvoltage/technical-assistance

GWA 4NEB 179 6952-10 DS 03

Technical Support:

Toll Free: 1-800-241-4453

Internet: www.usa.siemens.com/powerdistribution

Subject to change without prior notice
Siemens Industry, Inc., Norcross, GA 30092 U.S.A.