

# SIEMENS

Data Sheet

## VBI Heavy Duty Safety Switch

30A, 600V, Type 3R

[usa.siemens.com/switches](http://usa.siemens.com/switches)



### Standards and Ratings

- UL Listed under file #E4776
- Meets UL98 for switches and UL 50 for enclosures
- Meets NEMA Standard KS-1 for enclosed switches
- Meets NEC wire bending space requirements
- Rated 10,000 AIC as standard or 200,000 when protected by Class R, T or J fuses rated 30 amp maximum
- I<sup>2</sup>t rated (Amps<sup>2</sup> x Seconds = 50,000)
- 12X overload current rating exceeds 10X industry standard
- Suitable for use as service entrance equipment
- Includes internal shields which meet NEC 2020 230.62 line side barrier requirements

### Features

- Quick-make and break switching action
- Double break visible blade design
- Highly visible ON/OFF indication
- Rugged installer friendly enclosure design
- Modular design allows quick and easy replacement of parts
- Front removable lugs which can easily be converted to copper body or compression type lugs
- Defeatable dual cover interlock

# Product Specifications

## Heavy Duty 30A, 600V Type 3R

### General Information

| Catalog Number | Volts | Description                 | Shipping Weight (lbs.) |
|----------------|-------|-----------------------------|------------------------|
| HNF261R        | 600   | 2 Pole, 2 Wire, Non-Fusible | 13                     |
| HNF361R        | 600   | 3 Pole, 3 Wire, Non-Fusible | 13                     |

### Horsepower Ratings<sup>1 2 3</sup> – 600 Volts

| Catalog Number | 3 Phase, 480V AC |                 | 3 Phase, 600V AC |                | 600V DC |
|----------------|------------------|-----------------|------------------|----------------|---------|
|                | Std              | Max             | Std              | Max            |         |
| HNF261R        | —                | — <sup>4</sup>  | —                | — <sup>4</sup> | 15      |
| HNF361R        | —                | 20 <sup>5</sup> | —                | 30             | —       |

### Mechanical Lug Wire Range (60/75°C, Cu/Al)

| Description           | Wire Range                          |
|-----------------------|-------------------------------------|
| Line, Load<br>Neutral | #12-6 AWG (Al) or<br>#14-6 AWG (Cu) |
| Ground                | #14-4 AWG                           |

### Compression Lugs<sup>7</sup>

| Wire Size | Burndy                    |       | Thomas-Betts   |                         | Ilsco   |                |
|-----------|---------------------------|-------|----------------|-------------------------|---------|----------------|
|           | CU Only                   | CU/AL | CU Only        | CU/AL                   | CU Only | CU/AL          |
| #14-10    | —                         | —     | —              | 60096<br>60097          | —       | —              |
| #8        | YA8C-L BOX<br>YA8C-L1 BOX | —     | 54104<br>54130 | 60101<br>60102<br>61102 | CRA-8   | ACL-8<br>ACN-8 |
| #6        | —                         | —     | —              | 61107                   | —       | —              |

1 Dual horsepower ratings: Std - applies when non-time delay fuses are installed.

Max - applies when time-delay fuses are installed.

2 Horsepower ratings listed also apply to Design E motors through 15HP at 480V and 20HP at 600V with no derating.

3 Also rated 5HP at 250V DC.

4 Also rated 7½ HP at 480V, 1 phase and 10HP at 600V, 1 phase.

5 Also rated 10HP on 3 Phase, 240V AC systems.

6 Place "DOOR" at the end of the switch catalog number.

7 If compression lugs are used for the neutral, order compression lug neutral barrier kit HCL612.

### Accessories

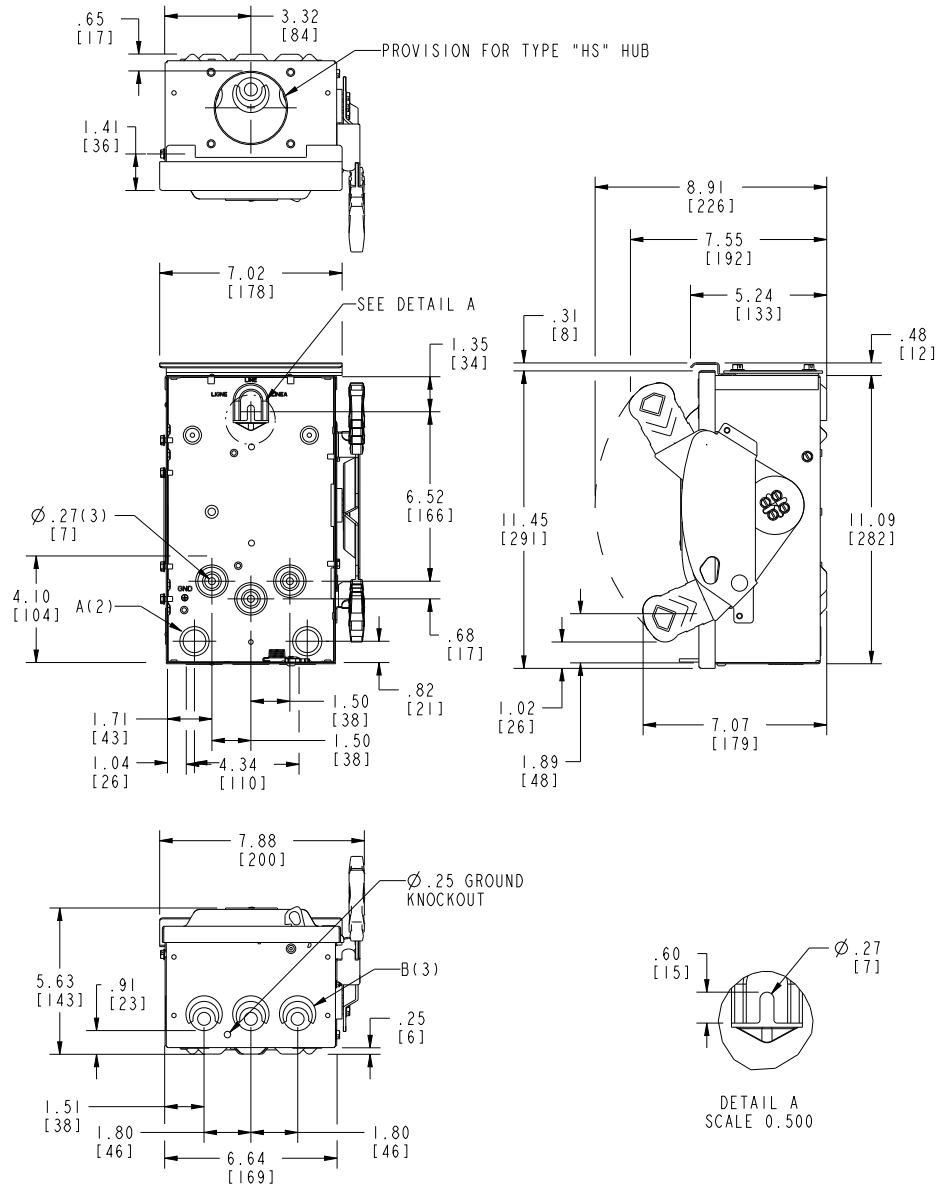
| Catalog Number | Description                                     |
|----------------|---|
| HA161234       | One Normally Open and Closed Auxiliary Switches |
| HA261234       | Two Normally Open and Closed Auxiliary Switches |
| HA361234       | Low Voltage Auxiliary Switch                    |
| HG61234        | Equipment Ground Lug Kit                        |
| HG261234       | Isolated Equipment Ground Kit                   |
| HN612          | Neutral Kit                                     |
| HLC612         | Copper Lug Kit (9 lugs per kit)                 |
| HCL612         | Compression Lug Neutral Barrier Kit             |
| HS075          | 0.75" Type "HS" Outdoor Hub                     |
| HS100          | 1.00" Type "HS" Outdoor Hub                     |

### Replacement Parts

| Catalog Number | Description                       |
|----------------|-----------------------------------|
| HNB612         | Non-Fusible Replacement Base      |
| HH6123         | Replacement Handle/Handle Guard   |
| HL612          | Replacement Lugs (3 lugs per kit) |
| HM6123         | Replacement Mechanism             |
| 6              | Replacement Door                  |

# Dimension Drawings

## Heavy Duty 30A, 600V Type 3R



No knockouts in enclosures.  
Dimensions shown in inches and millimeters ( ).  
Dimension shown accurate to  $\pm \frac{1}{16}$  inch.

| KNOCKOUT CODE  | CONDUIT SIZE |
|----------------|--------------|
| A (Concentric) | .75 1.00     |
| B (Tangential) | .50 .75 1.00 |

|           | LINE SIDE WIRE BEND | LOAD SIDE WIRE BEND |
|-----------|---------------------|---------------------|
| Non-Fused | 3.02 (77)           | 4.11 (104)          |

Enclosure: Cold Rolled Steel  
0.54 Thick (17 Gauge)  
Finish: ANSI #61 Grey Paint

**Published by**  
**Siemens Industry, Inc. 2021.**

Siemens Industry, Inc.  
3617 Parkway Ln  
Peachtree Corners, GA 30092

For more information, please contact  
our Customer Support Center.  
Phone: 1-800-241-4453  
E-mail: info.ipc.us@siemens.com  
info.hmi.us@siemens.com

[usa.siemens.com/switches](http://usa.siemens.com/switches)

Order No.: SSDS-HN33R-0921  
Printed in U.S.A.  
© 2021 Siemens Industry, Inc.

The technical data presented in this document is based on an actual case or on as-designed parameters, and therefore should not be relied upon for any specific application and does not constitute a performance guarantee for any projects. Actual results are dependent on variable conditions. Accordingly, Siemens does not make representations, warranties, or assurances as to the accuracy, currency or completeness of the content contained herein. If requested, we will provide specific technical data or specifications with respect to any customer's particular applications. Our company is constantly involved in engineering and development. For that reason, we reserve the right to modify, at any time, the technology and product specifications contained herein.