


Siemens Energy & Automation, Inc.  
Bellefontaine, Ohio 43311 U.S.A.  
For questions call 1-800-241-4453 or our web site:  
<http://www.sea.siemens.com/dpd>

For use with: 400-1200 Amp  
VBII Safety Switches

Page 1 of 4

Pc. No. 508208A00

## Installation Instructions for Replacement Mechanism Kit



### **! DANGER**

**Hazardous voltage.  
Will cause death or serious injury.**

Turn off and lock out all power supplying this Safety Switch before installing kit.

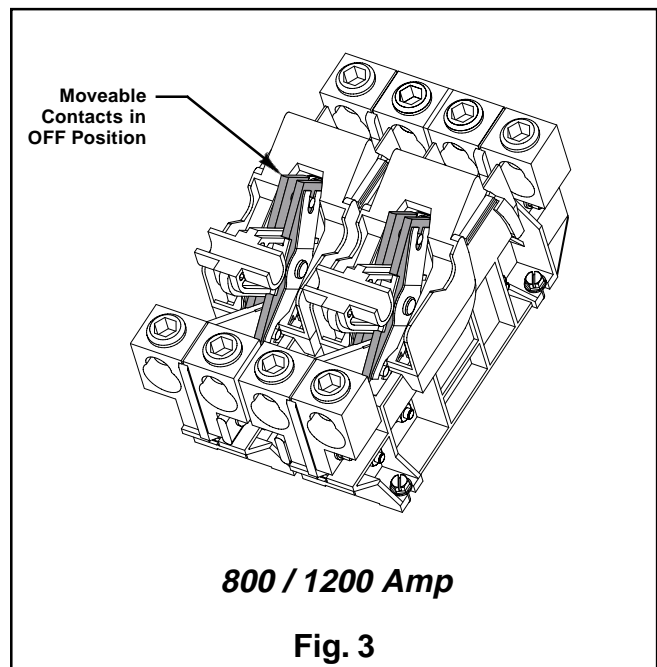
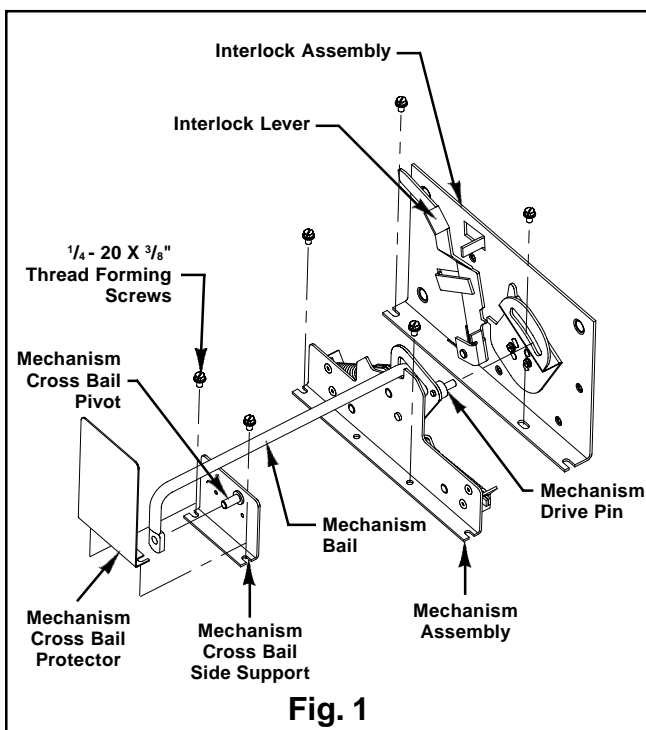
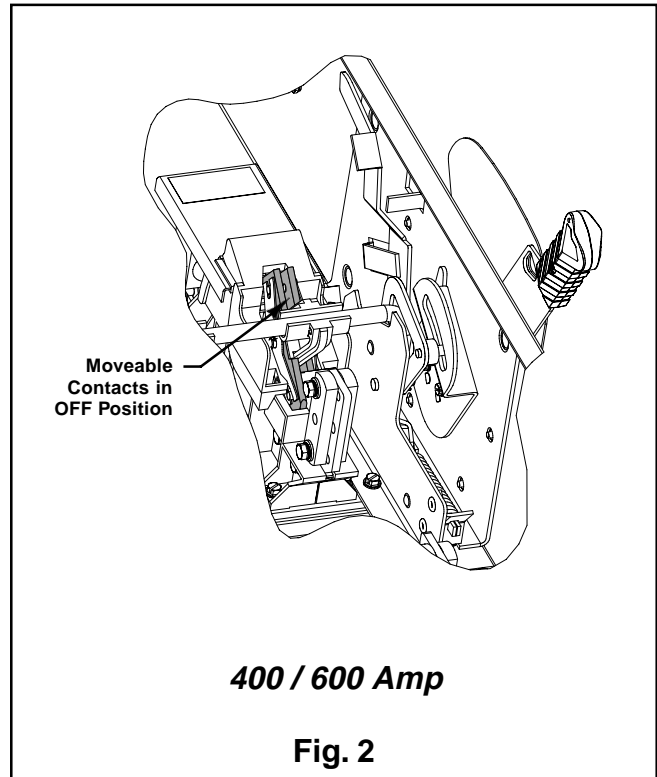
Replace line shields and close cover before restoring power to switch.



### SAFETY INSTRUCTIONS

**Note:** This instruction outlines recommended installation procedure.

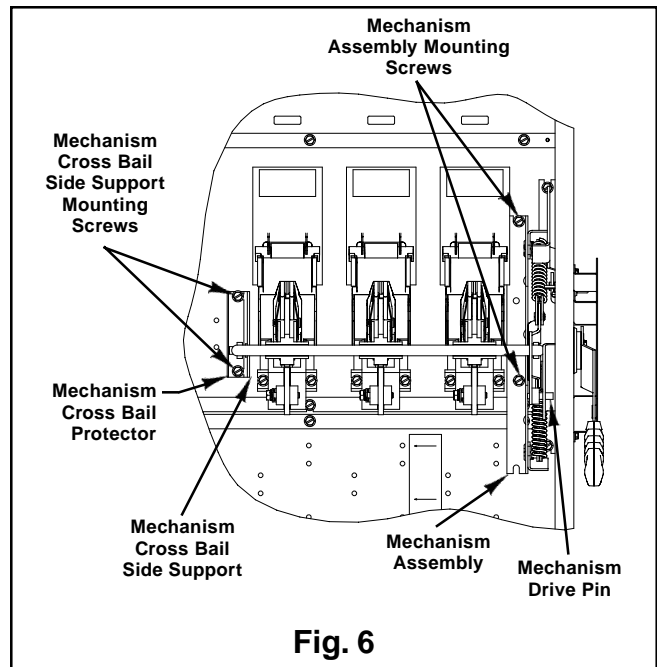
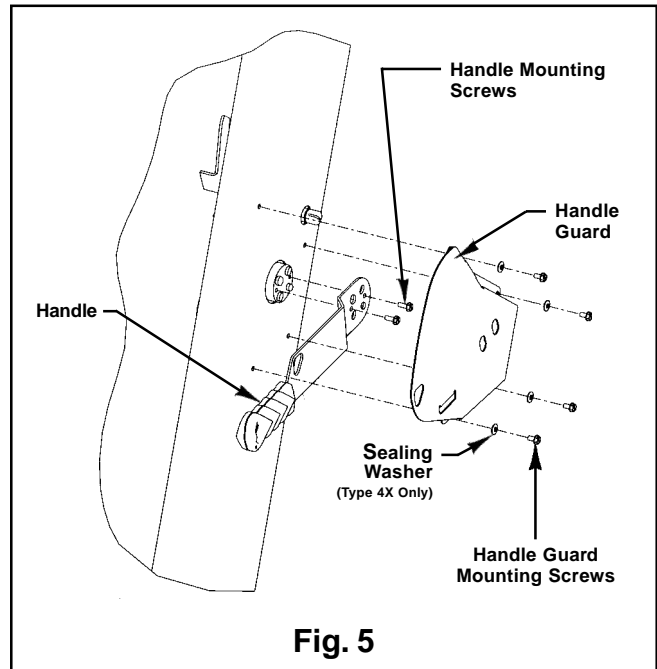
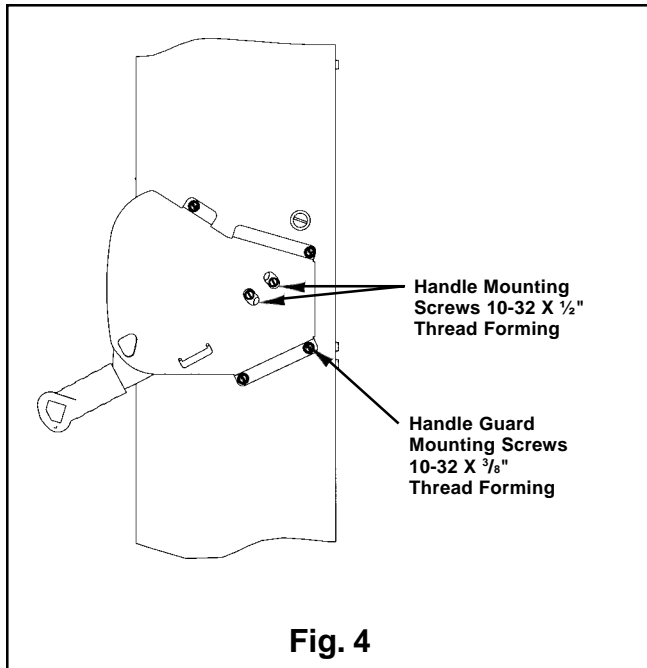
1. Turn OFF and lock out all power supplying the Safety Switch.
2. Turn the Safety Switch OFF.
3. Verify that the Moveable Contacts are in the OFF position, see **Figures 2 and 3**.





## Installation Instructions for Replacement Mechanism Kit

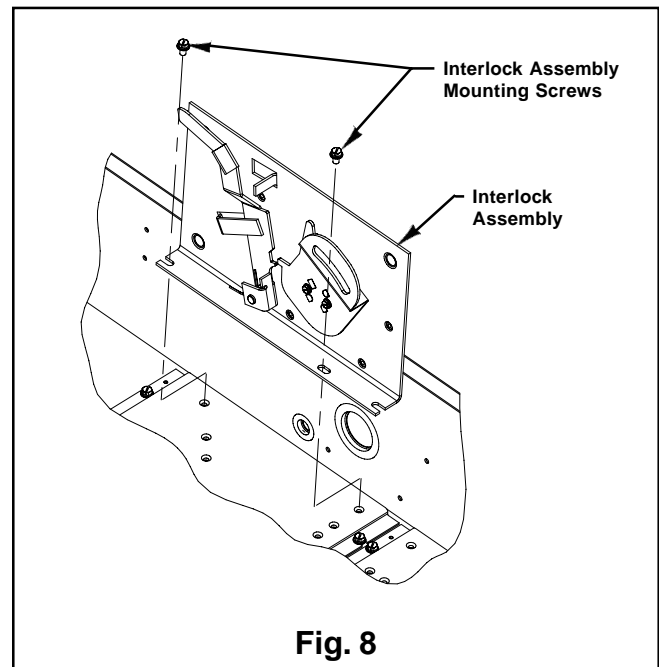
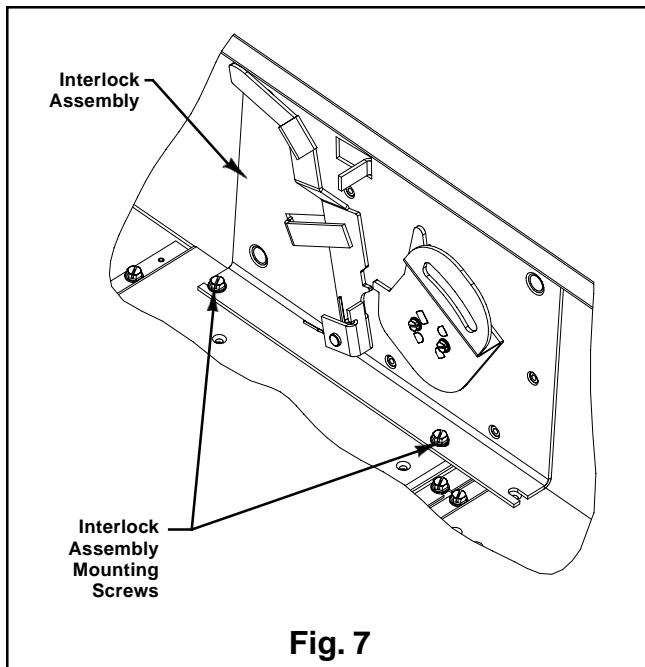
4. Verify that NO voltage is present at the wire grips.
5. Remove and retain Handle Guard Mounting Screws, Handle Guard, Handle Mounting Screws and Handle, see **Figures 4 and 5**.
6. Remove the Mechanism Cross Bail Side Support Mounting Screws and Cross Bail Protector. See **Figure 1 and 6**.
7. Remove Mechanism Assembly Mounting Screws and Mechanism Assembly. See **Figure 1 and 6**.





## Installation Instructions for Replacement Mechanism Kit

8. Remove Interlock Assembly Mounting Screws and Interlock Assembly. See **Figure 7**.
9. Place new Interlock Plate Assembly in switch as shown in **Figure 8** and secure with the  $\frac{1}{4}$ -20 X  $\frac{3}{8}$ " thread forming screws provided in this kit. Torque Interlock Assembly Mounting Screws to 64 lb-ins.
10. Align Handle hole pattern with tabs on Interlock Plate Assembly and secure with 10-32 x  $\frac{1}{2}$ " thread forming screws removed above. See **Figures 4 and 5**. Torque Handle Mounting Screws to 30 lb-ins.
11. Align Handle Guard mounting holes with enclosure and secure with 10-32 x  $\frac{3}{8}$ " thread forming screws removed above. For Type 4X enclosures, secure with 10-32 x  $\frac{1}{2}$ " machine screws and sealing washers. See **Figures 4 and 5**. Torque Handle Guard Mounting Screws to 30 lb-ins.





## Installation Instructions for Replacement Mechanism Kit

12. Place Cross Bail Side Support in enclosure as shown in **Figures 6 and 9**. Insert Cross Bail Side Support Mounting Screws, but do not tighten.
13. Install new Mechanism Assembly. See **Figures 1, 6 and 9**.
  - a. Insert the Mechanism Drive Pin into the slot in the Interlock Cam.
  - b. Slide the hole in the end of the Mechanism Bail onto the Cross Bail Pivot of the Cross Bail Side Support. Mechanism Bail should pass through the Line Base Bail Insulators of each switch pole.
  - c. Insert Mechanism Assembly Mounting Screws, two (2)  $\frac{1}{4}$  - 20 X  $\frac{3}{8}$ " thread forming screws provided in this kit, but do not tighten.
14. **While all power supplying the Safety Switch is still OFF and locked out:**
  - a. Move the Safety Switch Handle to the ON position (Hold Interlock Lever below the front of the enclosure to operate switch with the door open. See **Figure 1**)
  - b. Slide Cross Bail Protector into position as shown in **Figures 6 and 9**. (Cross Bail Side Support mounts against the enclosure)
  - c. With the Mechanism Assembly still in the ON position, torque the Mechanism Assembly and Cross Bail Side Support Mounting Screws to 64 lb-ins.
  - d. Turn the Safety Switch OFF.
15. Replace any Line Shields removed during Mechanism installation.
16. **While all power supplying this Safety Switch is still OFF**, check switch operation. Cycle Mechanism while checking for smooth switch operation and Moveable Contact movement. (Hold Interlock Lever below the front of the enclosure to operate switch with the door open. See **Figure 1**) If switch does not operate in a smooth manner, or there are any questions about replacement kit installation, contact Customer Service 1-800-241-4453.
17. Check Interlock operation.
  - a. Close cover.
  - b. **While all power supplying Safety Switch is still OFF**, move Handle to ON position.
  - c. Attempt to open the cover. The Cover Interlock Lever should prevent the cover from opening. If the cover opens, contact Customer Service 1-800-241-4453.
  - d. Move Handle to the OFF position.
18. Close cover before supplying power to the Safety Switch.

