

# SIEMENS

CATALOG NO. 3F3Y075TE

SERIAL NO.

75 kVA 60 Hz 3 PHASE

3.9 % IMP AT 170 °C

150 °C RISE 30 °C AVG. AMBIENT

220 °C TEMP CLASS 40 °C MAX. AMBIENT

PRIMARY ( H1 H2 H3 ) 480 V

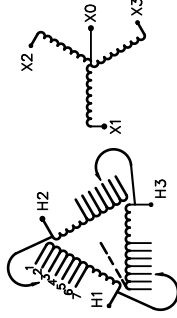
SECONDARY(X0 X1 X2 X3 ) 208Y/120 V

WINDING MATERIAL AL

ENCLOSURE TYPE 4

WEIGHT 830 LBS

SPACINGS BETWEEN ANY ENCLOSURE PANEL AND ANY ADJACENT WALL SHALL BE A MINIMUM OF 5 INCHES



VOLTS	CONNECT
504	1
492	2
480	3
468	4
456	5
444	6
432	7

TYPE KN



DO NOT INSTALL IN AREAS ACCESSIBLE TO PUBLIC  
NE PAS INSTALLER DANS DES ENDROITS ACCESSIBLES AU PUBLIC  
SUITABLE FOR INDOOR OR OUTDOOR LOCATIONS  
BEFORE HANDLING, INSTALLING AND OPERATING, SEE INSTRUCTION MANUAL

NEMA Class ANC Dry Type Transformer Siemens Industry, Inc. Norcross, GA

dmu0001e



Confidential – Property of  
Siemens Industry, Inc.  
Building Technologies Division

REVISION	DATE	BY	DATE	BY
		DRAWN	11/03/04	RB
		CHEK'D		
		VERIF'D		

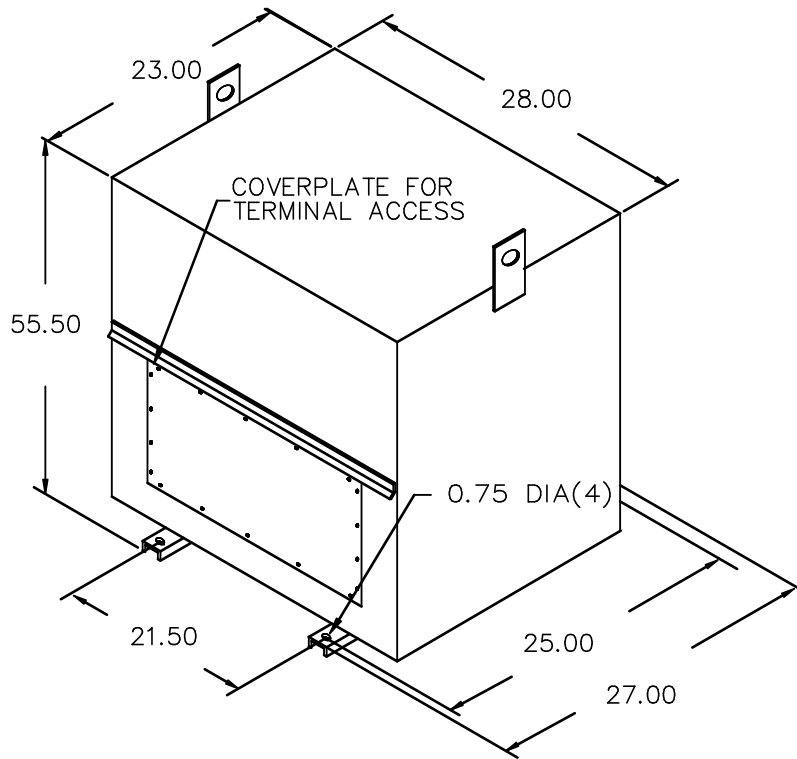
CUSTOMER

ORDER NO.

DWG. NO.

3F3Y075TE

SH 1 OF 2



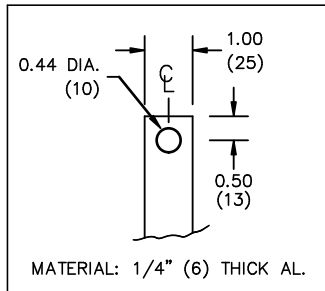
All Dimensions in inches

ENCLOSURE COLOR ANSI 61 GREY – OUTDOOR

H.V.1. TERMINAL DETAIL

L.V.1. TERMINAL DETAIL

MECHANICAL TYPE LUGS INCLUDED  
SUITABLE FOR 250MCM-6 CU/AL  
CONDUCTORS  
1 CONDUCTOR PER PHASE



CUSTOMER NOTES:

- HV1 TERMINATED AT TOP FRONT
- LV1 TERMINATED AT BOTTOM FRONT
- C/W STAINLESS STEEL NAMEPLATES

Confidential – Property of  
**Siemens Industry, Inc.**  
Building Technologies Division

REVISION	DATE	BY	DATE	BY	CUSTOMER
			DRAWN 11/03/04	RB	
			CHEK'D		
			VERIF'D		
					ORDER NO.
					DWG. NO.
					3F3Y075TE
					SH 2 OF 2