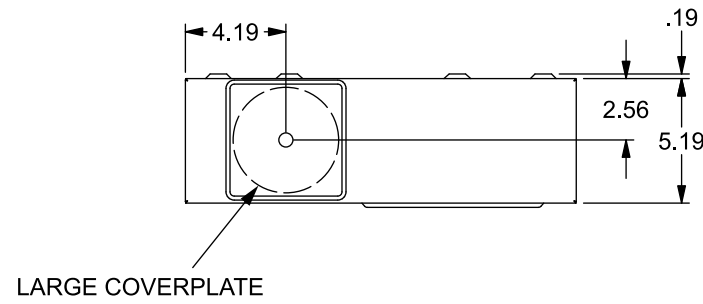


Catalog Number: 48104-02FL

Features and Ratings

- Ringless Type Meter Socket
- 320A Continuous, 400A Max., 600V AC
- Outdoor Enclosure (NEMA Type 3R)
- Painted G90 Steel Enclosure
- 1 Phase, 3-Wire, Commercial Socket
- 4 Jaw Meter Socket, Type HQ-4SWT
- For Overhead & Underground Service
- HD Type Hub Opening w/Large Coverplate
- Lever Bypass
- Side Wired



Accessories

| CONDUIT HUBS (HD Type) | |
|------------------------|---------------------|
| TRADE SIZE | CATALOG No. |
| 3 INCH | EC56856 or H56856-2 |
| 3-1/2 INCH | EC56857 or H56857-2 |
| 4 INCH | EC56858 or H56858-2 |
| Hub Cover Plate | EC56933 or H56933S |

Meter Opening Cover Plate
Cat No: H659-0162

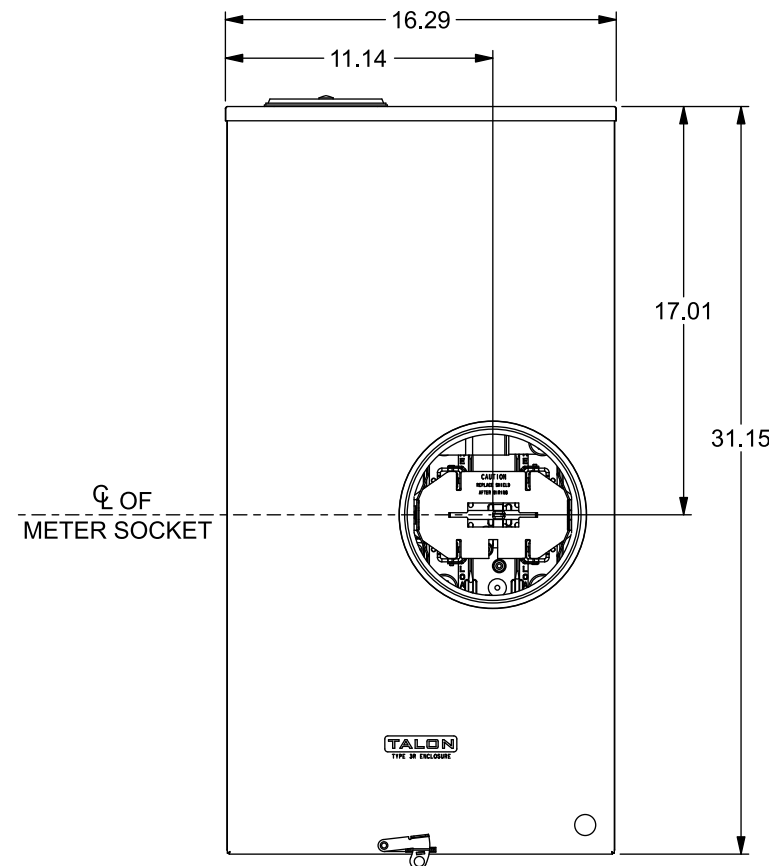
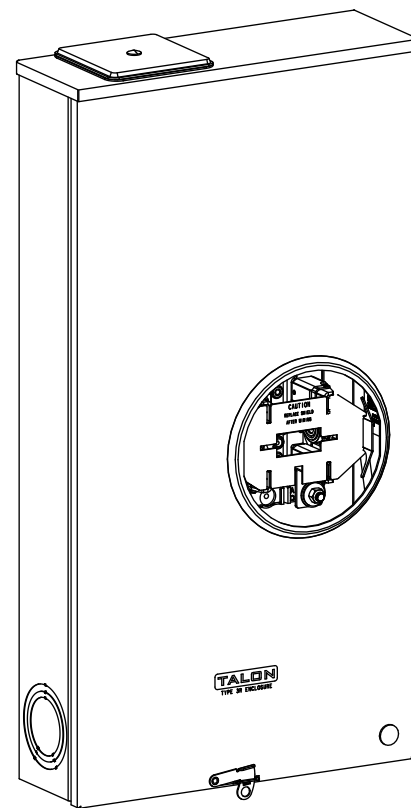
Shield Assembly with 5th Jaw
Cat No: H35815-5

Connectors, Wire Sizes and Torques

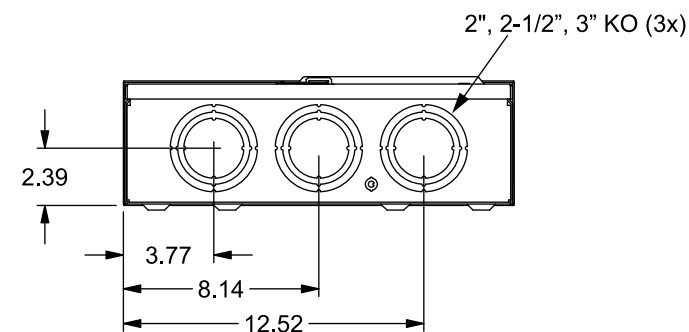
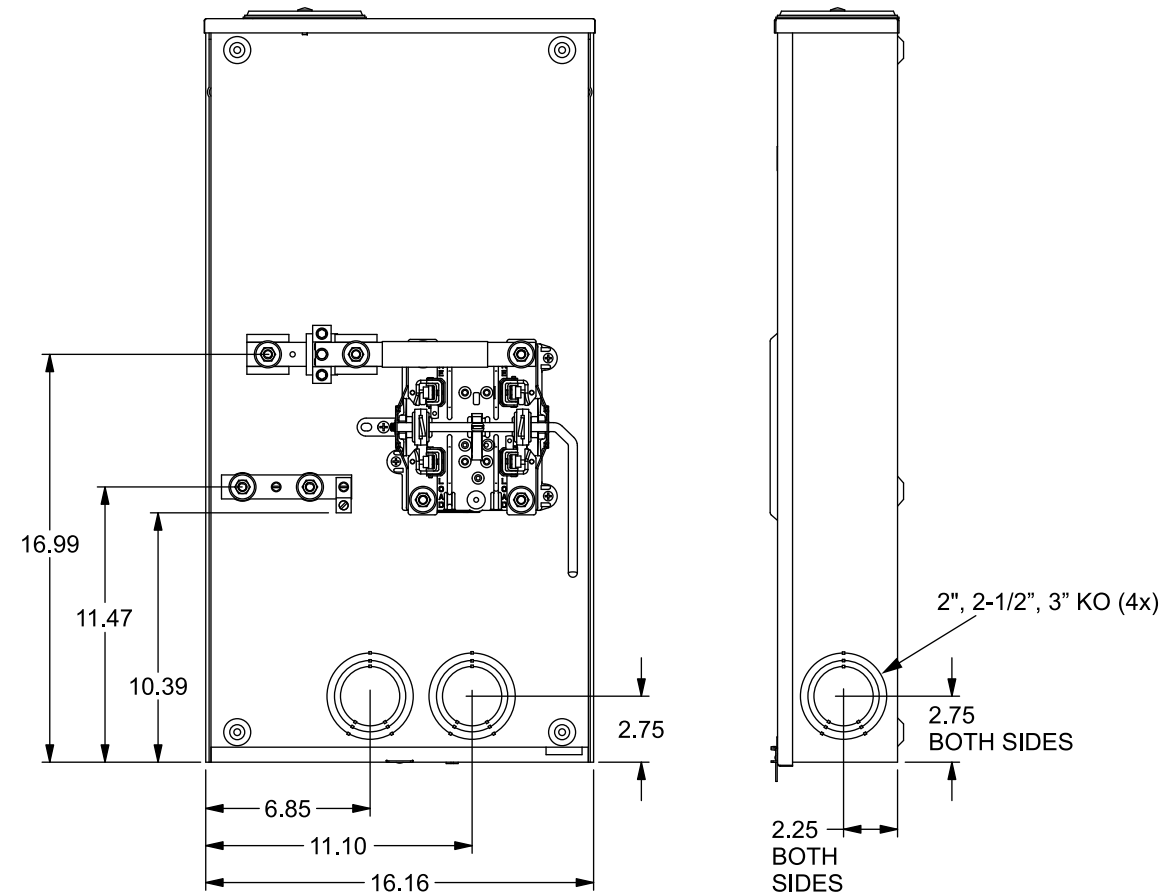
RECOMMENDED OR INSTALLED CONNECTORS
(Tightening Torque For Connector Mounting Nuts is 300 Lb-In)

| LOCATION | PART NO. | WIRE SIZE | TORQUE |
|----------|----------|---|-----------|
| LINE | H60162 | #4 AWG-600 kcmil (2)#1/0 AWG-250 kcmil | 500 LB-IN |
| LINE | H56476 | #3/0 AWG-800 kcmil | 500 LB-IN |
| LINE | H56732 | (2)#4 AWG-350 kcmil | 275 LB-IN |
| LOAD | H60162 | #4 AWG-600 kcmil (2)#1/0 AWG-250 kcmil | 500 LB-IN |
| LOAD | H56476 | #3/0 AWG-800 kcmil | 500 LB-IN |
| LOAD | H56732-2 | (2)#6 AWG-350 kcmil | 275 LB-IN |
| NEUTRAL | H60162 | #4 AWG-600 kcmil (2)#1/0 AWG-250 kcmil | 500 LB-IN |
| NEUTRAL | H56476 | #3/0 AWG-800 kcmil | 500 LB-IN |
| NEUTRAL | H56732-2 | (2)#6 AWG-350 kcmil | 275 LB-IN |
| GROUND* | 67554A | #14 - 2/0 AWG | 50 LB-IN |

* indicates factory installed connectors



VIEW SHOWN WITH COVER AND SHIELD REMOVED



© 2018 Copyright Siemens Industry, Inc.

TALON

Meter Socket

Description: **320A Cont, 4 Jaw, HQ-4SWT, 600V AC, Painted Steel Enclosure**

KAM 5/15/18 | DO NOT SCALE DRAWING | Dwg No: **48104-02FL**