

Handle and Shield Replacement kit.

For Use With: Frame FD, FM
Para Usar Con Caja Base: FD, FM

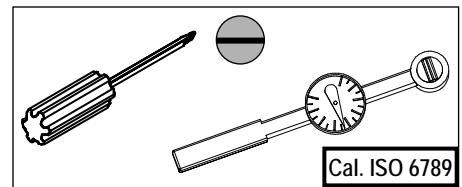
Installation Instructions / Instructivo de Instalación

 Danger	 Peligro	 Danger
Hazardous Voltage Will cause death or serious injury Turn off and lock out all power supplying this device before working on this device. Replace all covers and close the enclosure door before power supplying this device is turned on.	Tensión peligrosa. Puede causar la muerte o lesiones graves. Desenergice totalmente antes de instalar o darle servicio. Reemplace todas las barreras y cubiertas antes de energizar el interruptor.	Tension dangereuse. Danger de mort ou risque de blessures graves. Couper l'alimentation de l'appareil et barrer avant de travailler. Remplacez tous les couverts avant que l'approvisionnement de pouvoir soit alimenté.

Use only with Siemens certified Components.
 Utilizar únicamente con componentes certificados por Siemens.
 A utiliser uniquement avec les composants certifiés Siemens.

For use with Types:

Circuit Breakers: FXD6-A, FD6-A, HFXD6, HFD6, HHFD6, HHFXD6, FFC, FFF and CFD6.
 Motor Circuit Interrupters: FXD6ETI, CFD6ETI
 Molded Case Switches : FXD6, FXD6-A, CFD6



NOTE - These instructions do not purport to cover all details or variations in equipment, or to provide for every possible contingency to be met in connection with installation, operation or maintenance. Should further information be desired or should particular problems arise, which are not covered sufficiently for the purchaser's purposes, the matter should be referred to the local Siemens sales office. The contents of this instruction manual shall not become part of or modify any prior or existing agreement, commitment or relationship. The sales contract contains the entire obligation of Siemens. The warranty contained in the contract between the parties is the sole warranty of Siemens. Any statements contained herein do not create new warranties or modify the existing warranty.

Trademarks - Unless otherwise noted, all names identified by ® are registered trademarks of Siemens AG or Siemens Industry, Inc. The remaining trademarks in this publication may be trademarks whose use by third parties for their own purposes could violate the rights of the owner.

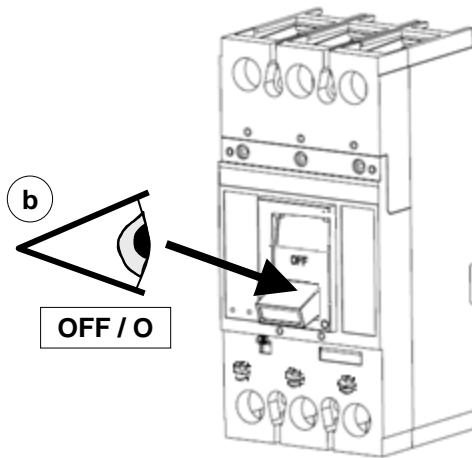


	<p>⚠ Danger Hazardous Voltage Will cause death or serious injury</p>	<p>⚠ Peligro Tensión peligrosa. Puede causar la muerte o lesiones graves.</p>	<p>⚠ Danger Tension dangereuse. Danger de mort ou risque de blessures graves.</p>
	<p>Turn off and lock out all power supplying this device before working on this device. Replace all covers and close the enclosure door before power supplying this device is turned on.</p>	<p>Desenergice totalmente antes de instalar o darle servicio. Reemplace todas las barreras y cubiertas antes de energizar el interruptor.</p>	<p>Couper l'alimentation de l'appareil et barrer avant de travailler. Remplacez tous les couverts avant que l'approvisionnement de pouvoir soit alimenté.</p>

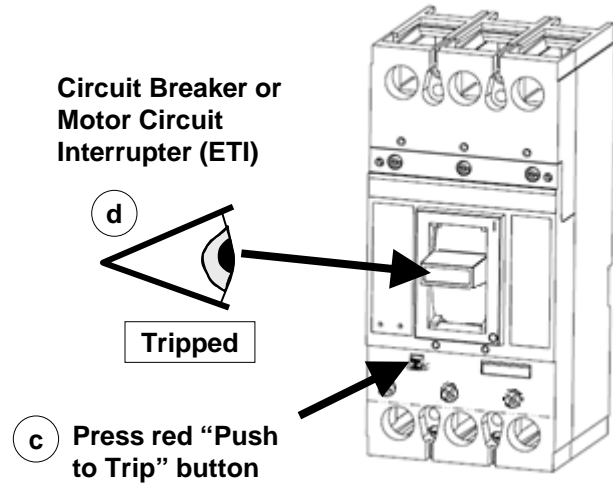
1. Prepare device for handle replacement.

- (a)** Turn OFF and lock out all power supplying this device before working on this device.
- (b)** Turn OFF Molded Case Switch.
- (c)** Press red "Push to Trip" button to trip Circuit Breaker or Motor Circuit Interrupter (ETI).
- (d)** Verify Circuit Breaker or Motor Circuit Interrupter (ETI) is tripped or Molded Case Switch is OFF.

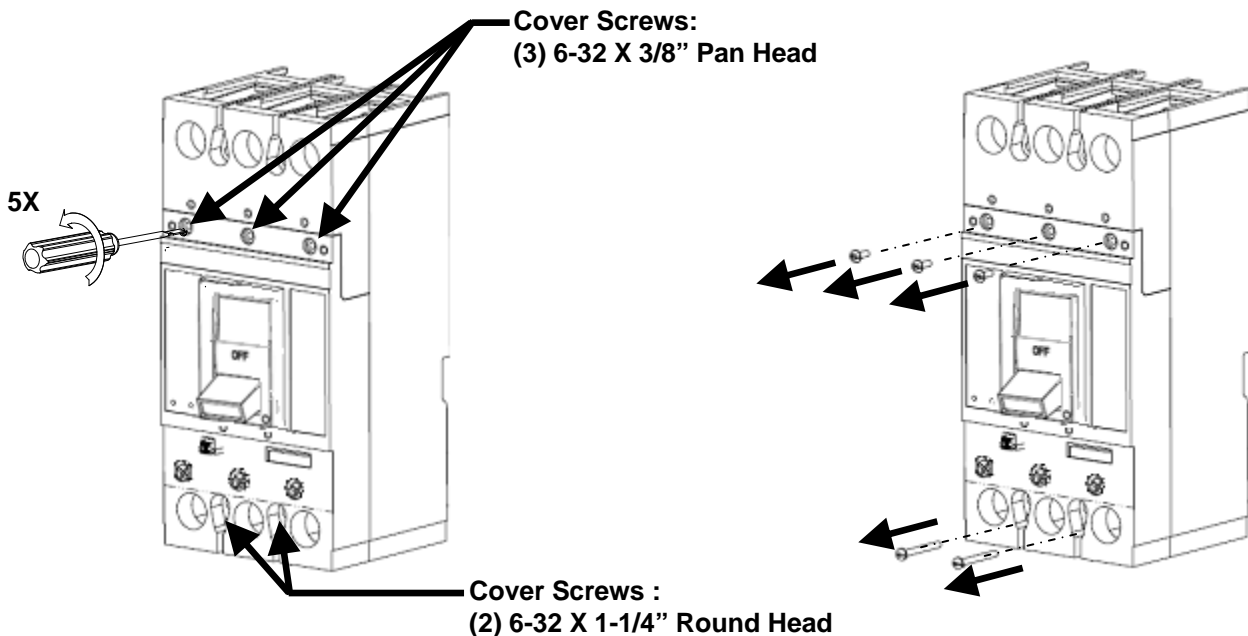
Molded Case Switch



Circuit Breaker or Motor Circuit Interrupter (ETI)

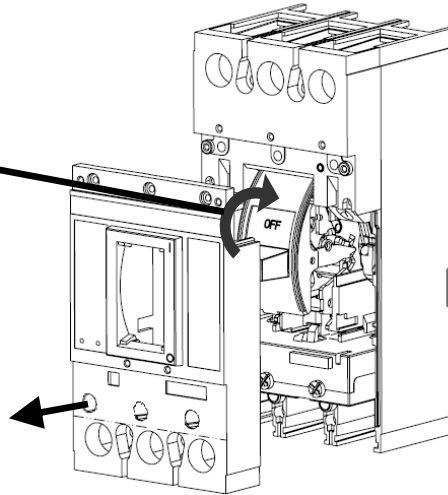


2. Remove and retain Cover Screws.

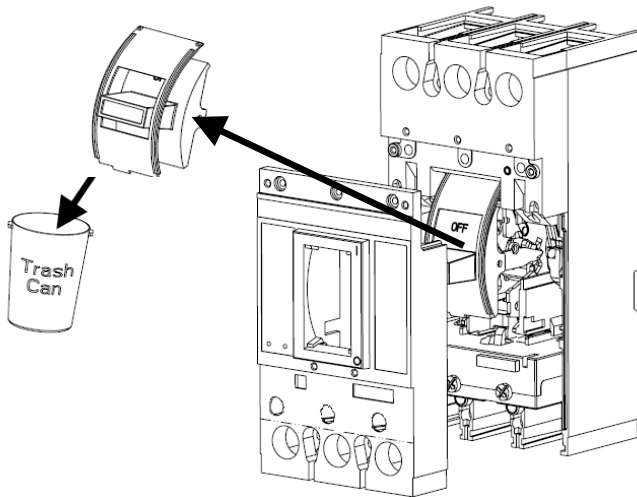


3. Remove and retain cover.

Notice: Molded Case Switch mechanism will move to the tripped position as cover is removed.



4. Remove and discard handle and shield.



⚠ WARNING

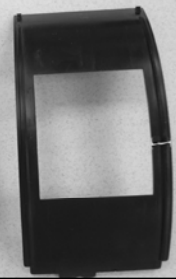
Pieces of broken handle or shield could interfere with device operation.

All broken pieces must be retrieved from this device.

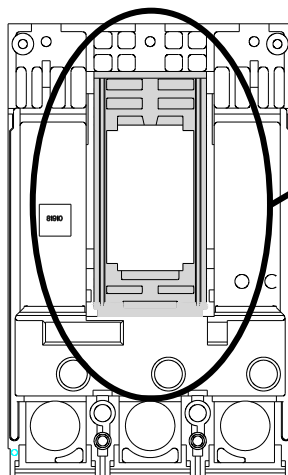
Do not continue use of device if all pieces are not retrieved.

Handle

Shield



5. Remove old lubricant on inside of trip unit cover.



Use clean cloth to thoroughly clean the area indicated.

⚠ WARNING

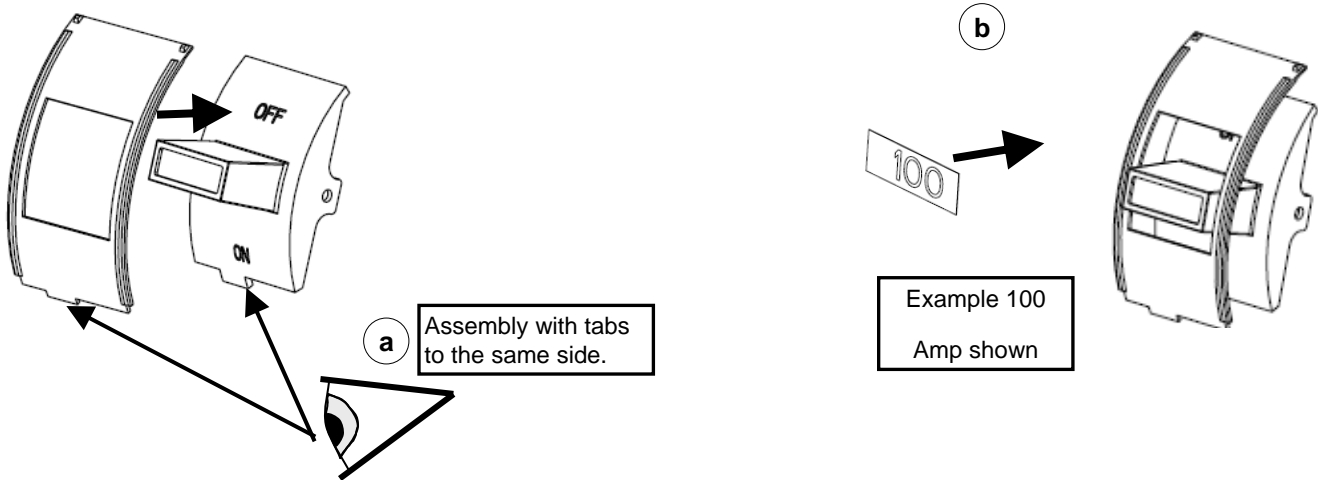
Adding lubrication may result in damage to the handle shield.

Do not use lubrication on handle shield.

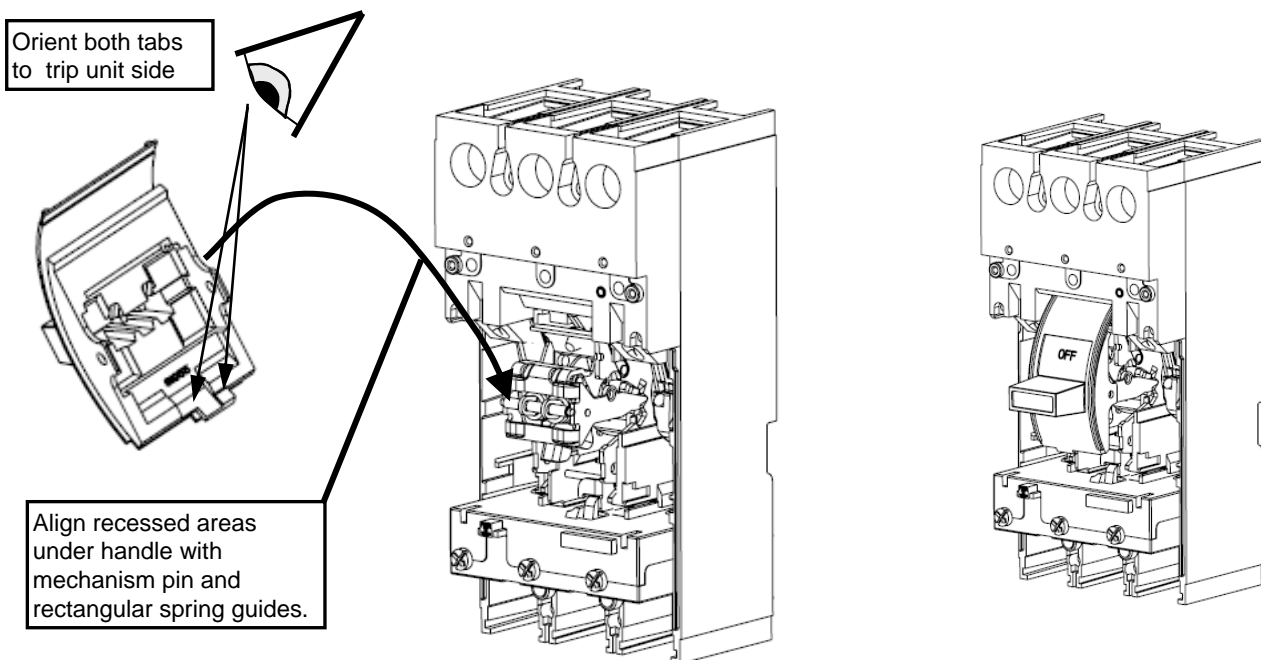
	<p>⚠ Danger</p> <p>Hazardous Voltage Will cause death or serious injury</p>	<p>⚠ Peligro</p> <p>Tensión peligrosa. Puede causar la muerte o lesiones graves.</p>	<p>⚠ Danger</p> <p>Tension dangereuse. Danger de mort ou risque de blessures graves.</p>
	<p>Turn off and lock out all power supplying this device before working on this device. Replace all covers and close the enclosure door before power supplying this device is turned on.</p>	<p>Desenergice totalmente antes de instalar o darle servicio. Reemplace todas las barreras y cubiertas antes de energizar el interruptor.</p>	<p>Couper l'alimentation de l'appareil et barrer avant de travailler. Remplacez tous les couverts avant que l'approvisionnement de pouvoir soit alimenté.</p>

6. Prepare new handle for assembly.

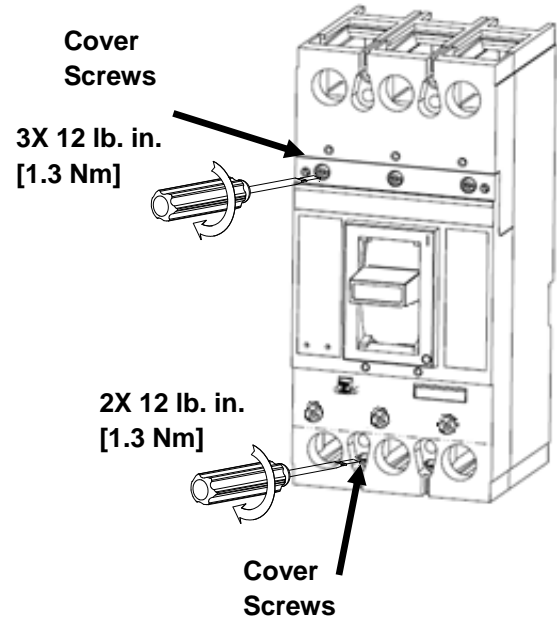
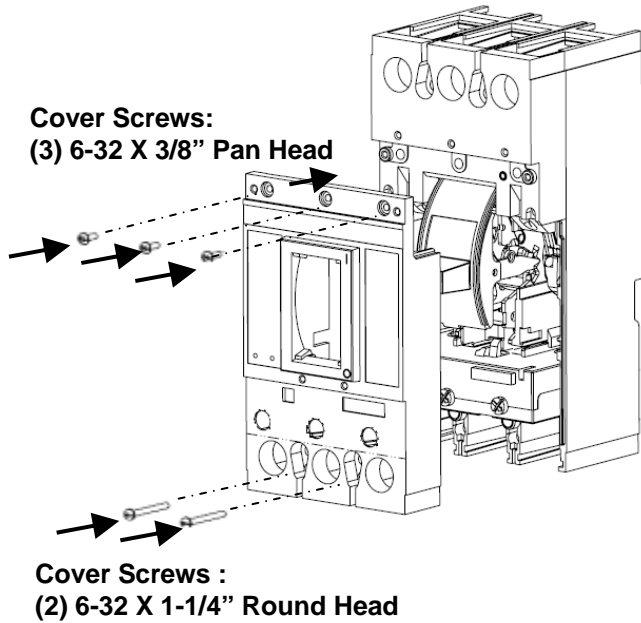
- a** If the handle shield is separate from the handle, snap them together as shown below.
- b** Apply appropriate rating label from kit to handle



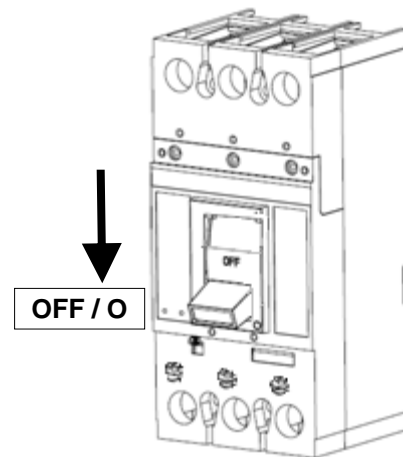
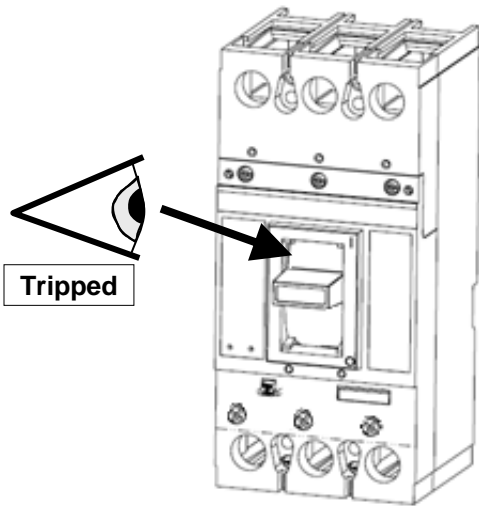
7. Install Handle assembly.



8. Reassemble cover and cover screws.

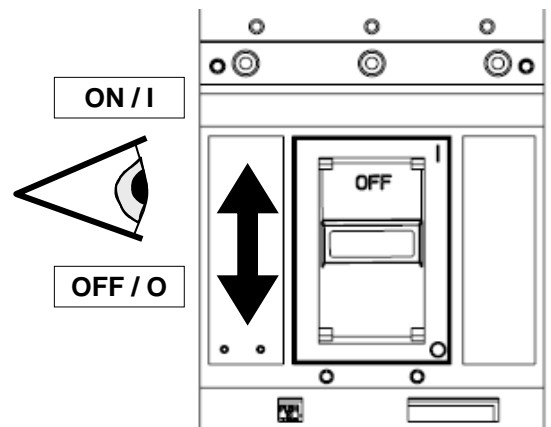


9. Move handle from TRIP to OFF position



10. Test Operation

- Cycle device from OFF to ON to OFF to verify operation. Call Technical Support if device does not operate correctly.
- Turn OFF device.
- Replace all covers and close the enclosure door before power supplying this device is turned on.



Technical Support:

Telephone: 1-800-241-4453

Internet: www.usa.siemens.com/powerdistribution

Subject to change without prior notice
Siemens Industry, Inc., Norcross, GA 30092 U.S.A.

5 / 5

© Siemens Industry Inc. 2010

I.L. No. 810519A00

Released Production, 0P v5, Apr 26, 2011