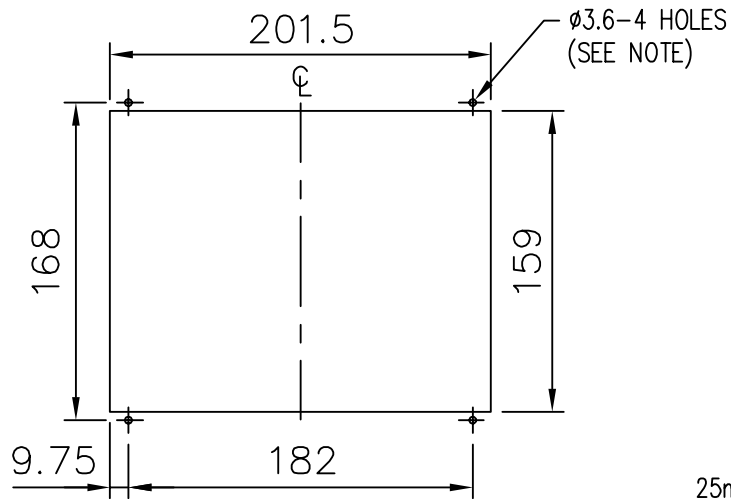
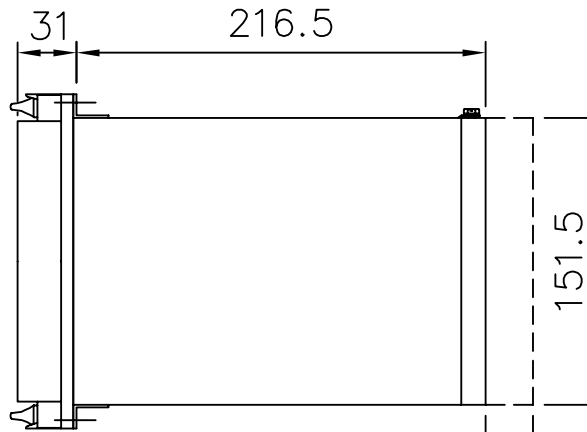


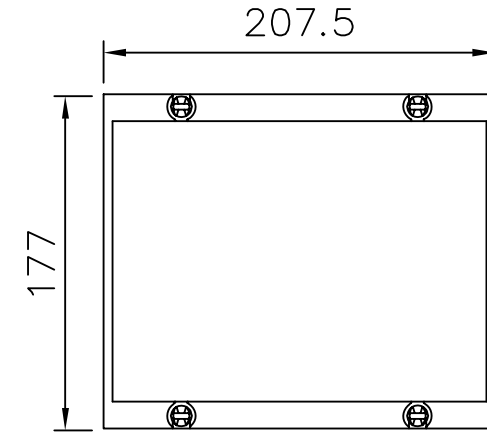
IF IN DOUBT ASK
DO NOT SCALE



PANEL CUT-OUT



25mm MIN. CLEARANCE FOR TERMINAL WIRING
70mm MIN. CLEARANCE FOR F/O COMMS CABLE



PRINTED ON 18/02/2009
ENSURE CORRECT REVISION
DESTROY AFTER USE

NOT SUBJECT TO UPDATE
ONCE COPIED / PRINTED
OR DOWNLOADED

NOTE:
THE $\phi 3.6$ HOLES ARE FOR M4 THREAD FORMING (TRILOBULAR) SCREWS. THESE ARE SUPPLIED AS STANDARD AND ARE SUITABLE FOR USE IN FERROUS/ALUMINIUM PANELS 1.6mm THICK AND ABOVE. FOR OTHER PANELS, HOLES TO BE M4 CLEARANCE (TYPICALLY $\phi 4.5$) AND RELAYS MOUNTED USING M4 MACHINE SCREWS, NUTS AND LOCKWASHERS (SUPPLIED IN PANEL FIXING KIT).

4	RDW	04/06/07	MN995/2883 (AL)
3	RDW	27/09/06	MN995/2462(ML/RDW)
2		30/07/01	MN995/2125
1	ISSUE	12/07/99	CHANGE NOTED

DRAWING OFFICE ONLY NOTE

ANY CHANGE TO THIS DRG MUST BE REFLECTED ON DRG 2995X10017 & CATALOGUE

MATERIAL:

Copyright © 1999 Siemens Protection Devices Ltd. Hebburn

Dimensions in millimetres : Surface texture in micrometres. Machine where marked <input checked="" type="checkbox"/> For explanation of dimensions, tolerances, notes etc. see B.S.308. Limit on untoleranced unmachined dimensions \pm _____ Limits on untoleranced machined dimensions to B.S.4500; i.e. up to 6 ± 0.1 ; over 30 to 120 ± 0.3 ; over 315 ± 0.8 ; over 6 to 30 ± 0.2 ; over 120 to 315 ± 0.5 ; General unmachined angular tolerance \pm _____	Finish:	Title: OVERALL DIMENSIONS AND PANEL DRILLING FOR EPSILON E8 CASE	First used on:
	Treatment:		Original Scale:
SIEMENS PROTECTION DEVICES LTD.		1 : 4	Drg.No. 2995X10008
DRAWN: A.LAW	CHECKED:	APPROVED:	DATE:
I.E.	OPS.	PCP.	Purch. Spec.
TQ.	EAC	CE.	STD.
A4h			