

# Commercial/Residential Portable Generators

**A/C Rated output watts: 8000**  
**A/C Maximum output watts: 10,000**

Emissions certification: CSA



## Features

- Overhead valve industrial engine
- High performance alternator
- Steel fuel tank with fuel gauge
- Locking fold-down handles
- Never-flat wheel kit
- 1.25" hardened steel tube cradle
- Circuit breaker protected outlets
- Low tone muffler

## Customer connections

### Connection outlets

A: (4) 5-20R 120V

B: L14-30R Tiwst-lock 120/240V

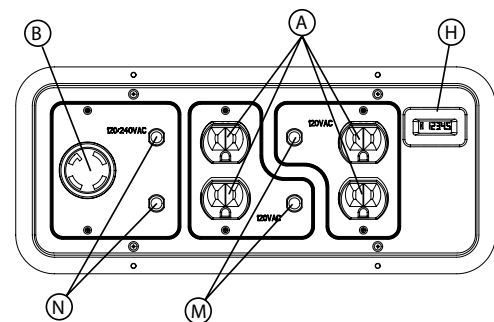
### Circuit breakers

M: (2) 20A

N: (2) 30A

### Other features

H: Hour meter with maint.



## Data Sheet

[www.usa.siemens.com/generators](http://www.usa.siemens.com/generators)

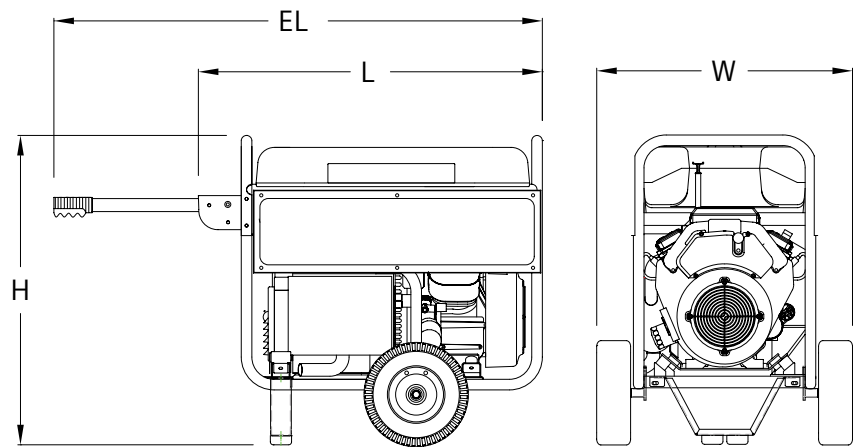
**SIEMENS**

## Specifications

| Product series             | PG008E              |
|----------------------------|---------------------|
| Configuration/emissions    | CSA                 |
| A/C rated output watts:    | 8000                |
| A/C maximum output watts:  | 10,000              |
| A/C voltage                | 120/240VAC          |
| A/C frequency              | 60 Hz               |
| Rated 120/240 VAC amperage | 33.3                |
| Max 120/240 VAC amperage   | 41.7                |
| Engine displacement        | 410cc               |
| Engine type                | OHVI                |
| Engine RPM                 | 3600                |
| Recommended oil            | 5W30                |
| Lubrication method         | Full pressure       |
| Choke type                 | Manual lever        |
| Fuel shut off              | Manual lever        |
| Idle control               | Full speed          |
| Starting method            | Electric/Manual     |
| Battery                    | Included            |
| Battery size               | 12VDC 10 Ahr        |
| Low oil shutdown method    | Low pressure        |
| Start switch type          | 3-position          |
| Switch location            | On engine           |
| Single-point lifting eye   | N/A                 |
| Fuel gauge                 | Built-in            |
| Fuel tank capacity (Gal)   | 8.00                |
| Fuel tank capacity (Ltrs)  | 30.28               |
| Run time at 50% (Hours)    | 8.00                |
| Cord set                   | N/A                 |
| Handle style               | Folding interlocked |
| Wheel type                 | 9.5" Solid wheels   |
| Maintenance kit            | Sold separately     |

## Dimensions and weights

|                       |       |
|-----------------------|-------|
| Length (L)            | 33.5  |
| Width (W)             | 26.5  |
| Height (H)            | 27.5  |
| Extended length (EL)  | 47.0  |
| Carton length         | 35.5  |
| Carton width          | 26.5  |
| Carton height         | 27.5  |
| Unit Weight (lbs)     | 192.0 |
| Shipping Weight (lbs) | 205.0 |



Siemens Industry, Inc.  
 Building Technologies Division  
 5400 Triangle Parkway  
 Norcross, GA 30092

1-800-964-4114  
 info.us@siemens.com

©2010 Siemens Industry, Inc.  
 All Rights Reserved. Siemens is a registered trademark of Siemens AG. Product names mentioned may be trademarks or registered trademarks of their respective companies. Specifications are subject to change without notice.

RPFL-PG032-0110

[www.usa.siemens.com/generators](http://www.usa.siemens.com/generators)