

NOTE: For both feed location configurations, the breaker handle must point upward when in the "ON" position.

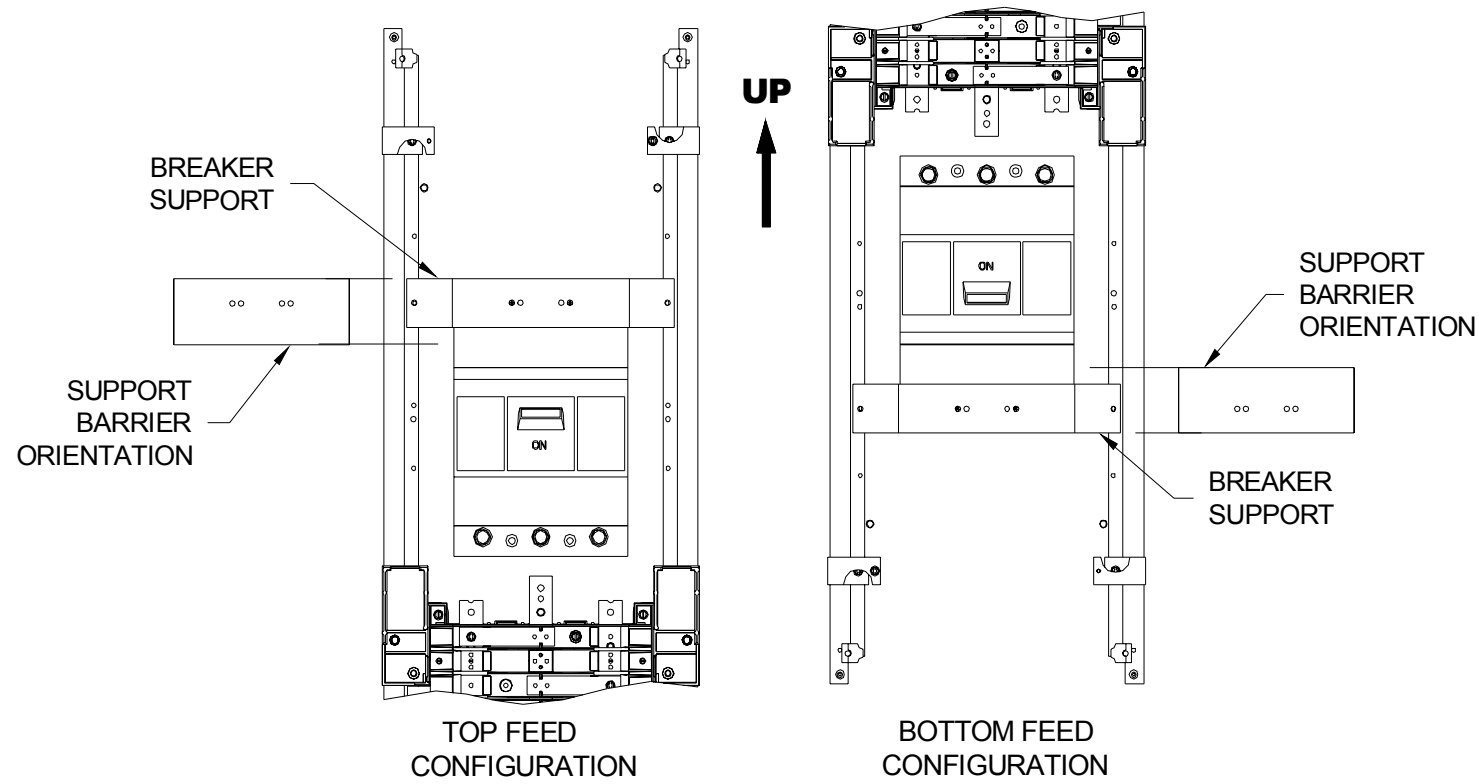


FIGURE 2: TOP FEED AND BOTTOM FEED KIT CONFIGURATIONS

NOTE: FOR BOTH FEED CONFIGURATIONS, THE FILLER IS ORIENTED AS SHOWN, WITH THE "MAIN" LABEL POSITIONED ABOVE THE BREAKER HANDLE.

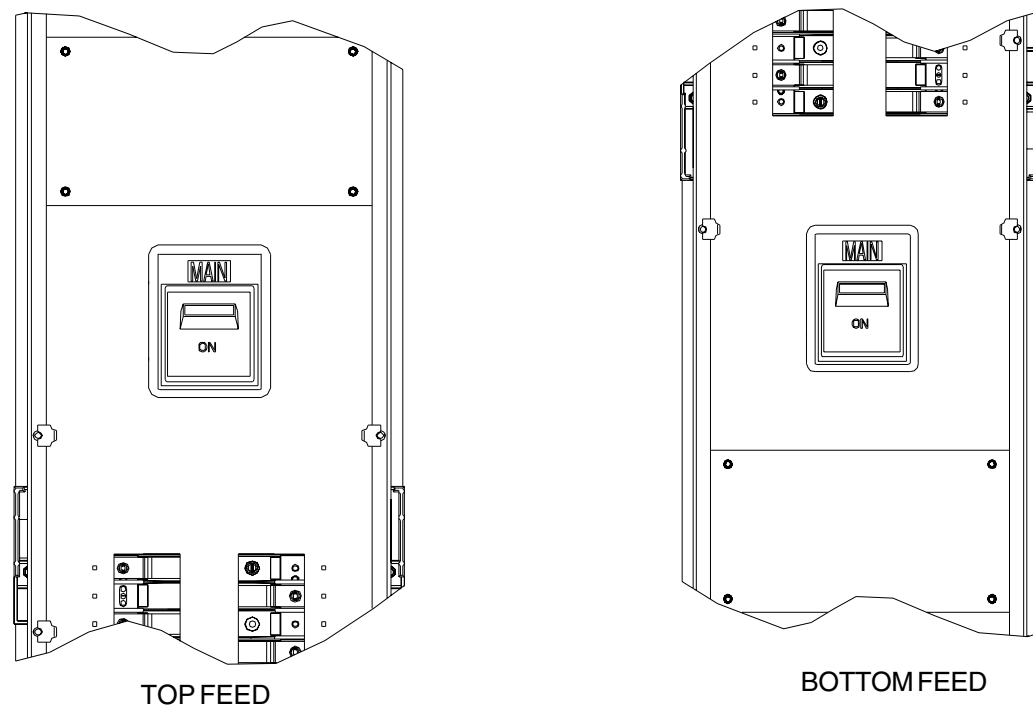
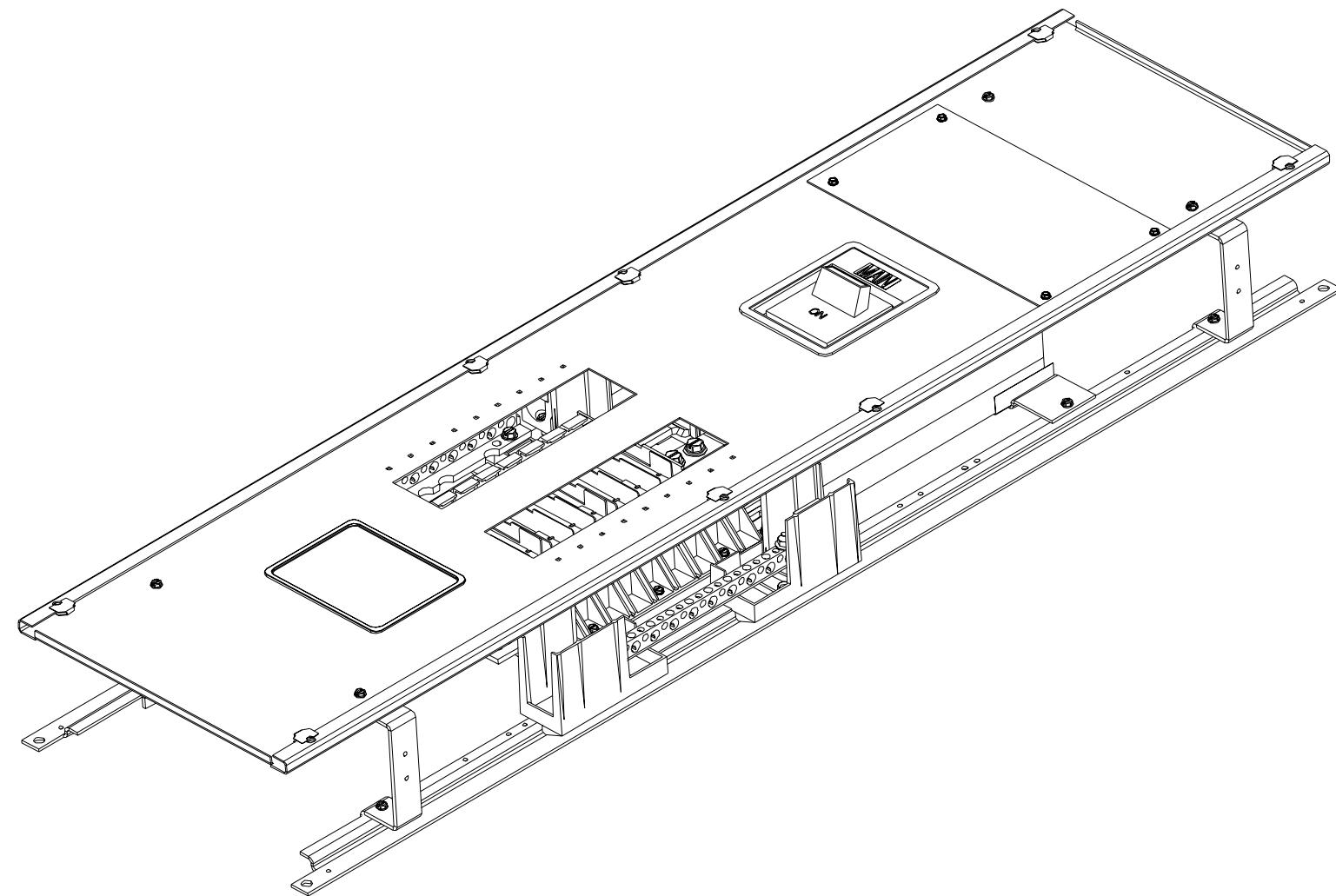


FIGURE 3: TOP AND BOTTOM FEED DEAD FRONT FILLER INSTALLATION

SIEMENS

P1 400A Panelboard Kits MBKJD1 & MBKJD3 For Main JD Breaker

Installation Instructions



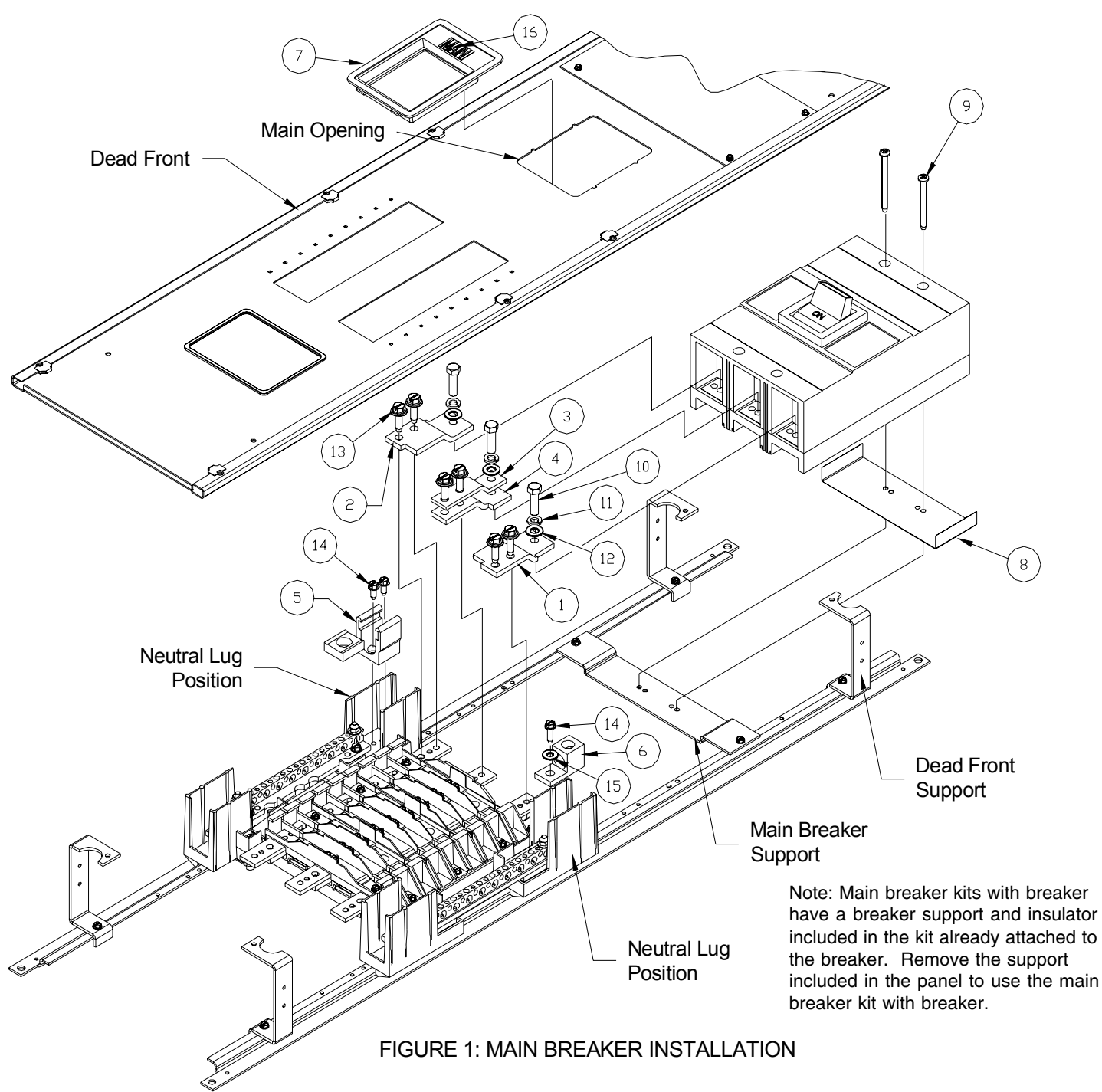


FIGURE 1: MAIN BREAKER INSTALLATION

THIS KIT CONTAINS THE FOLLOWING ITEMS

ITEM	DESCRIPTION	QTY.
1	OUTER PHASE CONNECTOR	1
2	OUTER PHASE CONNECTOR	1
3	B-PHASE UPPER CONNECTOR	1
4	B-PHASE LOWER CONNECTOR	1
5	600 MCM LAY-IN NEUTRAL LUG	1
6	300 MCM TANG LUG	1
7	DEAD FRONT MAIN FILLER PLATE	1
8	BREAKER SUPPORT BARRIER	1
9	1/4"-20 x 2-3/4" THREAD FORMING PHILLIPS HEAD SCREW	2
10	3/8"-16 x 1-1/4" HEX HEAD MACHINE SCREW	3
11	3/8" HELICAL SPRING LOCK WASHER	3
12	3/8" PLAIN WASHER	3
13	5/16"-18 X 1-1/8" HEX HEAD SEMS ASSEMBLY THREAD FORMING SCREW	6
14	1/4"-20 x 5/8" HEX WASHER HEAD THREAD FORMING SCREW	3
15	1/4" PLAIN WASHER	1
16	"MAIN" LABEL	1

Installation Instructions

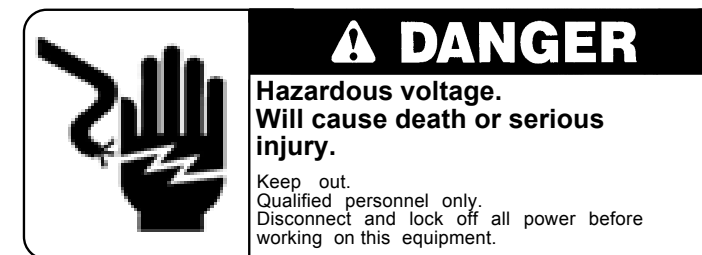
The following instructions are for the installation of a Siemens JD main breaker kit in a 400 amp Type P1 panelboard. The parts provided in this kit connect Type JD main breakers to 1 phase, 2 or 3 wire systems or to 3 phase, 3 or 4 wire systems. For all 1 phase systems, disregard the B-phase connector instructions. For 1 phase 2 wire and 3 phase 3 wire systems, disregard the neutral instructions. The breaker is not included in the kit and must be purchased separately. Be sure to select the appropriate breaker for the voltage, system, and feed location in use.

Bottom-feed mains are reverse fed, and require Type JXD breakers. Top-feed mains may be either Type JD or JXD:

Top Feed Main Breakers	JD, HJD, JXD, HJXD
Bottom Feed Main Breakers	JXD, HJXD

The 400A P1 panel provides wiring space for the following cable options:

(2) 250 MCM line cables per phase	Use breaker line lug TA2J6500 or copper lug TC2J6500
(1) 600 MCM line cable per phase	Use breaker line lug TA1L6750 or copper lug TC1J6600



- Fasten all breaker connectors to the panel section or main bus using two 5/16"-18 thread forming SEMS screws (item 13) per joint. Torque the screws to the value indicated on the tightening torque label on the rear of the dead front.
- Torque all 3/8"-16 machine screws at the breaker connections to 228 in-lb.
- On 1 phase 3 wire systems and 3 phase 4 wire systems, neutral lugs are required. Loosen the wire binding screw in the lay-in lug (item 5), remove the cap plate, and place the lug on the lug pad inside the neutral barrier cavity, as shown. Align the two lug holes with the mounting holes on the lug pad centerline. Fasten the lug with two 1/4"-20 thread forming screws (item 14). Place the tang lug (item 6) in the other barrier cavity, and align its hole with the innermost lug pad hole. See Figure 2 on page 4 for the correct position. Fasten the lug using a 1/4"-20 self threading screw (item 14) with a plain washer (item 15). Torque all lug mounting screws to the values indicated on the tightening torque label on the rear of the dead front.
- Remove the main lug filler plate from the dead front main opening if present. Refer again to Figure 3 on page 4, to determine the correct orientation of the dead front main filler plate (item 7) for the panel's feed location. Insert the filler plate into the front of the dead front. Assure the tabs hold the filler plate in place. Apply the "MAIN" label (item 16) as shown.
- Before energizing the panel, ensure that all connections have been torqued and the dead front is installed.

To install the main breaker:

- Lock off all power to this equipment before working on it.
- Remove the dead front and main lugs, if installed. Refer to Figure 2 on page 4 to determine the correct breaker mounting for the panel's feed location. Insert the two 1/4"-20 x 2-3/4" self threading screws (item 9) through the appropriate end of the breaker case and through the outer holes on the support barrier (item 8) as shown in Figure 1, to retain the barrier during installation. Fasten the breaker to the support.
- Position one of the outer breaker connectors (items 1 & 2) so that the single-hole end rests on the breaker pad and the double-hole end rests on the panel section or main bus. Note that the outer connectors are mirror images and are not interchangeable. Attach the connector to the breaker pad using a 3/8"-16 machine screw (item 10), a helical spring lock washer (item 11), and a plain washer (item 12) as shown. Do not tighten at this time. Repeat the process to attach the other outer connector to the breaker.
- 3 phase panels require a B-phase connection. Stack the upper B-phase connector (item 3) above the lower connector (item 4). Attach the single-hole ends to the center pole breaker pad using identical hardware (items 10, 11, & 12) as for the outer connectors. Do not tighten at this time.