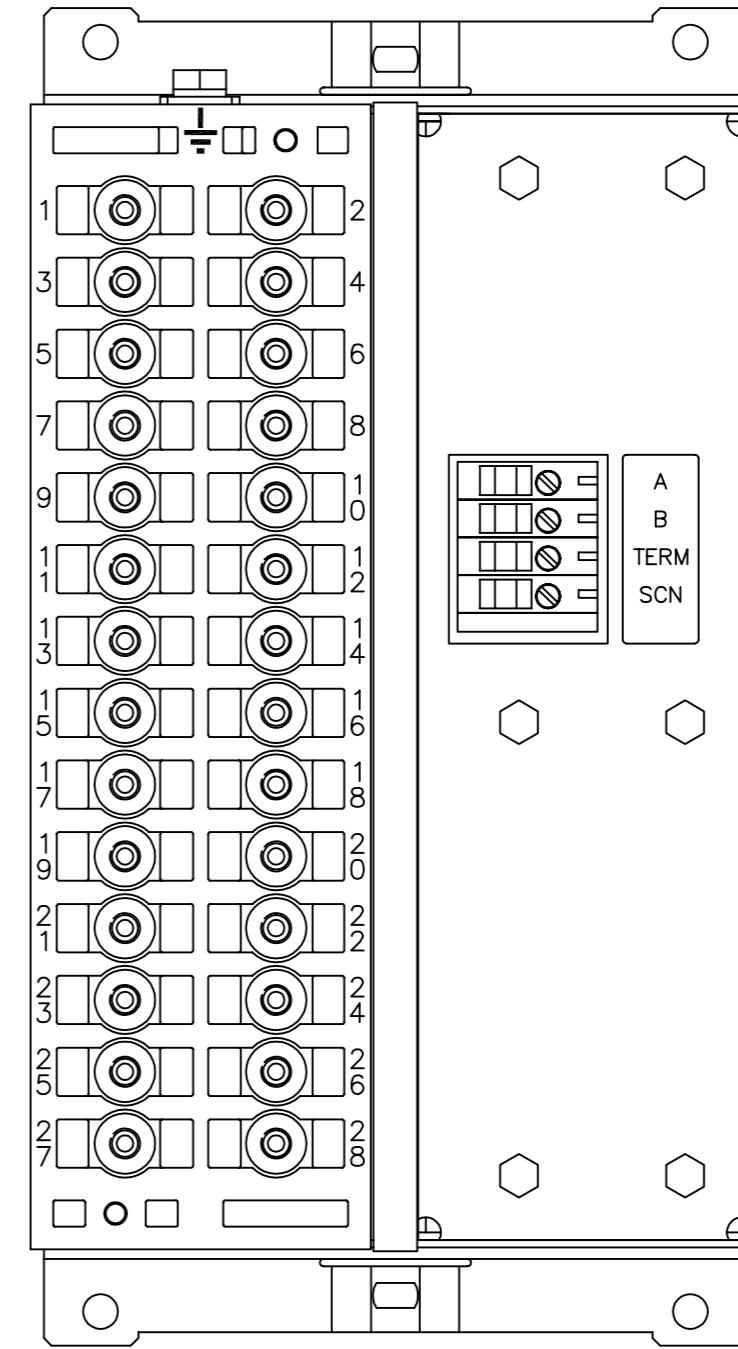
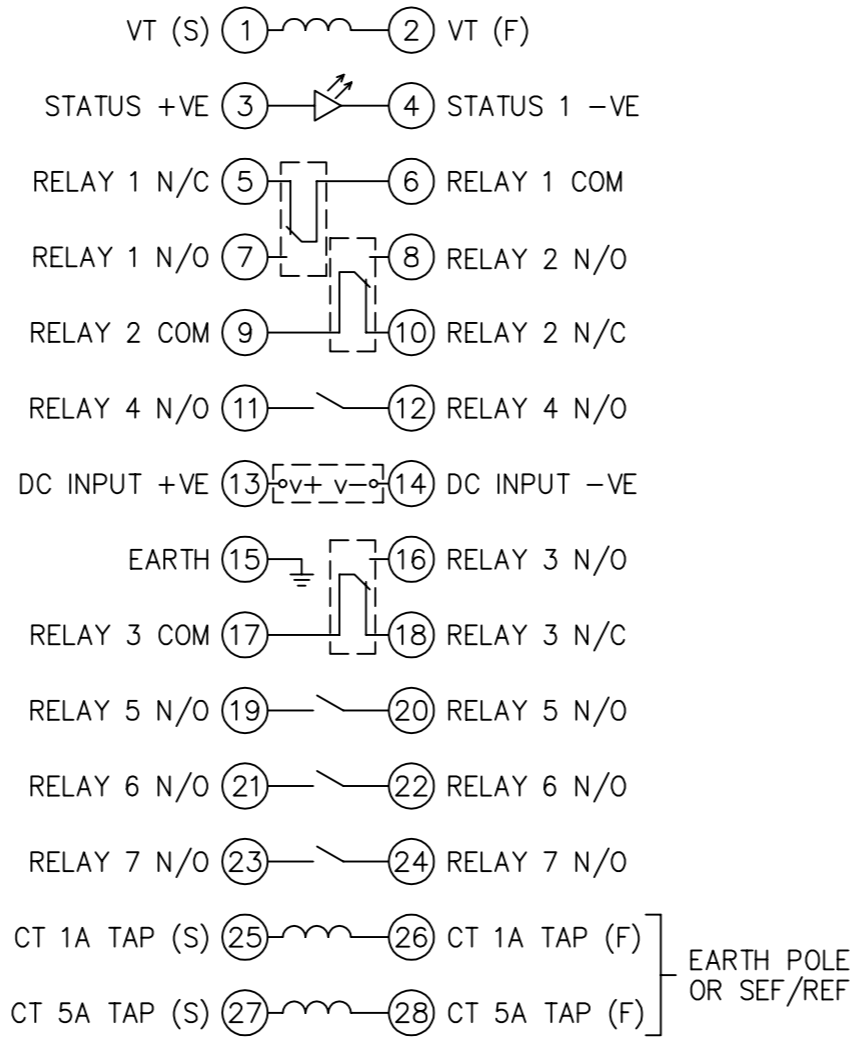


IF IN DOUBT ASK
DO NOT SCALE



BOX VIEWED FROM REAR

OUTER TERMINAL BLOCK ASSY: -
VIEW BLOCK FROM THE INSIDE FACE

ASSEMBLY INSTRUCTIONS: -
TYPICAL ASSEMBLY DRAWING 2995G10029
AT INDICATED POSITIONS FIT AS FOLLOWS,
S - FIT STANDARD CONTACT
2995B10051
HC - FIT 'HEAVY CURRENT' KIT
2995G10030
WHERE IS SHOWN FIT CT SHORTING KIT
2995G10031
POSITIONS SHOWN BLANK ARE UNUSED
ALL POSITIONS FIT SCREW 2106F12506

2	S	S	1
4	S	S	3
6			5
8	S	S	7
10			9
12	S	S	11
14	S	S	13
16	S	S	15
18			17
20	S	S	19
22	S	S	21
24	S	S	23
26			25
28			27

CHASSIS TERMINAL BLOCK ASSY: -
VIEW FROM NUMBERED SIDE OF BLOCK

ASSEMBLY INSTRUCTIONS: -
TYPICAL ASSEMBLY DRAWING 2995G10032
AT INDICATED POSITIONS FIT AS FOLLOWS,
T - FIT TRIP ISOLATION CONTACT
2995B10053
S - FIT STANDARD CONTACT
2995B10054
POSITIONS SHOWN BLANK ARE UNUSED

2	S	S	1
4	T	T	3
6	S	S	5
8	T	T	7
10	S	S	9
12	T	T	11
14	S	S	13
16	T	T	15
18	S	S	17
20	T	T	19
22	T	T	21
24	T	T	23
26	S	S	25
28	S	S	27

NOTES:

- TERMINALS RECOMMENDED ARE PRE INSULATED & MUST BE CRIMPED USING APPROVED TOOLING.
AMP PIDG OR PLASTI GRIP FUNNEL ENTRY (RING TONGUE) FOR M4 FIXING STUD.

SUPPLIER	AMP	CABLE SIZE
AMP	342103	0.25-1.6 SQ MM
AMP	342143	1.0-2.6 SQ MM.

OR ANY OTHER MANUFACTURERS EQUIVALENT TERMINAL.
- FOR OUTLINE & DRILLING DRG SEE 2995X10004 (A4).
- FOR TYPICAL CHASSIS ASSEMBLY SEE 2434H50004.
FOR TYPICAL CASE ASSEMBLY : RS485 COMMS. - SEE 2434H50012.

FOR INFORMATION ONLY
UNCONTROLLED COPY
NOT SUBJECT TO UPDATE

PROTECTION TYPE	SCHEMATIC DIAGRAM
SINGLE PHASE/EARTH (DIR)	2434W10119 (A3)
SINGLE PHASE/SEF (DIR)	2434W10120 (A3)

MATERIAL:

Dimensions in millimetres ; Surface texture in micrometres.
Machine where marked ✓
For explanation of dimensions, tolerances, notes etc. see B.S.308.
Limit on untoleranced unmachined dimensions ± _____
Limits on untoleranced machined dimensions to B.S.4500;
i.e. up to 6±0.1; over 30 to 120±0.3; over 315±0.8;
over 6 to 30±0.2; over 120 to 315±0.5;
General unmachined angular tolerance ± _____

Finish: _____
Treatment: _____

Title:
TERMINAL IDENTIFICATION & RELAY WIRING DIAGRAM
1 POLE DIRECTIONAL ARGUS (E4 CASE) WITH RS485 COMMS

VATECH REYROLLE
AUTOMATION, CONTROL & PROTECTION

Original Scale:
1 : 1

First used on: _____
Similar Articles: 2434W50004
Supersedes: _____
Drg. No.
2434W50009

Copyright © 2004 VATECH REYROLLE ACP Ltd. Hebburn

1	12/08/04	CHANGE	△
ISSUE	DATE	NOTED	