

## Catalog Numbers, Ratings and Features

| Catalog No. | Max. Branch Rating | Main Bus, 1200A Max. | Breaker Type    | Meter Socket Cover | Meter Socket Type/ Continuous Rating | No. of Jaws | Bypass Type | Neutral Lug (Qty) and Wire Range | Equip Ground Lug (Qty) and Wire Range |
|-------------|--------------------|----------------------|-----------------|--------------------|--------------------------------------|-------------|-------------|----------------------------------|---------------------------------------|
| WML13225RJ  | 225A               | 3 Phase              | 3 Pole QR or QJ | Ringless           | HQ-7S / 200A                         | 7           | Lever       | (1) #4-300 kcmil                 | (2) #4-2/0 AWG                        |

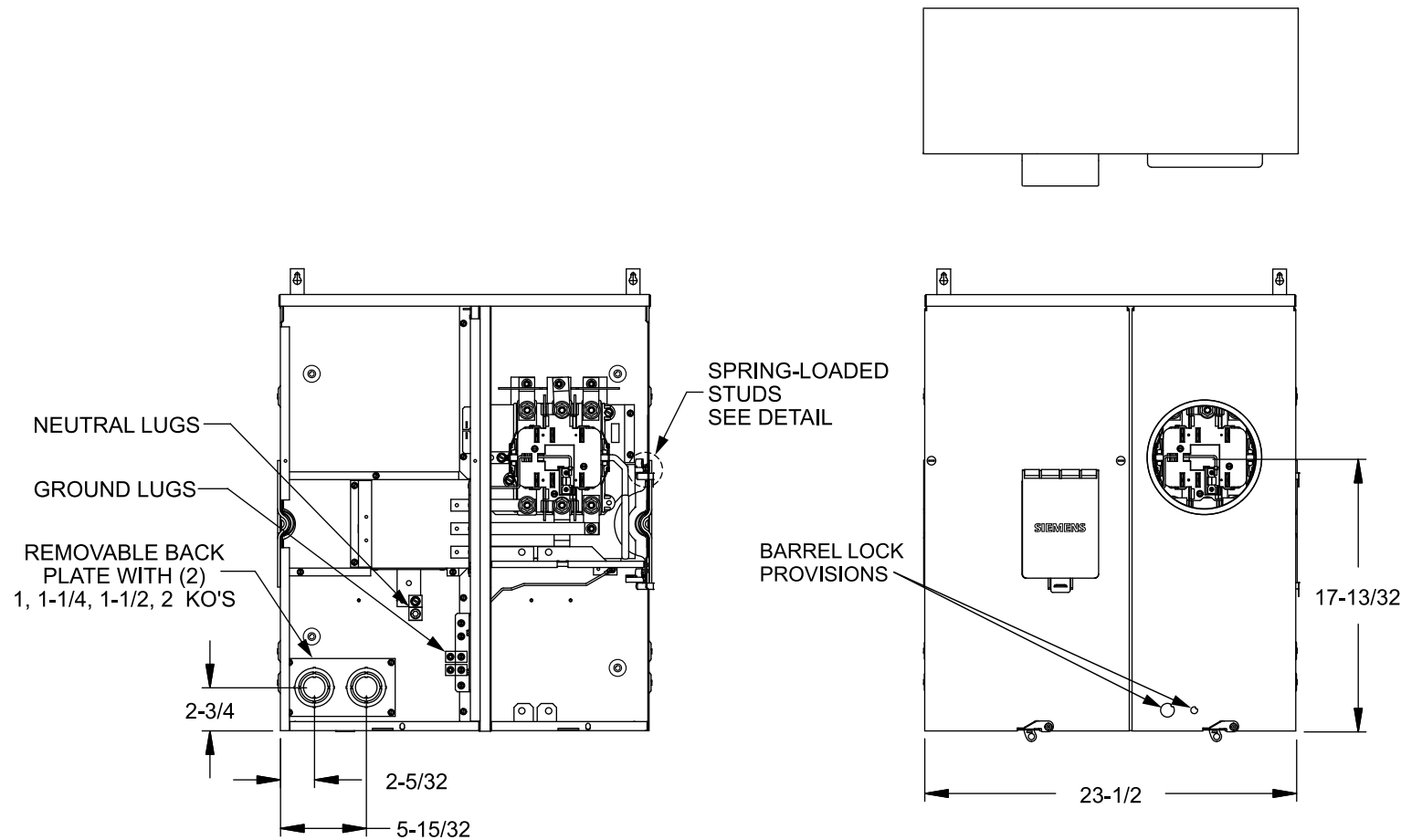
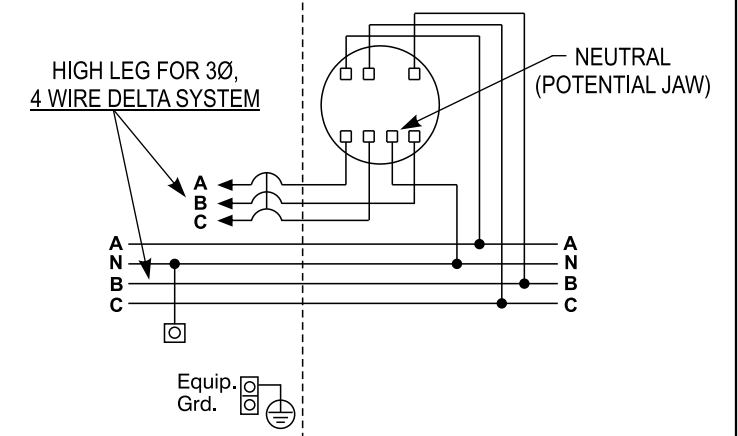
- TYPE 3R OUTDOOR ENCLOSURE
- 208Y/120 VOLTS AC, 3 PHASE, 4 WIRE
- 240/120 VOLTS AC, 3 PHASE, 4 WIRE DELTA
- 3 PHASE INPUT, 3 PHASE OUTPUT
- MOUNTING RAILS AND ADJUSTABLE BRACKETS FOR SECURE MOUNTING

## Additional Modules and Accessories

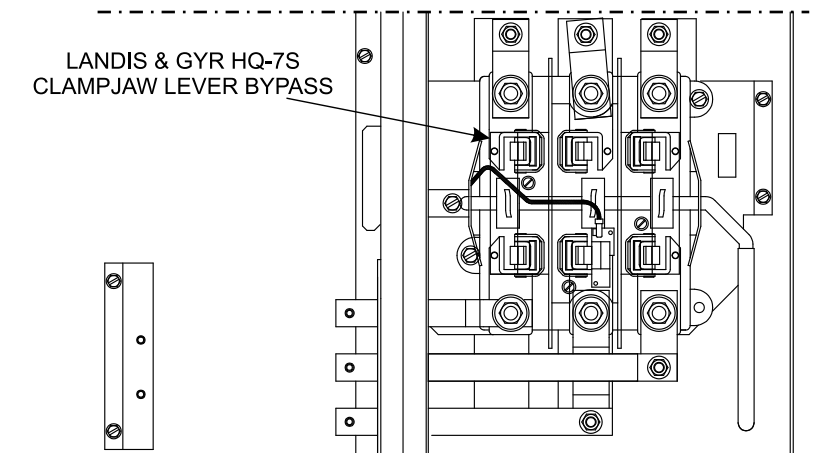
| FOR USE WITH:<br>Module Description | Siemens Series#                              |
|-------------------------------------|--|
| Main Breakers                       | WB(M), WEB(M), WXB, BFT                      |
| Switches                            | WMP, WS, WES, WXS                            |
| Tap/Terminal Boxes                  | WTB, WET, WT, PU, WTBN, WBT                  |
| Pull Boxes                          | WMMB   |
| Meter Module                        | (W)MM, (W)MT, (W)ML, (W)MK, (W)MLZ(F), (W)MN |
| Meter Combinations                  | WC, WCL, WCT,                                |
| Extension Box                       | WSP, WSPD                                    |
| Bussed Elbow                        | BE, WELB                                     |

| Connect Modules Using: | Catalog Number / Torque                   |
|------------------------|---|
| QuickConnect, 3 Phase  | QC4, Torque 400-440 lb-in (35-36 ft.-lb.) |

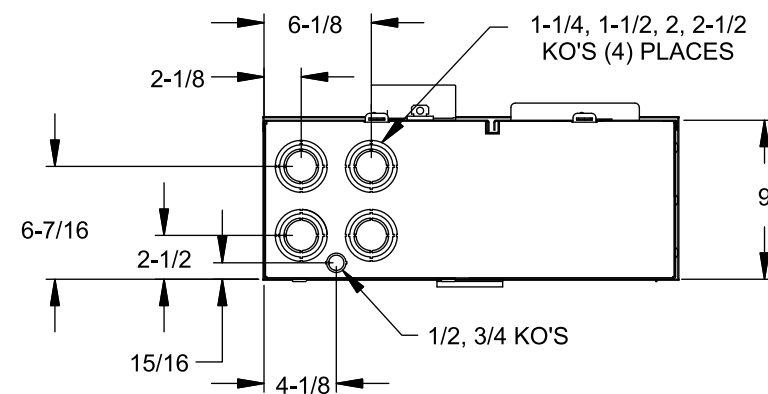
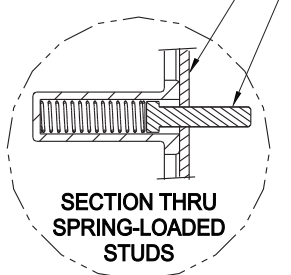
## Schematic



## Enlarged Socket Detail



#10-32 x 7/8 SCREWS  
ENCLOSURE WALL



© 2018 Copyright Siemens Industry, Inc.

**SIEMENS**  
Siemens Industry, Inc.

**PowerMod™ Modular Metering**

Description:  
**Lever Bypass 1 Position 225A Tenant  
3in-3out Commercial Metering Module**

KAM 3/28/18 DO NOT SCALE DRAWING Dwg No: **WML13225RJ**