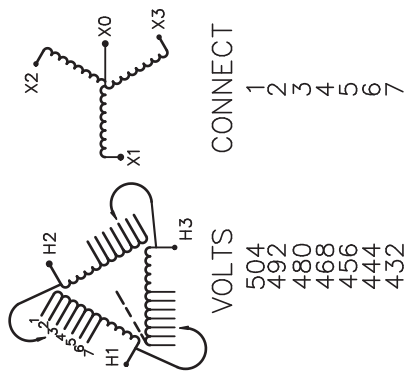


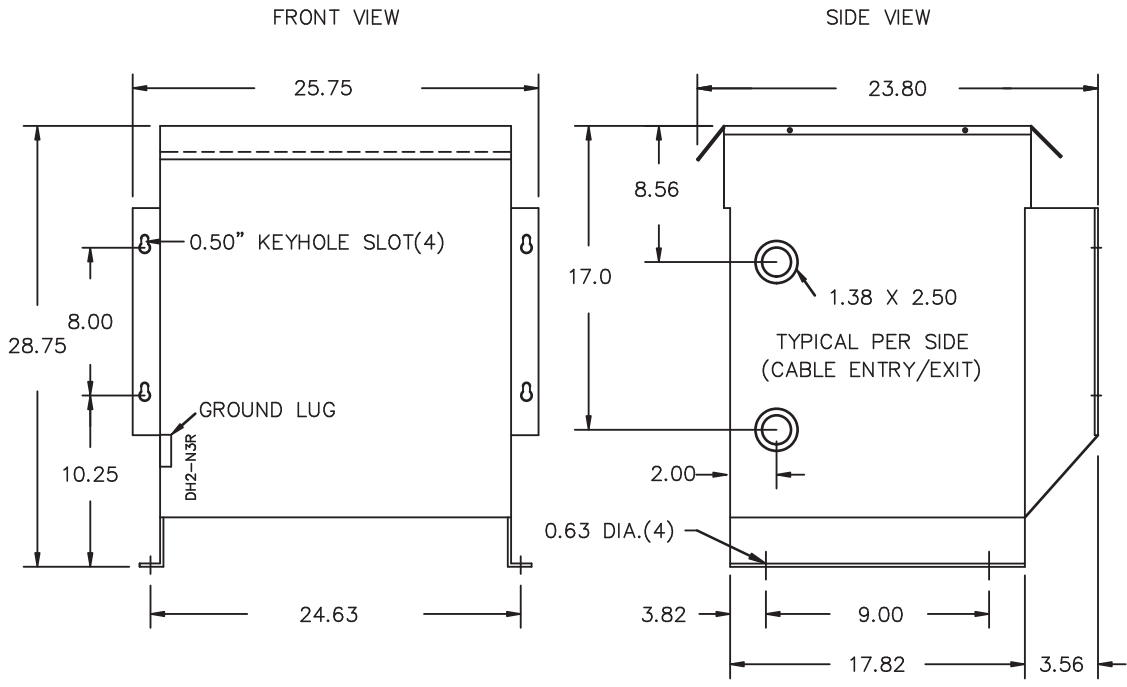
| REVISION | DATE     | BY | DATE     | BY |
|----------|----------|----|----------|----|
|          |          |    | 15/11/23 | PP |
|          |          |    |          |    |
| 1        | 16/11/18 | RM |          |    |

|   |                |           |
|---|----------------|-----------|
| Confidential - Property of<br><b>Siemens Industry, Inc.</b> |                |           |
| CUSTOMER  |                |           |
| ORDER NO.   | DWG. NO.       | 1         |
|   | 3F3Y030BESCD16 | SH 1 OF 2 |

# SIEMENS

|  |   |       |     |  |     |  |     |  |     |  |     |  |     |  |     |   |   |   |   |   |   |   |   |
|--|---|-------|-----|--|-----|--|-----|--|-----|--|-----|--|-----|--|-----|---|---|---|---|---|---|---|---|
| <p>CATALOG NO. 3F3Y030BESCD16</p> <p>SERIAL NO. SERIES H</p> <p>30 kVA 60 Hz 3 PHASE</p> <p>2.6 % IMP AT 100 °C</p> <p>80 °C RISE 30 °C AVG. AMBIENT</p> <p>220 °C TEMP CLASS 40 °C MAX. AMBIENT</p> <p>PRIMARY ( H1 H2 H3 ) 480 V 10 kV BIL</p> <p>SECONDARY( X0 X1 X2 X3 ) 208Y/120 V 10 kV BIL</p> <p>WINDING MATERIAL CU</p> <p>ENCLOSURE TYPE 3R WEIGHT 385 LBS</p> <p>ENERGY EFFICIENCY EXCEEDS CSA C802.2-2012 DOE 10 CFR PART 431:2016</p> <p>SPACINGS BETWEEN ANY VENTILATED ENCLOSURE PANEL AND ANY ADJACENT WALL SHALL BE A MINIMUM OF 3 INCHES ELECTROSTATIC SHIELD</p> <p>SUITABLE FOR INDOOR OR OUTDOOR LOCATIONS BEFORE HANDLING, INSTALLING AND OPERATING; SEE INSTRUCTION MANUAL</p> <p>NEMA Class ANN Dry Type Transformer Siemens Industry, Inc. Norcross, GA <small>dsu0086e</small></p> |  <table style="margin-left: auto; margin-right: auto;"> <tr> <td>VOLTS</td> <td>504</td> </tr> <tr> <td></td> <td>492</td> </tr> <tr> <td></td> <td>480</td> </tr> <tr> <td></td> <td>468</td> </tr> <tr> <td></td> <td>456</td> </tr> <tr> <td></td> <td>444</td> </tr> <tr> <td></td> <td>432</td> </tr> </table> <p>CONNECT</p> <table style="margin-left: auto; margin-right: auto;"> <tr><td>1</td></tr> <tr><td>2</td></tr> <tr><td>3</td></tr> <tr><td>4</td></tr> <tr><td>5</td></tr> <tr><td>6</td></tr> <tr><td>7</td></tr> </table> | VOLTS | 504 |  | 492 |  | 480 |  | 468 |  | 456 |  | 444 |  | 432 | 1 | 2 | 3 | 4 | 5 | 6 | 7 | <p>TYPE K</p> <p>DRY TYPE TRANSFORMER</p> <p><b>UL</b> LISTED 77UL5 E112313 LR 3902</p> <p>SEISMIC QUALIFICATIONS, FLOOR MOUNT ONLY<br/>OSP-0136-10 IBC 2012/ASCE 7-10<br/>SDS&lt;=2.0g z/h=1 p=1.5</p> |
| VOLTS  | 504   |       |     |  |     |  |     |  |     |  |     |  |     |  |     |   |   |   |   |   |   |   |   |
|  | 492   |       |     |  |     |  |     |  |     |  |     |  |     |  |     |   |   |   |   |   |   |   |   |
|  | 480   |       |     |  |     |  |     |  |     |  |     |  |     |  |     |   |   |   |   |   |   |   |   |
|  | 468   |       |     |  |     |  |     |  |     |  |     |  |     |  |     |   |   |   |   |   |   |   |   |
|  | 456   |       |     |  |     |  |     |  |     |  |     |  |     |  |     |   |   |   |   |   |   |   |   |
|  | 444   |       |     |  |     |  |     |  |     |  |     |  |     |  |     |   |   |   |   |   |   |   |   |
|  | 432   |       |     |  |     |  |     |  |     |  |     |  |     |  |     |   |   |   |   |   |   |   |   |
| 1  |   |       |     |  |     |  |     |  |     |  |     |  |     |  |     |   |   |   |   |   |   |   |   |
| 2  |   |       |     |  |     |  |     |  |     |  |     |  |     |  |     |   |   |   |   |   |   |   |   |
| 3  |   |       |     |  |     |  |     |  |     |  |     |  |     |  |     |   |   |   |   |   |   |   |   |
| 4  |   |       |     |  |     |  |     |  |     |  |     |  |     |  |     |   |   |   |   |   |   |   |   |
| 5  |   |       |     |  |     |  |     |  |     |  |     |  |     |  |     |   |   |   |   |   |   |   |   |
| 6  |   |       |     |  |     |  |     |  |     |  |     |  |     |  |     |   |   |   |   |   |   |   |   |
| 7  |   |       |     |  |     |  |     |  |     |  |     |  |     |  |     |   |   |   |   |   |   |   |   |





All Dimensions in inches

ENCLOSURE COLOR : ANSI 61 GREY – OUTDOOR

HV TERMINAL DETAIL

LV TERMINAL DETAIL

MECHANICAL TYPE LUGS INCLUDED  
SUITABLE FOR #14-2 CU/AL  
CONDUCTORS  
1 CONDUCTOR PER PHASE

MECHANICAL TYPE LUGS INCLUDED  
SUITABLE FOR #2/0-14 CU/AL  
CONDUCTORS  
1 CONDUCTOR PER PHASE

CUSTOMER NOTES:

- HV TERMINATED AT TOP FRONT
- LV TERMINATED AT BOTTOM FRONT

Confidential – Property of  
Siemens Industry, Inc.

| REVISION | DATE     | BY | DATE     | BY | CUSTOMER       |
|----------|----------|----|----------|----|----------------|
|          |          |    | 15/11/23 | PP |                |
|          |          |    |          |    |                |
| 1        | 16/11/18 | RM | VERIF'D  |    |                |
|          |          |    |          |    | ORDER NO.      |
|          |          |    |          |    | DWG. NO.       |
|          |          |    |          |    | 1              |
|          |          |    |          |    | 3F3Y030BESCD16 |
|          |          |    |          |    | SH 2 OF 2      |

1.0 rmova 2016/11/18 15:05