

FOR APPROVAL ONLY

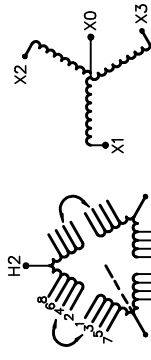
SIEMENS

CATALOG NO. 3F3Y750FD16
 SERIAL NO. SERIES H
 750 kVA 60 Hz 3 PHASE
 6.7 % IMP AT 135 °C

115 °C RISE 30 °C AVG. AMBIENT
 220 °C TEMP CLASS 40 °C MAX. AMBIENT

PRIMARY (H1 H2 H3) 480 V 10 kV BIL
 SECONDARY(X0 X1 X2 X3) 208Y/120 V 10 kV BIL

WINDING MATERIAL AL WEIGHT 4500LBS
 ENCLOSURE TYPE 3R EXCEEDS CSA D0E 10 CFR PART 431:2016
 ENERGY EFFICIENCY C802.2-2012



VOLTS
 504
 492
 480
 468
 456
 444
 432

CONNECT
 1-2
 2-3
 3-4
 4-5
 5-6
 6-7
 7-8



TYPE K

UL LISTED
 DRY TYPE TRANSFORMER
 E112313 LR 3902

SEISMIC QUALIFICATIONS, FLOOR MOUNT ONLY
 OSP-0136-10 IBC 2012/ASCE 7-10
 SDS<=2.0g Z/h=1 Ip=1.5

SUITABLE FOR INDOOR OR OUTDOOR LOCATIONS
 BEFORE HANDLING, INSTALLING AND OPERATING, SEE INSTRUCTION MANUAL

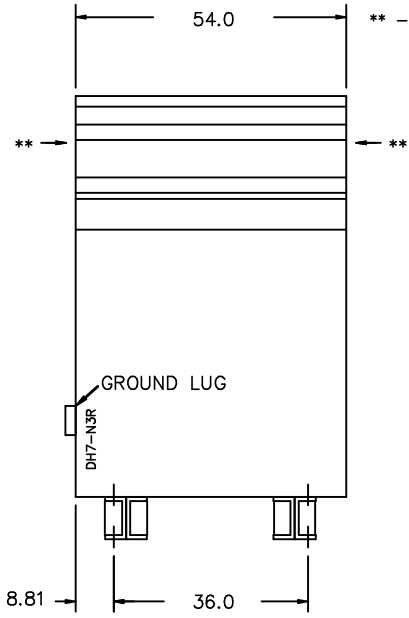
NEMA Class ANN Dry Type Transformer Siemens Industry, Inc. Norcross, GA des0086e

REVISION	DATE	BY	DATE	BY
		DRAWN	19/06/07	DC
		CHEK'D		
		VERIF'D		

CUSTOMER		Siemens Industry, Inc.	
ORDER NO.	DWG. NO.		
	3F3Y750FD16		SH 1 OF 3

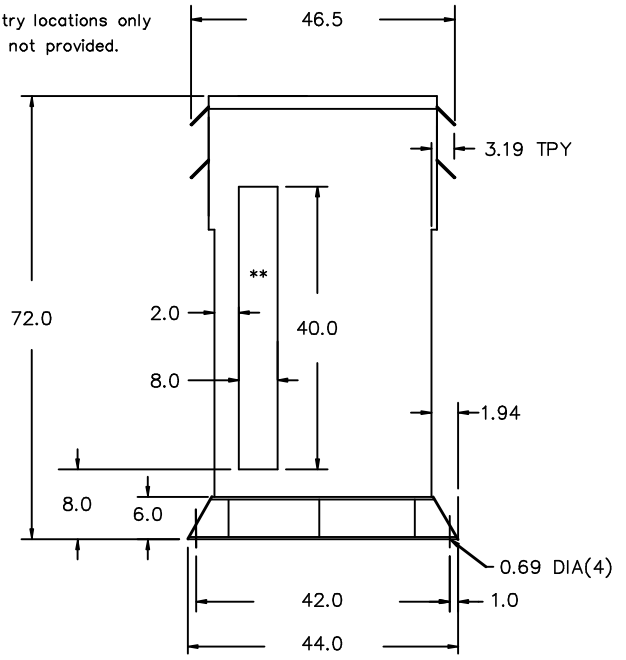
FOR APPROVAL ONLY

FRONT VIEW



** - Recommended cable entry locations only
cutouts & gland plates not provided.

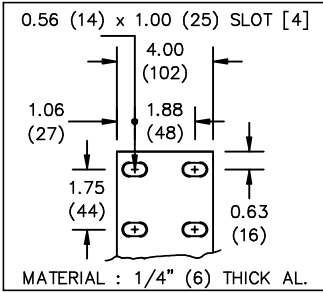
SIDE VIEW



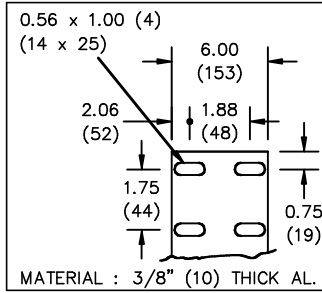
All Dimensions in inches

ENCLOSURE COLOR : ANSI 61 GREY - OUTDOOR

HV TERMINAL DETAIL



LV TERMINAL DETAIL



CUSTOMER NOTES:

- HV TERMINATED AT TOP FRONT
- LV TERMINATED AT BOTTOM FRONT

Siemens Industry, Inc.

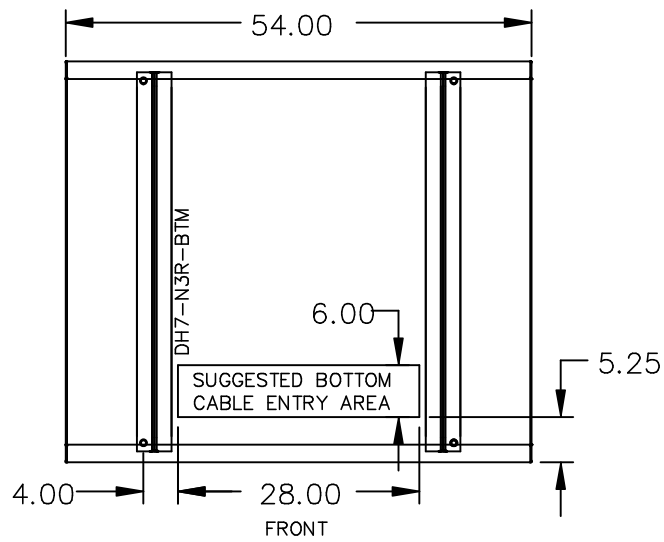
REVISION	DATE	BY	DATE	BY
			19/06/07	DC

CUSTOMER	
ORDER NO.	DWG. NO. 3F3Y750FD16
SH 2 OF 3	

0.1 dcortez 2019/06/07 16:40

FOR APPROVAL ONLY

ENCLOSURE BOTTOM VIEW



NOTE:
 WHEN BOTTOM CABLE ENTRY IS OPTED, THE SPACE USED FOR CONDUITS IN THE FRONT OF THE TRANSFORMER SHOULD NOT OBSTRUCT MORE THAN 50% OF THE FRONT AIR INTAKE AREA DEFINED BETWEEN THE BOTTOM PLATE AND THE SUPPORTING LEGS.
 SEE MANUAL FOR ADDITIONAL INFORMATION

Siemens Industry, Inc.

REVISION	DATE	BY	DATE	BY
		DRAWN	19/06/07	DC
		CHEK'D		
		VERIF'D		

CUSTOMER		
ORDER NO.	DWG. NO. 3F3Y750FD16	SH 3 OF 3

0.1 dcortez 2019/06/07 16:40