



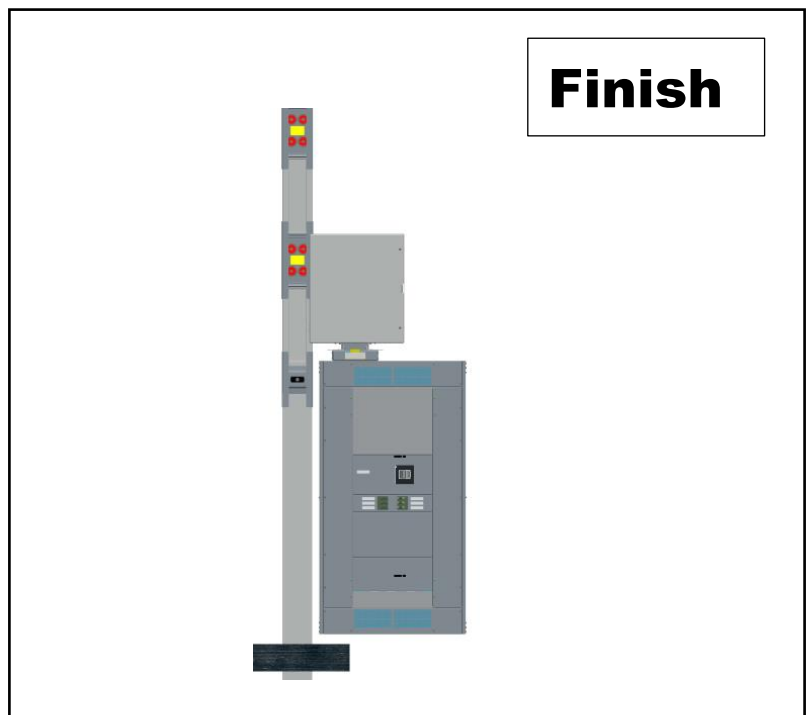
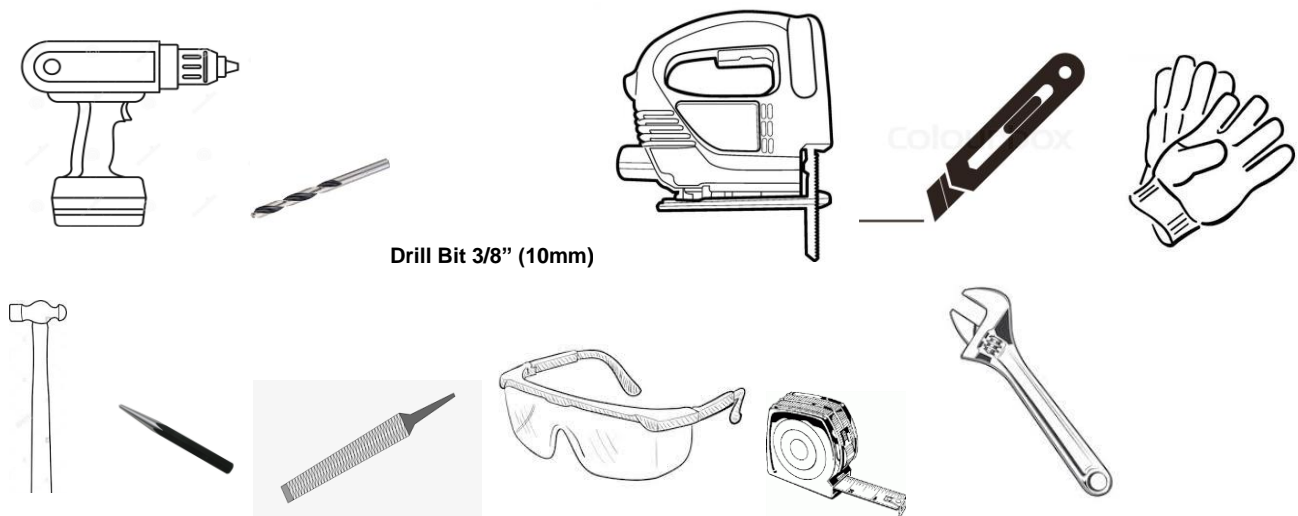
INSTALLATION INSTRUCTION

SENTRON BUSWAY JOINT MOUNTED TAP BOX ("JMTB") WITH TBNK SERIES FLEXIBLE CONNECTIONS CATALOG NO'S: TBNK4, TBNK6 TBNK8

	⚠ DANGER	
	<ul style="list-style-type: none">• Hazardous voltage• Will cause death or serious injury• Disconnect power before working inside this equipment	

Warning: All equipment must be de-energized before starting this Installation.

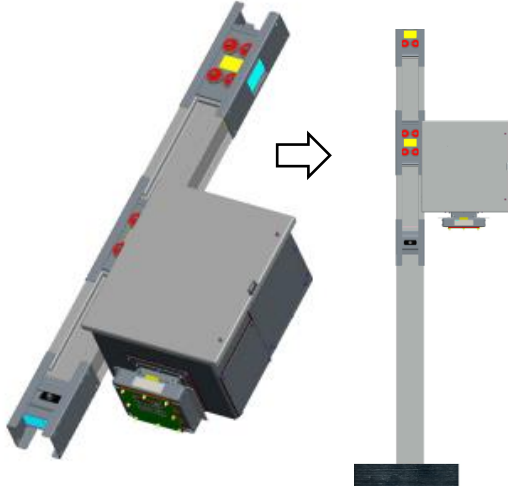
Required Tools:



NOTE: Actual Equipment may appear different than equipment shown in this instruction.

Warning: All equipment must be de-energized before starting this Installation.

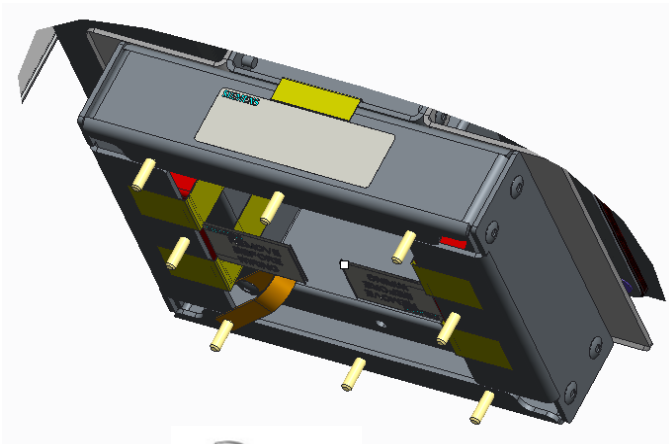
Step 1 - Install JMTB assembly into Busway Run



Install Joint Mounted Tap Box Assembly into Busway Run.

IMPORTANT:
Busway installation must be complete including Vertical Installation adjustments outlined in Section 8 of Sentron Storage, Installation and Maintenance Instruction 31-9918-01 before beginning step 2 below.

Step 2 - Prepare TBNK fitting for mounting to enclosure



Remove & retain nuts and bushing

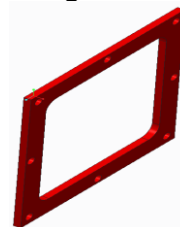


TBNK8 - 8
TBNK6 - 8
TBNK4 - 4

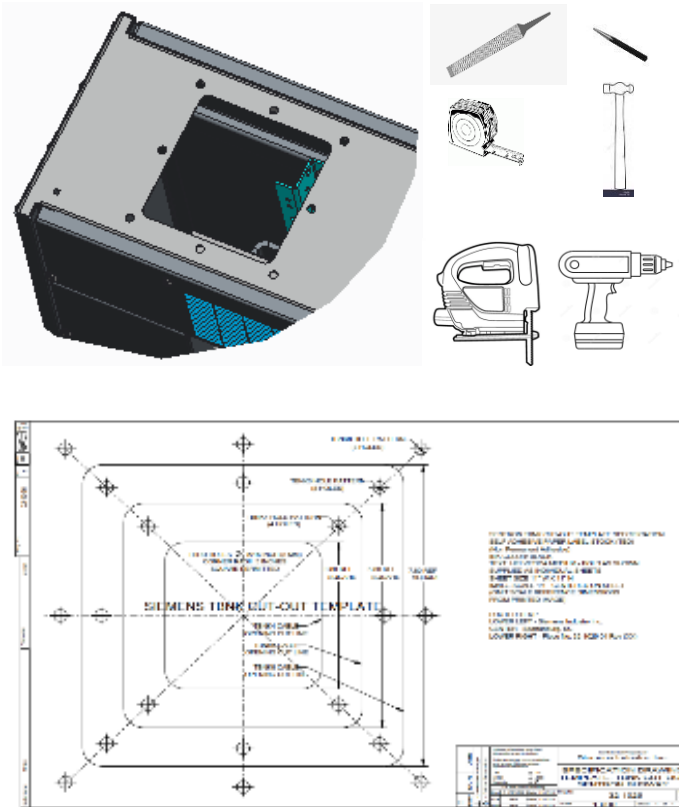
Remove & Discard Plate



Remove & Retain Bushing



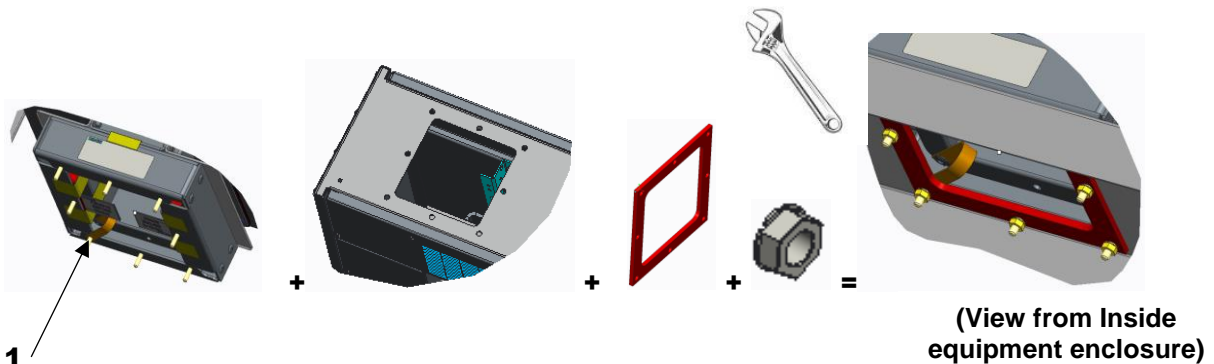
Step 3 - Cut Enclosure Opening



Cut Enclosure openings

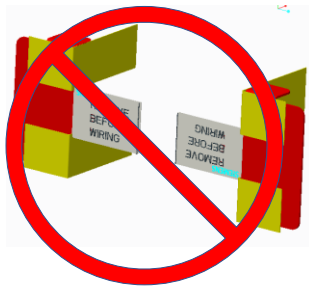
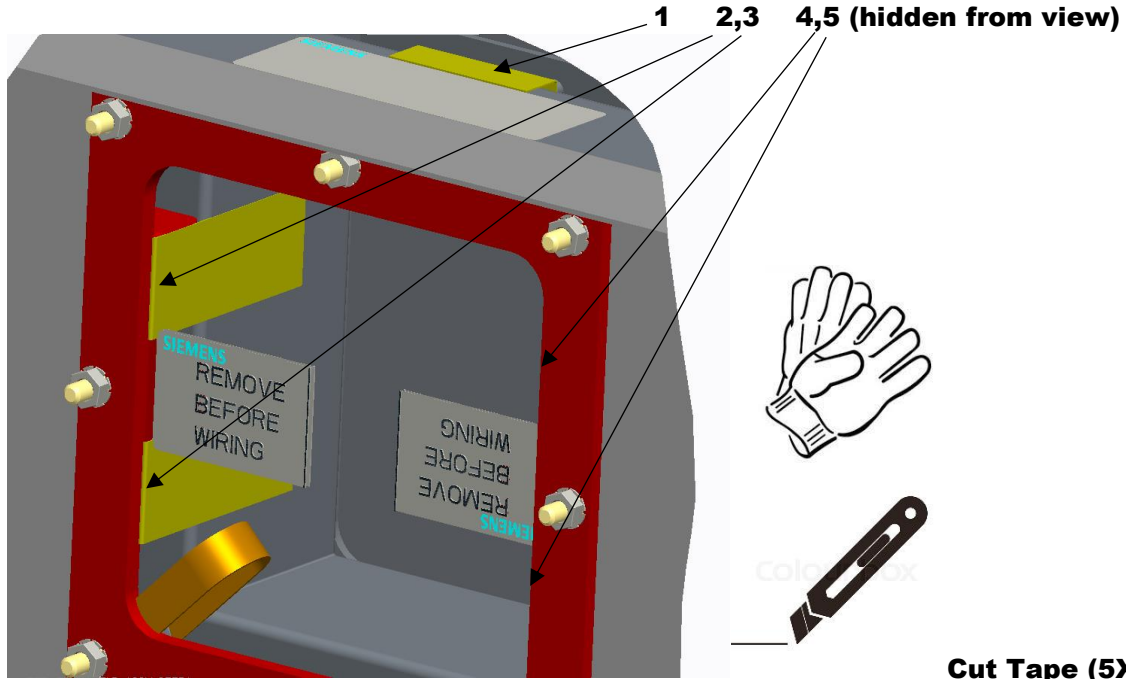
1. - Measure and mark Cut-out location on enclosure.
- Remove backing from template provided. Align with enclosure markings and adhere template onto enclosure.
2. - Center punch appropriate TBNK Hole pattern then drill using 3/8" (8mm) drill.
3. - Drill 3/8" holes at corners of square opening and cut.
4. - Deburr all metal edges.
- Remove paint from outside of enclosure around hole corresponding to ground cable location (see TBNK fitting).
- Remove all shavings from inside enclosure.

Step 4 - Mount enclosure onto TBNK Fitting

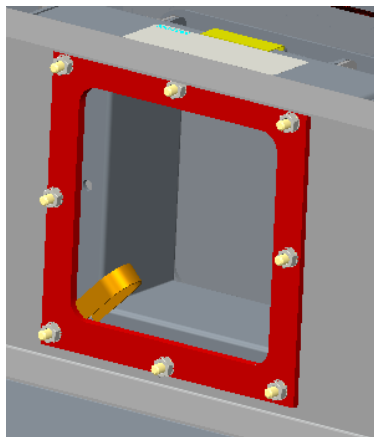


1. - Ensure ground cable is placed over corner stud on TBNK and will be captured between enclosure and TBNK fitting at the hole where paint was removed.
2. - Align enclosure holes with studs on TBNK Fitting and move enclosure into place.
3. - Install red bushing over studs inside the equipment enclosure, install nuts and hand tighten firmly - Do NOT break bushing.
4. Remove burrs and any sharp edges around the opening that could cut, abrade or otherwise damage cables.

Step 5



Remove and Discard Spacers and tape (2X)



Ready to connect cables

NOTE: Remove any shavings, debris and tools from inside equipment.