

# SIEMENS

CATALOG NO. 3F3Y300K4CLN3D16

SERIAL NO. SERIES H

300 kVA 60 Hz 3 PHASE

3.9 % IMP AT 170 °C

150 °C RISE 30 °C AVG. AMBIENT

220 °C TEMP CLASS 40 °C MAX. AMBIENT

PRIMARY ( H1 H2 H3 ) 480V V 10 kV BIL

SECONDARY( X0 X1 X2 X3 ) 208Y/120V V 10 kV BIL

WINDING MATERIAL CU

ENCLOSURE TYPE 3R WEIGHT 1800 LBS

ENERGY EFFICIENCY EXCEEDS CSA DOE 10 CFR PART 431:2016

SPACINGS BETWEEN ANY VENTILATED ENCLOSURE PANEL AND ANY ADJACENT WALL SHALL BE A MINIMUM OF 5 INCHES EXCEPT WHEN WALL MOUNTED USING APPROVED WALL MOUNTING KIT ELECTROSTATIC SHIELD

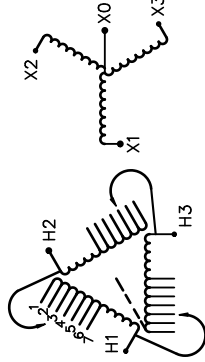
SOUND LEVEL 3dB BELOW NEMA ST20 REQUIREMENTS

SUITABLE FOR NONSINUSOIDAL CURRENT LOAD WITH K-FACTOR NOT TO EXCEED K-4 SUITABLE FOR INDOOR OR OUTDOOR LOCATIONS BEFORE HANDLING, INSTALLING AND OPERATING, SEE INSTRUCTION MANUAL

NEMA Class ANN Dry Type Transformer

Siemens Industry, Inc. Norcross, GA

68000876



| VOLTS | CONNECT |
|-------|---------|
| 504   | 1       |
| 492   | 2       |
| 480   | 3       |
| 468   | 4       |
| 456   | 5       |
| 444   | 6       |
| 432   | 7       |



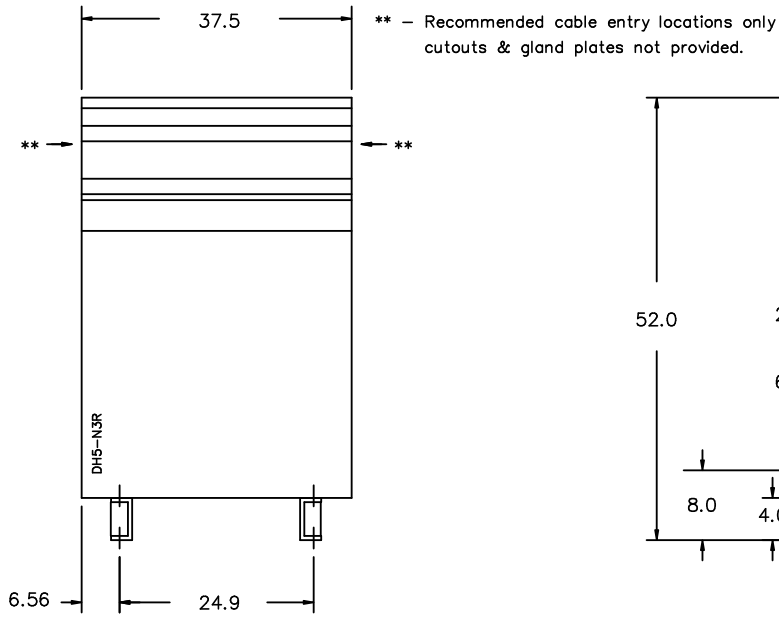
SEISMIC QUALIFICATIONS, FLOOR MOUNT ONLY  
OSP-0136-10 IBC 2012/ASCE 7-10  
SDS<=2.0g Z/h=1 Ip=1.5



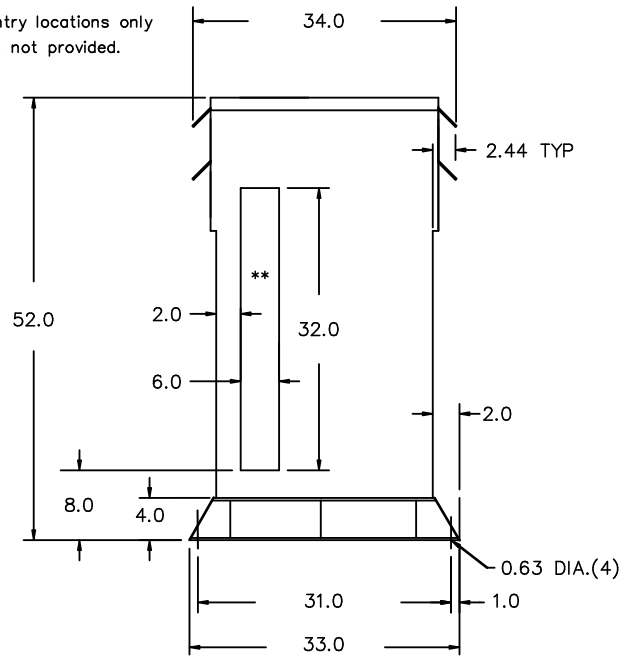
| REVISION | DATE | BY      | DATE     | BY |
|----------|------|---------|----------|----|
|          |      | DRAWN   | 15/11/17 | JW |
|          |      | CHEK'D  |          |    |
|          |      | VERIF'D |          |    |

|  |                  |           |
|--|------------------|-----------|
| Confidential - Property of<br>Siemens Industry, Inc. |                  |           |
| CUSTOMER   |                  |           |
| ORDER NO.  | DWG. NO.         |           |
|  | 3F3Y300K4CLN3D16 | SH 1 OF 2 |

FRONT VIEW



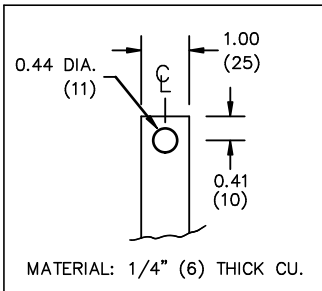
SIDE VIEW



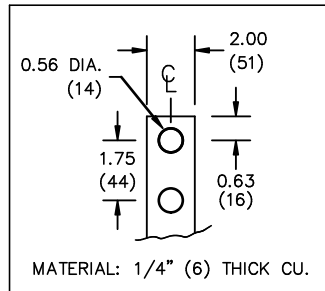
All Dimensions in inches

ENCLOSURE COLOR : ANSI 61 GREY - OUTDOOR

H.V.1. TERMINAL DETAIL



L.V.1. TERMINAL DETAIL



CUSTOMER NOTES:

- HV1 TERMINATED AT TOP FRONT
- LV1 TERMINATED AT BOTTOM FRONT

Confidential - Property of  
Siemens Industry, Inc.

| REVISION | DATE | BY | DATE           | BY | CUSTOMER                   |
|----------|------|----|----------------|----|----------------------------|
|          |      |    | DRAWN 15/11/17 | JW |                            |
|          |      |    | CHEK'D         |    |                            |
|          |      |    | VERIF'D        |    |                            |
|          |      |    |                |    | ORDER NO.                  |
|          |      |    |                |    | DWG. NO.                   |
|          |      |    |                |    | 3F3Y300K4CLN3D16 SH 2 OF 2 |