

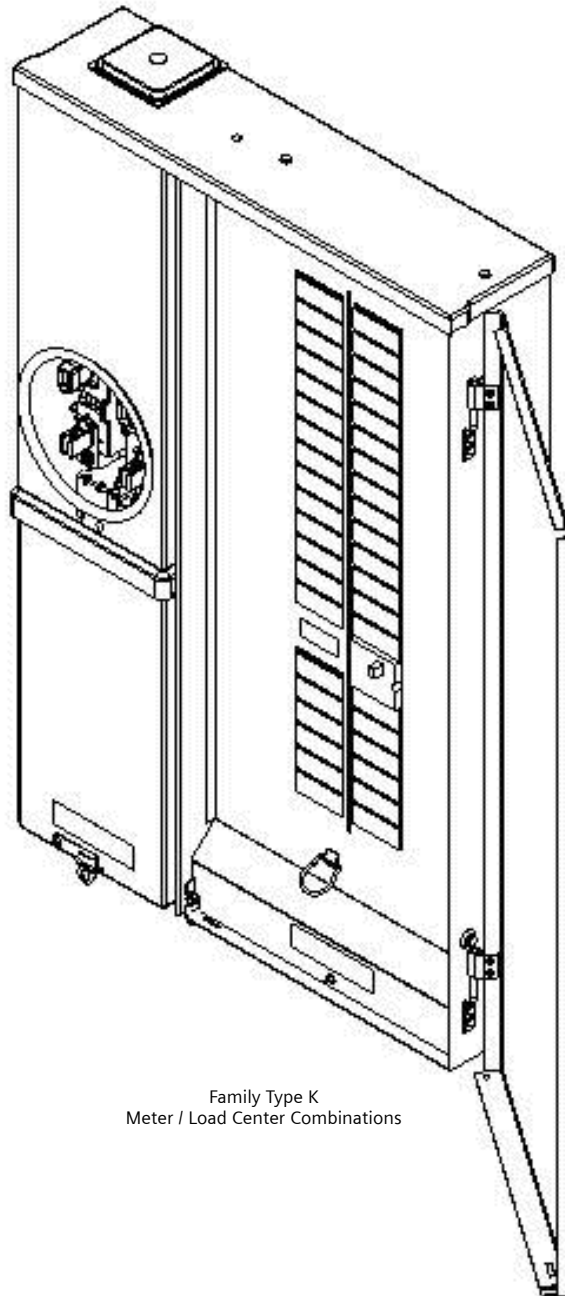
Meter / Load Center Combinations

Family Type K – General Information

FEATURES

- UL Listed only for use as service entrance equipment.
- Overhead and underground feed.
- Side-hinged door, requires the removal of only one screw to remove door.
- Captive deadfront screw.
- 22k AIC rating.
- Ring type meter cover.
- Surface mounting.
- NEMA Type 3R enclosure with painted, G90 galvanized steel.
- Ample wiring room.
- Flush rail kit available for flush mounting.
- Type RX hub provision.
- Rigid molded basepan.
- *INSTA-WIRE*® neutrals.
- Visible neutrals.
- Deadfront pull ring.

| Catalog Number | Spaces | Circuits | Amperage |
|------------------------|--------|----------|----------|
| JA3040B1200SECW | 30 | 40 | 200 |
| JA4040B1200SECW | 40 | 40 | 200 |



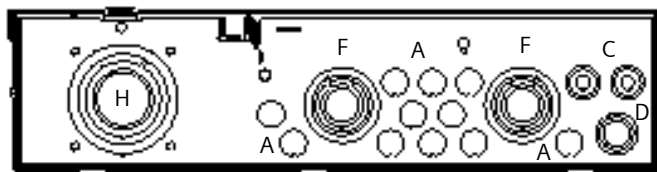
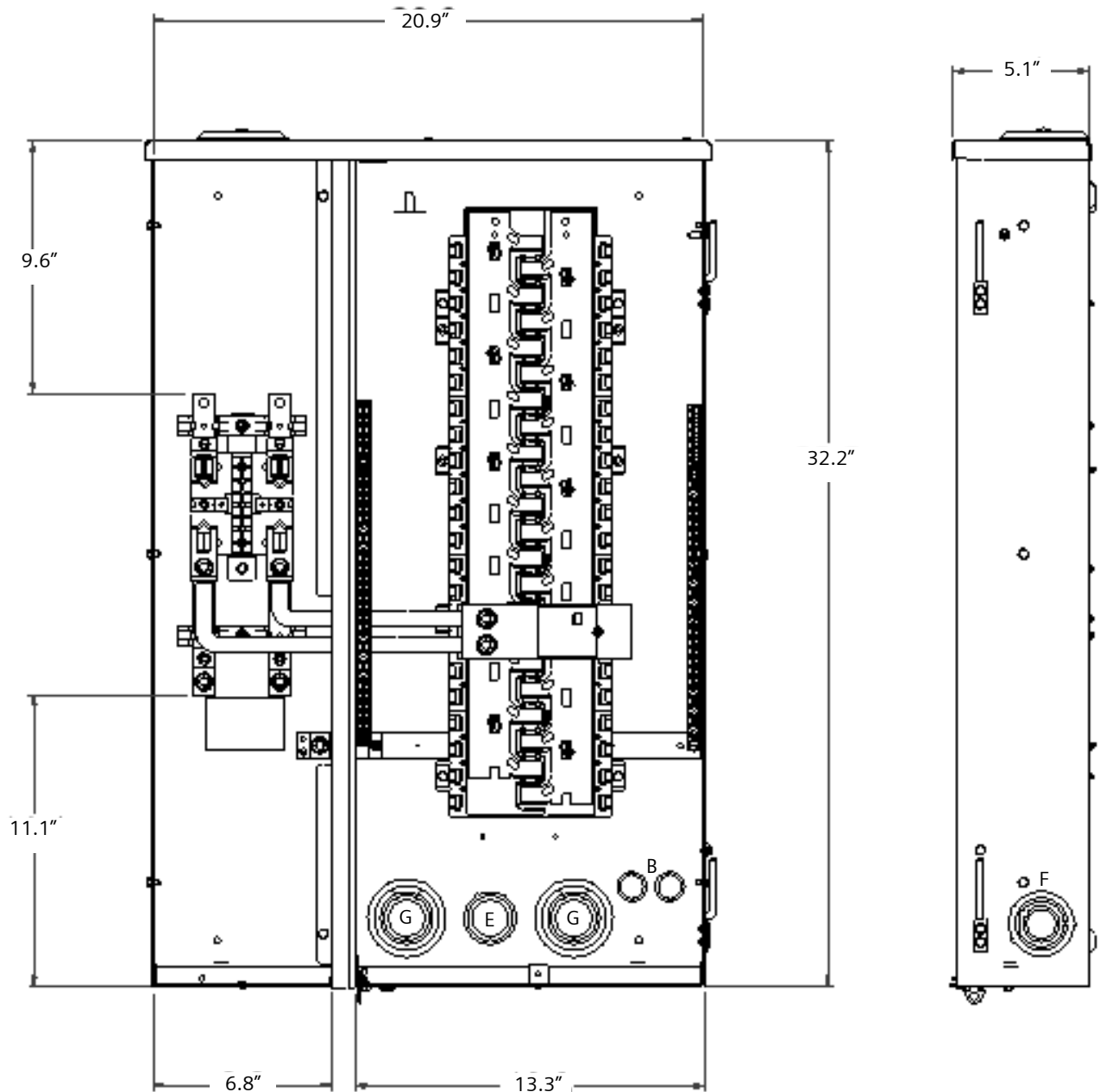
Family Type K
Meter / Load Center Combinations

fastfax

MURRAY

Meter / Load Center Combinations

Family Type K – Dimensional Drawing



KNOCKOUT CODE

A = 1/2"

B = 1/2", 3/4"

C = 3/8", 1/2", 3/4"

D = 1/2", 3/4", 1"

E = 1", 1-1/4", 1-1/2"

F = 3/4", 1", 1-1/4", 1-1/2", 2"

G = 1-1/2", 2", 2-1/2"

H = 1", 1-1/4", 2", 2-1/2", 3"

Rainproof Combination Metering

Catalog number

JA3040B1200SECW

Enclosure

Type 3R

Panelboard Rating

200 Amps, Max
120/240 Volts ~, 1 phase, 3 wire
208Y/120 Volts ~, 1 phase, 3 wire
(Derived from 3 phase – 4 wire system)

Meter Socket Rating

200 Amps Continuous

Suitable Only For Use As Service Equipment

For Overhead or Underground Service

Use 60/75° C Copper or Aluminum Conductor in Terminals A1, B1, A2, B2, N1, and N2.

Line Terminals A and B have wire connectors installed for Underground service entry as shown in the wire diagram, Location A1 and B1. For overhead entry, remove wire connectors from location A1 and B1 and install in location A2 and B2. Torque the sems nut to 40-45 lb in.

Unused neutral branch terminals may be used to terminate equipment grounding wires in the combinations indicated for equipment ground bar terminals

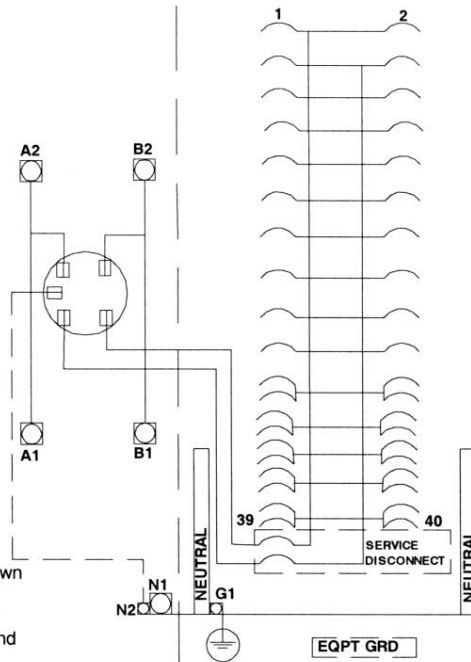
General Information:

Circuit Breakers overload trip position is indicated by handle position midway between ON and OFF. To reset, move handle to OFF position then turn ON. For installation in accordance with all local Electrical codes and/or the National Electrical Code®.

Short Circuit Current Rating (Wathour Meter not included in short circuit rating)

This panelboard has a short circuit current rating of 22,000 Amps RMS symmetrical, 120/240 V~. The correct branch circuit breakers and main/branch breaker series combinations to be used for various short circuit current levels are listed in the tabulation below. Any circuit breaker installed, replaced, or added in this panelboard must be manufactured by Siemens and must be of the correct type as indicated in the tabulation below.

| Main Breaker | Branch Breaker | Then the maximum short circuit rating in RMS symmetrical amperes, 120/240 V ~ is: |
|---------------------------|--|---|
| When the main breaker is: | And the branch breakers installed are Murray Type: | |
| MD-HTR | MP-T, MP-GT, MP-HGT, MP-HT, MP-AT, MP-HAT, MP-ET, MP-HET | 22,000 |



| Trade size (in) | Catalog number |
|-----------------|----------------|
| 1 ¼" | RX125 |
| 1 ½" | RX150 |
| 2" | RX200 |
| 2 ½" | RX250 |

| Terminal | Wire Size | Torque |
|--|-------------------------|-----------|
| A1, B1, A2, B2 | 250 kcmil - #4 | 250 lb in |
| N1 | 300 kcmil-#6 | 275 lb in |
| N2 | #2-#14 | 50 lb in |
| G1 | 1/0-#14 | 120 lb in |
| Branch Breaker Terminals | See Markings on Breaker | |
| Neutral Bar/Ground Bar (Use type GB Ground Bar Kit Accessory) | #10-#14 CU | 20 lb in |
| | #10-#12 AL | 20 lb in |
| | #8 | 25 lb in |
| Ground Conductors Only | #6-#4 | 35 lb in |
| | (2) Or (3) #14 | 20 lb in |
| | (2) #12-#10 | 20 lb in |

Accessories:

| | |
|-------------------------------|---------|
| Filler Plate | LX100FP |
| 5 th Jaw Accessory | MC5JM |
| Mechanical Interlock | BX300X |
| Flush Rail Kit | FRK1M |
| Meter Socket Jumper | SX186M |

Ground Bars

| Catalog Number | Taps |
|---------------------|------|
| GB5M | 5 |
| GB10M | 10 |
| GB14M | 14 |
| GB20M | 20 |
| INSGB5M (Insulated) | 5 |

Lug Kits

| Catalog Number | Wire Range | Torque |
|----------------|---------------|-----------|
| DLK | 2/0- #2 | 45 lb in |
| DLK2 | 2/0- #4 | 135 lb in |
| DLK3 | 300 kcmil- #1 | 340 lb in |

Part No. 4099633 Rev A

Important.

Do not spray or allow any petroleum based chemicals, solvents, or paint to contact interior components.

©The National Electrical Code is a recognized trademark of National Fire Protection Association.

Assembled in Mexico

Murray Electrical Products

Siemens Energy & Automation, Inc.

Alpharetta, Georgia U.S.A.

E10703

MURRAY

Rainproof Combination Metering

Catalog number

JA4040B1200SECW

Enclosure

Type 3R

Panelboard Rating

200 Amps, Max
120/240 Volts ~, 1 phase, 3 wire
208Y/120 Volts ~, 1 phase, 3 wire
(Derived from 3 phase – 4 wire system)

Meter Socket Rating

200 Amps Continuous

Suitable Only For Use As Service Equipment

For Overhead or Underground Service

Use 60/75° C Copper or Aluminum Conductor in

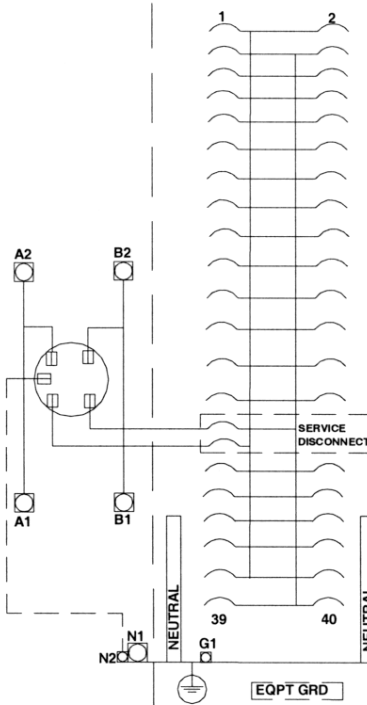
Terminals A1, B1, A2, B2, N1, and N2.

Line Terminals A and B have wire connectors installed for Underground service entry as shown in the wire diagram, Location A1 and B1. For overhead entry, remove wire connectors from location A1 and B1 and install in location A2 and B2. Torque the sems nut to 40-45 lb in.

Unused neutral branch terminals may be used to terminate equipment grounding wires in the combinations indicated for equipment ground bar terminals

General Information:

Circuit Breakers overload trip position is indicated by handle position midway between ON and OFF. To reset, move handle to OFF position then turn ON. For installation in accordance with all local Electrical codes and/or the National Electrical Code®.



| If hub is required, the catalog numbers listed Below may be used on the top of this enclosure | |
|---|----------------|
| Trade size (in) | Catalog number |
| 1 ¼" | RX125 |
| 1 ½" | RX150 |
| 2" | RX200 |
| 2 ½" | RX250 |

| Terminal | Wire Size | Torque |
|--|-------------------------|-----------|
| A1, B1, A2, B2 | 250 kcmil - #4 | 250 lb in |
| N1 | 300 kcmil-#6 | 275 lb in |
| N2 | #2-#14 | 50 lb in |
| G1 | 1/0-#14 | 120 lb in |
| Branch Breaker Terminals | See Markings on Breaker | |
| Neutral Bar/Ground Bar (Use type GB Ground Bar Kit Accessory) | #10-#14 CU | 20 lb in |
| | #10-#12 AL | 20 lb in |
| | #8 | 25 lb in |
| Ground Conductors Only | #6-#4 | 35 lb in |
| | (2) Or (3) #14 | 20 lb in |
| | (2) #12-#10 | 20 lb in |

Accessories:

| | |
|-------------------------------|---------|
| Filler Plate | LX100FP |
| 5 th Jaw Accessory | MC5JM |
| Mechanical Interlock | BX300X |
| Flush Rail Kit | FRK1M |
| Meter Socket Jumper | SX186M |

Ground Bars

| Catalog Number | Taps |
|---------------------|------|
| GB5M | 5 |
| GB10M | 10 |
| GB14M | 14 |
| GB20M | 20 |
| INSGB5M (Insulated) | 5 |

Lug Kits

| Catalog Number | Wire Range | Torque |
|----------------|---------------|-----------|
| DLK1 | 2/0- #2 | 45 lb in |
| DLK2 | 2/0- #4 | 135 lb in |
| DLK3 | 300 kcmil- #1 | 340 lb in |

Short Circuit Current Rating (Wattour Meter not included in short circuit rating)

This panelboard has a short circuit current rating of 22,000 Amps RMS symmetrical, 120/240 V~. The correct branch circuit breakers and main/branch breaker series combinations to be used for various short circuit current levels are listed in the tabulation below. Any circuit breaker installed, replaced, or added in this panelboard must be manufactured by Siemens and must be of the correct type as indicated in the tabulation below.

| Main Breaker | Branch Breaker | Then the maximum short circuit rating in RMS symmetrical amperes, 120/240 V ~ is: |
|---------------------------|--|---|
| When the main breaker is: | And the branch breakers installed are Murray Type: | |
| MD-HTR | MP-T, MP-GT, MP-HGT, MP-HT, MP-AT, MP-HAT, MP-ET, MP-HET | 22,000 |

Part No. 4099632 Rev A

Important.

Do not spray or allow any petroleum based chemicals, solvents, or paint to contact interior components.

®The National Electrical Code is a recognized trademark of National Fire Protection Association.

Assembled in Mexico.

Murray Electrical Products

Siemens Energy & Automation, Inc.
Alpharetta, Georgia U.S.A.

E10703

MURRAY

Murray Electrical Products
Siemens Energy & Automation, Inc.
3333 Old Milton Parkway
Alpharetta, GA 30005

1-800-964-4114
www.murrayconnect.com

©2003 Siemens Energy & Automation, Inc. All Rights Reserved. Siemens is a registered trademark of Siemens AG. Murray is a registered trademark of Siemens Energy & Automation, Inc. Product names mentioned may be trademarks or registered trademarks of their respective companies. Specifications are subject to change without notice.