

Commercial/Residential Portable Generators

A/C Rated output watts: 3250
A/C Maximum output watts: 3750

Emissions certification: 49/CSA



Features

- OHV splash lubrication
- High performance alternator
- Steel fuel tank with fuel gauge
- Fold-down handle
- Never-flat wheel kit
- Hardened steel tube cradle
- Circuit breaker protected outlets
- Low tone muffler

Customer connections

Connection outlets

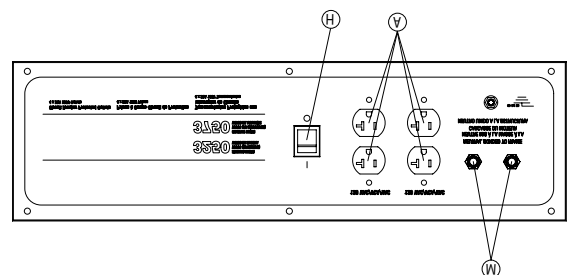
A: (4) 5-20R 120V

Circuit breakers

M: (2) 13.5A

Other features

H: Off/On/Start switch



Data Sheet

www.usa.siemens.com/generators

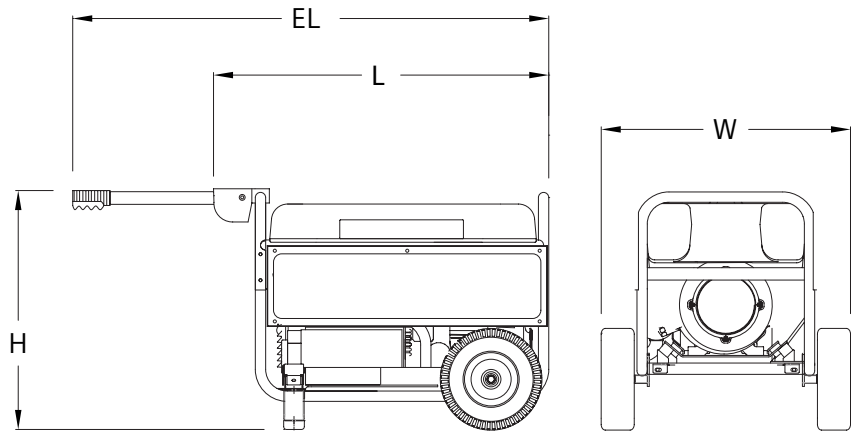
SIEMENS

Specifications

Product series	PG0032
Configuration/emissions	49/CSA
A/C rated output watts:	3250
A/C maximum output watts:	3750
A/C voltage	120VAC
A/C frequency	60 Hz
Rated 120/240 VAC amperage	27.1
Max 120/240 VAC amperage	31.3
Engine displacement	206cc
Engine type	OHV
Engine RPM	3600
Recommended oil	SAE 30
Lubrication method	Splash sump
Choke type	Manual lever
Fuel shut off	Manual lever
Idle control	Full speed
Starting method	Manual
Battery	N/A
Battery size	N/A
Low oil shutdown method	Low level
Start switch type	On/Off toggle
Switch location	On control panel
Single-point lifting eye	N/A
Fuel gauge	Built-in tank
Fuel tank capacity (Gal)	4.00
Fuel tank capacity (Ltrs)	15.14
Run time at 50% (Hours)	12.50
Cord set	N/A
Handle style	Folding
Wheel type	7.0" Solid wheels
Maintenance kit	Sold separately

Dimensions and weights

Length (L)	25.0
Width (W)	21.0
Height (H)	19.5
Extended length (EL)	39.5
Carton length	24.3
Carton width	18.0
Carton height	18.3
Unit Weight (lbs)	91.0
Shipping Weight (lbs)	101.5



Siemens Industry, Inc.
 Building Technologies Division
 5400 Triangle Parkway
 Norcross, GA 30092

1-800-964-4114
 info.us@siemens.com

©2010 Siemens Industry, Inc.
 All Rights Reserved. Siemens is a registered trademark of Siemens AG. Product names mentioned may be trademarks or registered trademarks of their respective companies. Specifications are subject to change without notice.

RPFL-PG032-0110