

Catalog Numbers

Catalog No.	Amperage Rating	Max. Interrupting Rating
1 PHASE, 3 WIRE, 120/240V AC MAX		
WS11200BU	1200	100,000
3 PHASE, 4 WIRE, 240V AC MAX		
WS31200BU	1200	100,000

- FOR UNDERGROUND SERVICE ONLY
- TYPE 3R OUTDOOR ENCLOSURE
- USE CLASS T (300V) FUSES ONLY

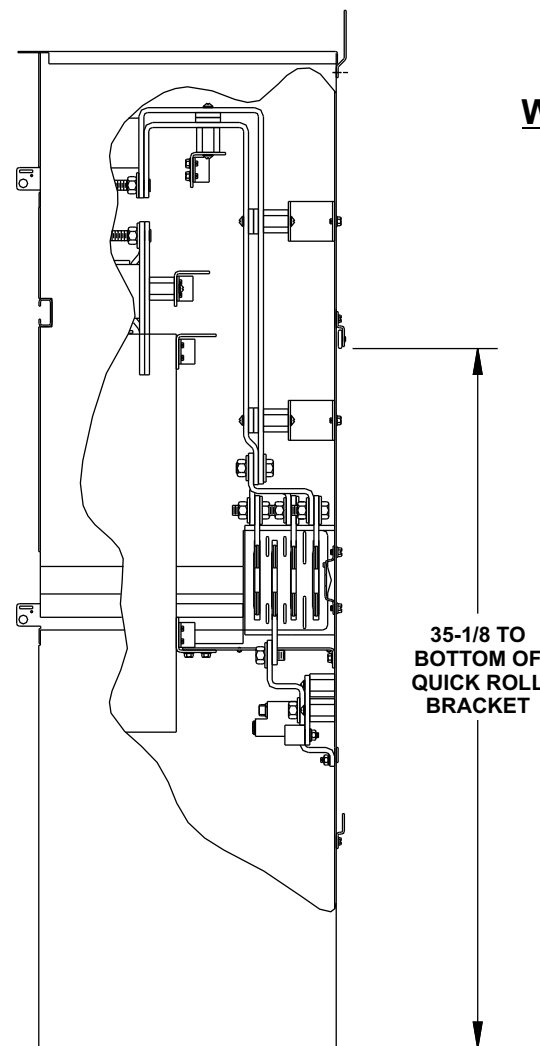
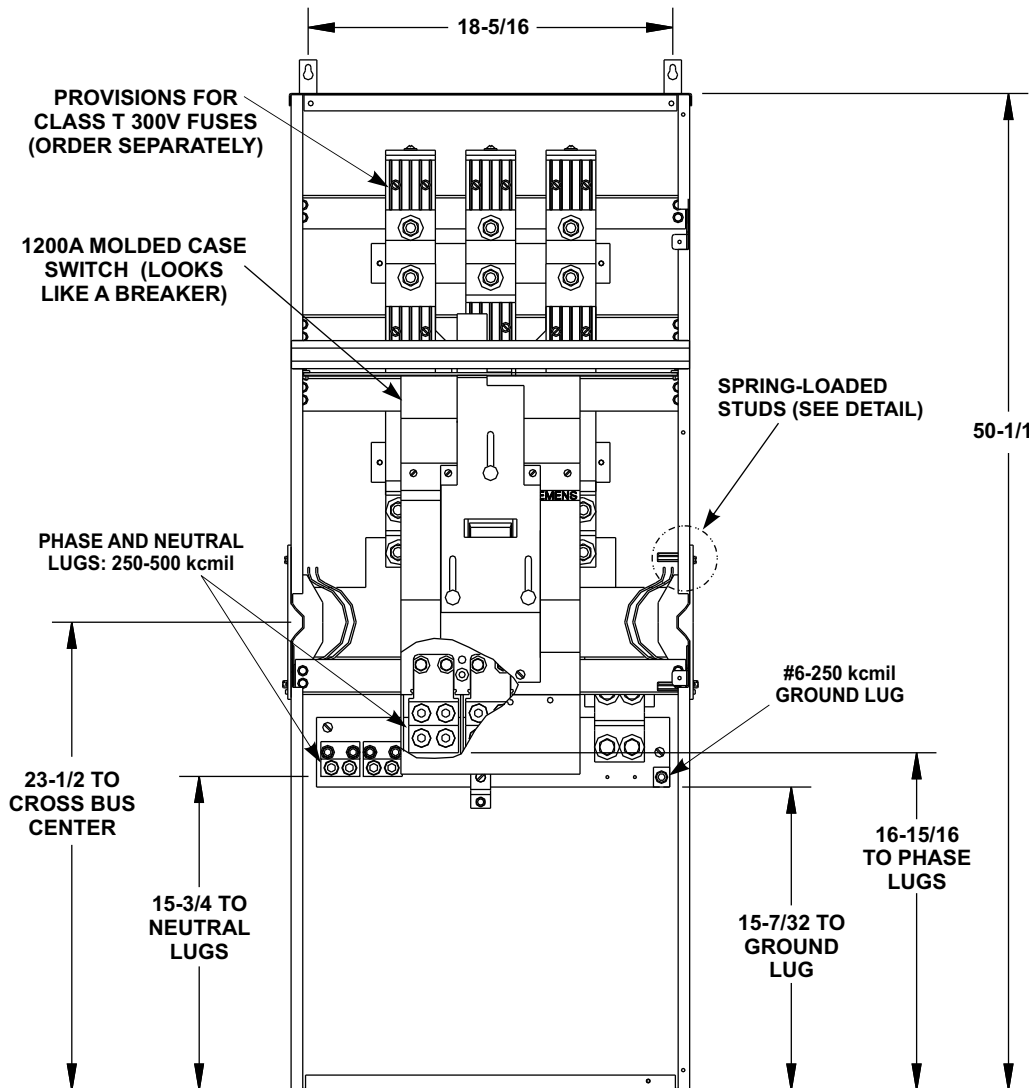
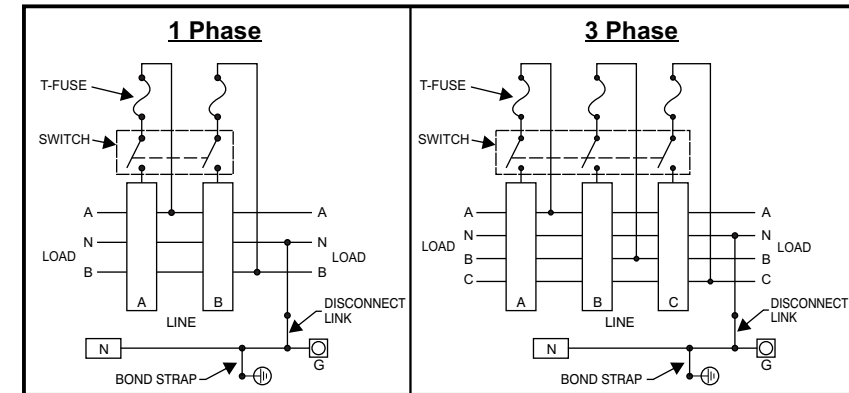
Replacement Parts, Accessories, And Additional Modules

FOR USE WITH: Module Description	Siemens Series#	Murray Series#
Main Breakers	(W)MC, WB, WEB	DB W
Switches	WMP, WMS, WS, WES	DPT W, DT W
Tap/Terminal Boxes	WMTB, WTB, WET	DTB W
Pull Boxes	WMMB, WPB, WAPB	DPB W
Meter Module	WMM, WxMM, WMT, WML, WMK	DG_W, DC_W, DL_W
Extension Box	WMEX, WSP	DS
Bussed Elbow	(W)BE	DL

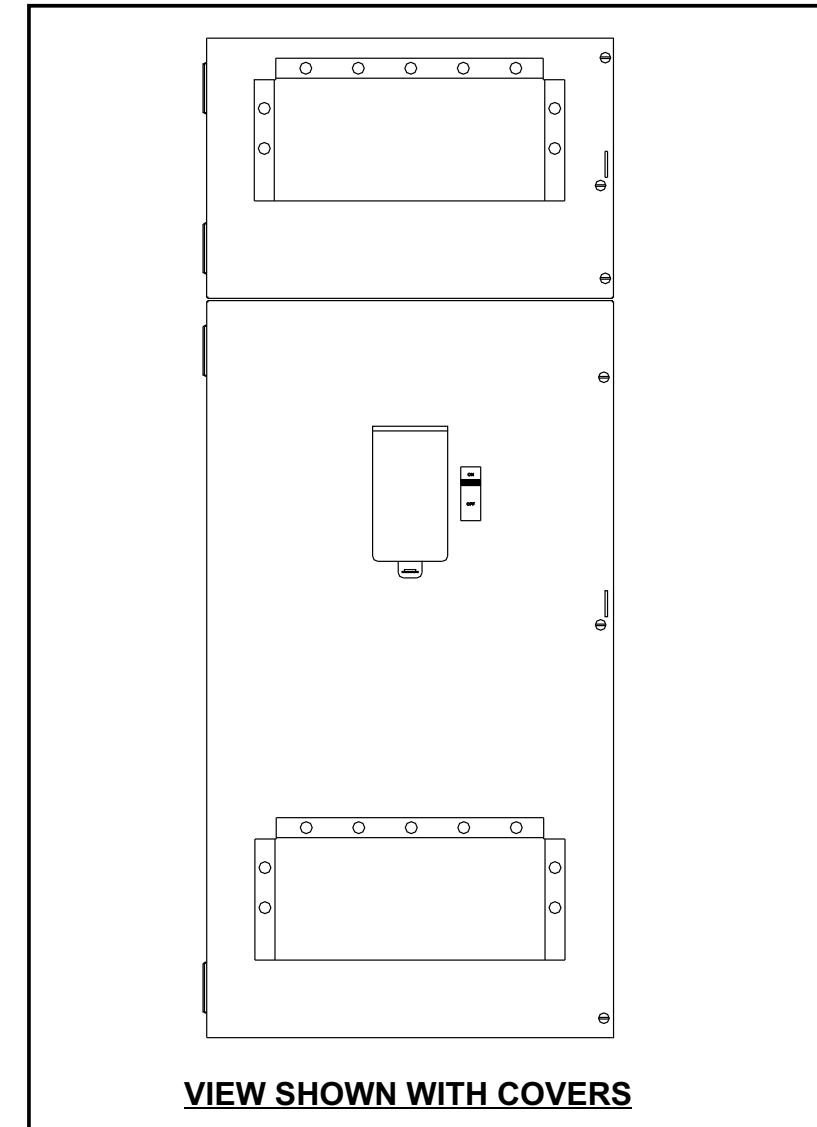
Connect Modules Using	Catalog Number / Torque
QuickConnect	QC1 (1ph) or QC4 (3ph) 400-440 lb-in (35-36 ft.-lb.) Torque
Single Bolt Joint	SBJ1 (1ph) or SBJ4 (3ph) 400-480 lb-in (35-40 ft.-lb.) Torque

Siemens Accessories	Catalog Number
Replacement Switch	NXD63S120A (for single phase devices use outside poles only)
Phase and Neutral Lug Kit (1 Phase)	Catalog Number LK14500 (kit contains 3 lugs)
Phase and Neutral Lug Kit (3 Phase)	Catalog Number LK34500 (kit contains 4 lugs)

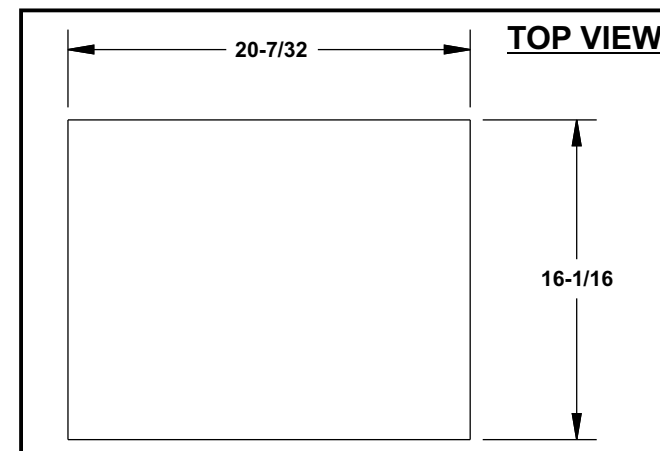
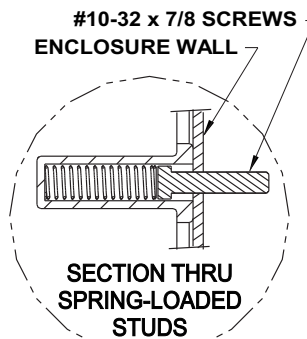
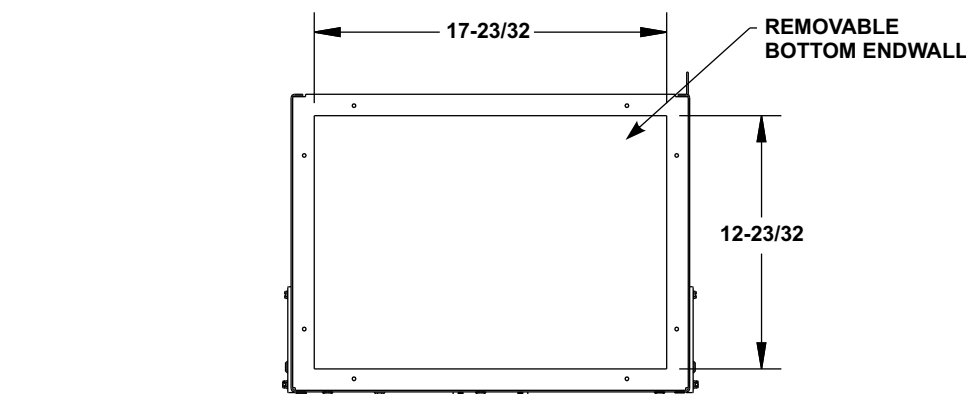
Schematics



WS31200BU (3 Phase) SHOWN
VIEWS SHOWN WITHOUT COVER



VIEW SHOWN WITH COVERS



TOP VIEW

© 2010 Copyright Siemens Industry, Inc.

Siemens Industry, Inc.
Building Technologies Division

PowerMod™ Switch Mains

Catalog Numbers: **WS11200BU and WS31200BU**
Service Entrance Switch Mains

Size B Dwg. No. **1200A_SE_Switch_Mains**

Dwn KAM Date 1/27/10 DO NOT SCALE DRAWING SHEET 1 OF 1