

SIEMENS

Indoor Load Center

Catalog Number **G1212L1125**
 Series -
 Enclosure **Type 1**
G1212L1125CU -
 Type 1

RATINGS: 125A MAXIMUM - SEE MAIN BREAKER RATING IF USED.
 BACK-FED BREAKER REQUIRES HOLD-DOWN KIT ECMBR2.
 120/240 V~, 60 HZ, 1Ø 3W
 208Y/120 V~, 60 HZ, 1Ø 3W

FOR INSTALLATION BY A QUALIFIED PERSON IN ACCORDANCE WITH ALL LOCAL ELECTRICAL CODES AND/OR THE NATIONAL ELECTRICAL CODE®.

SUITABLE FOR USE AS SERVICE EQUIPMENT WHEN MAIN BREAKER IS INSTALLED OR WHEN NOT MORE THAN SIX MAIN DISCONNECTING MEANS ARE PROVIDED AND WHEN NOT USED AS A LIGHTING AND APPLIANCE BRANCH CIRCUIT PANELBOARD (SEE ARTICLE 408.14 OF THE NATIONAL ELECTRICAL CODE®). WHEN USED AS SERVICE EQUIPMENT, APPLY "SERVICE DISCONNECT" LABEL(S) TO FRONT NEXT TO APPROPRIATE BREAKER HANDLE(S).

WHEN USED AS SERVICE EQUIPMENT, UNUSED NEUTRAL BAR TERMINALS MAY BE USED TO TERMINATE EQUIPMENT GROUNDING WIRES IN THE COMBINATIONS INDICATED FOR EQUIPMENT GROUND BAR TERMINALS.


IF THE NEUTRAL TIE STRAP IS REMOVED, LUG KIT ECLKB1 MUST BE INSTALLED AND BONDED. THE LEFT NEUTRAL BAR WILL BECOME THE EQUIPMENT GROUND.

TO RESET BREAKERS WITH TRIPPED HANDLE POSITION BETWEEN "ON" AND "OFF", MOVE HANDLE TO "OFF" THEN TO "ON".

REMOVE TWISTOUTS FROM TRIM ONLY WHERE BREAKERS WILL BE INSTALLED. ALL OPENINGS MUST BE FILLED WITH BREAKERS OR FILLER PLATES. USE ONE ECMBF125 FILLER PLATE TO FILL 100-125A MAIN BREAKER OPENING.

Siemens Energy & Automation, Inc. Alpharetta, Georgia U.S.A. **J2** 4099504 Rev.D

IMPORTANT: DO NOT ALLOW PETROLEUM BASED (HYDROCARBON) SPRAYS, CHEMICALS, SOLVENTS OR ANY PAINT TO CONTACT INTERIOR COMPONENTS. PETROLEUM BASED CHEMICALS CAN CAUSE DEGRADATION OF ELECTRICAL INSULATING MATERIALS.

⚠ DANGER		⚠ PELIGRO
<p>Hazardous Voltage. Will cause death, serious injury or substantial property damage.</p> <p>Turn off power supplying this equipment before working inside.</p>		<p>Voltaje peligroso. Causará la muerte, lesiones graves o daño substancial a la propiedad.</p> <p>Desconecte el suministro de energía a este equipo antes de trabajar en su interior.</p>

SHORT CIRCUIT CURRENT RATING

THIS PANELBOARD HAS A MAXIMUM SHORT CIRCUIT CURRENT RATING OF 100,000 AMPS RMS SYMMETRICAL, 120/240V~. THE ACTUAL RATING IS DEPENDENT ON THE BRANCH BREAKERS INSTALLED IN THIS PANELBOARD AND THE MAIN FEEDER BREAKER, IF ANY, INSTALLED AHEAD OF THIS PANELBOARD. THE CORRECT MAIN BREAKER FEEDER MAIN BREAKER/PANELBOARD MAIN BREAKER BRANCH BREAKER SERIES COMBINATIONS TO BE USED ARE LISTED IN THE TABULATION BELOW. ANY CIRCUIT BREAKER INSTALLED, REPLACED, OR ADDED IN THIS PANELBOARD MUST BE MANUFACTURED BY SIEMENS AND MUST BE OF THE CORRECT TYPE AS INDICATED IN THE TABULATION BELOW. USE OF OTHER CIRCUIT BREAKERS IN THIS EQUIPMENT WILL VOID THE WARRANTY.

MAIN BREAKER WHEN THE MAIN PROTECTING THE SYSTEM IS A	FEEDER/MAIN BREAKER AND THE BREAKER PROTECTING THIS PANELBOARD IS A SIEMENS TYPE	PANELBOARD MAIN AND THE INSTALLED MAIN BREAKER IN THIS PANELBOARD IS A SIEMENS TYPE	BRANCH BREAKER AND THE BRANCH BREAKERS INSTALLED ARE SIEMENS TYPE	THEN THE MAX. SHORT CIRCUIT RATING IN RMS SYMMETRICAL AMPS, 120/240 V~ IS
NONE USED OR SIEMENS BREAKER TYPES JXD2(-A), JD6(-A), JXD6(-A), HJD6(-A), HJXD6(-A), LD6(-A), LXD6(-A), HLD6(-A), HLXD6(-A), MD6, MXD6, HMD6, HMXD6, ND6, NXD6, HND6, HNXD6, PD6, PXD6, HPD6, HFXD6, RD6, RXD6, HRD6, HFXD6, OR CLASS J, T, R OR L FUSES	QP, BQ, BL	NONE USED, EQ8681, EQ8682 OR QP	QP, QG, QPH, HQP, QPF, QPHF, QFF, QE, QEH, QAF, QAFH	10,000
NONE USED	QPH, BQH, BLH	NONE USED OR EQ8681 OR EQ8682	QP, QPH, HQP, QPF, QPHF, QE, QEH, QAF, QAFH	22,000
NONE USED	NONE USED	NONE USED	QPH, QEH, QPHF, QAFH	65,000
SIEMENS BREAKER TYPES JXD2(-A), JD6(-A), JXD6(-A), HJD6(-A), HJXD6(-A), LD6(-A), LXD6(-A), HLD6(-A), HLXD6(-A), MD6, MXD6, HMD6, HMXD6, ND6, NXD6, HND6, HNXD6, PD6, PXD6, HPD6, HFXD6, RD6, RXD6, HRD6, HFXD6, OR CLASS J, T, R OR L FUSES	QPH, BQH, BLH, HQP, HBQ, HBL	NONE USED, EQ8681, EQ8682 OR HQP	QP, QPH, HQP, QPF, QPHF, QE, QEH, QAF, QAFH	
SIEMENS BREAKER TYPE ED4, ED6	NONE USED OR QP, BQ, BL, QPH, BQH, BLH, HQP, HBQ, HBL, HQF, HBC, HBL	NONE USED	HQP	100,000
NONE USED	NONE USED	NONE USED	HQP	
SIEMENS BREAKER TYPES HED4, HED6, HFD6, HFXD6	NONE USED OR QP, BQ, BL, QPH, BQH, BLH, HQP, HBQ, HBL, QPH, BQH, BLH, HQP, HBQ, HBL	NONE USED OR EQ8681 OR EQ8682	QP, QPH, HQP, QPF, QPHF, QE, QEH, QAF, QAFH	

† THIS PANELBOARD IS A MAIN LUG DEVICE THAT MAY BE CONVERTED TO MAIN BREAKER WITH THE ADDITION OF FIELD INSTALLED MAIN BREAKER KIT OR A MAIN BREAKER DEVICE THAT MAY BE CONVERTED TO MAIN LUG WITH THE ADDITION OF MAIN LUGS. SEE ACCESSORY TABLE FOR CATALOG NUMBERS OF APPROPRIATE KITS.

THIS LOAD CENTER IS INVERTIBLE FOR BOTTOM FEED APPLICATIONS.

MAIN LUG / MAIN BREAKER KITS	
USE APPROPRIATE KIT FROM CHART BELOW TO CONVERT PANEL	
DESCRIPTION	CAT. NO.
100 AMP MAIN BREAKER	MBK100A
125 AMP MAIN BREAKER	MBK125A
100-125 AMP MAIN LUG	ECMLK125

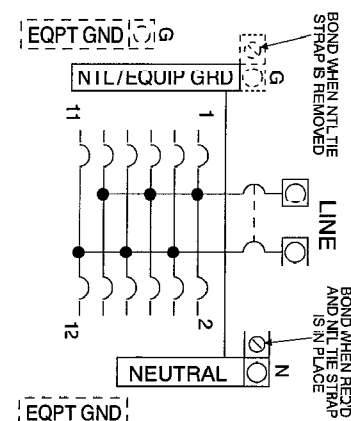
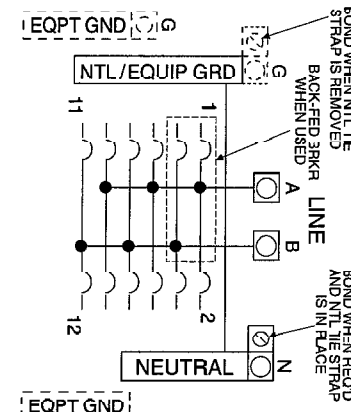
ACCESSORIES	
DESCRIPTION	CAT. NO.
DOOR LOCK	EQQFL2
FILLER PLATE, 1"	QF3
BREAKER HOLD-DOWN	ECMBR2
MAIN BREAKER FILLER PLATE	ECMBF125
BONDABLE GROUND LUG	ECLKB1
SUBFEED LUG KIT	ECLK2125
STANDBY PWR INTERLOCK KITS:	
ECSBP01, ECSBP02, ECSBP04	

Assembled in Mexico
 © 2005 Copyright Siemens Energy & Automation, Inc.
 © The National Electrical Code is a registered trademark of the National Fire Protection Association.

USE COPPER OR ALUMINUM 60/75°C WIRE

SEE BREAKER MARKINGS FOR WIRE SIZE AND TORQUE REQUIREMENTS.

TERMINALS	WIRE	TORQUE
A, B, N, G	20-4 AWG	110 LB-INS
NEUTRAL/GROUND BARS (USE TYPE GB GROUND BAR KIT ACCESSORY)	10-14 CU/10-12 AL 8 AWG 6-4 AWG	20 LB-INS 25 LB-INS 35 LB-INS
GROUND CONDUCTORS ONLY	(2)or(3) 14 AWG (2) 12-10 AWG	20 LB-INS 20 LB-INS
ECLK1-2 NEUTRAL LUG KIT	2/0-2 AWG	45 LB-INS
ECLK2 NEUTRAL LUG KIT	2/0-4 AWG	135 LB-INS
MAIN LUG/MAIN BRKR TO BUS CONNECTION (1/4-20 NUT)		45 LB-INS
BONDING SCREW		45 LB-INS



COLOR: PMS485 (RED)

PRINT COLOR: BLACK EXCEPT AS SHOWN

MATERIAL: FASSON UL LITHO 40FS-730SG (SPEC# 10254)

ALTERNATE MATL: 60# FASSON CRACK'N'PEEL PLUS, UNCOATED OFFSET, SUPER PERMANENT ADHESIVE WITH 83# LINER

DESIGN RESPONSIBILITY LOCATION:
SEA-NORCROSS
 PRINT DISTRIBUTION
 ECN COPIES MUST BE ISSUED TO ALL CHECKED LOCATIONS FOR APPROVAL PRIOR TO CHANGE

<input type="checkbox"/> SEA-TUC	<input type="checkbox"/> SEA-DRM	<input type="checkbox"/> McPHER
<input type="checkbox"/> SEA-NOR	<input type="checkbox"/> DUR-LEB	<input type="checkbox"/> CHOICE
<input type="checkbox"/> SEA-EL	<input type="checkbox"/> DUR-HOU	<input type="checkbox"/> IC-ASY
<input checked="" type="checkbox"/> SEA-IT2	<input type="checkbox"/> SEA-BEL	<input type="checkbox"/> *

					UNLESS OTHERWISE SPECIFIED DIMENSIONS ARE IN INCHES		-CONFIDENTIAL- PROPERTY OF Siemens Energy & Automation, Inc. Residential Products Division						
					TOLERANCES: .XX ±.12 .XXX		WIRING DIAGRAM						
					HOLE DIAMETER ±.005 ANGULAR UNDIMENSIONED 90° ANGLES ±0°30'								
	05-042-04	D	10/19/05	REVISE FOR TRANSFER TO ITESA2. TRANSFER DESIGN CTRL TO NORCROSS	KAM	DWN	KAM	DATE	1/8/02	SIZE B	ISSUE RELEASE NO. 01-080-06	DWG. NO. 4099504	REV D
	01-080-10	C	6/20/02	ADD LKB1 ACCESSORY AND RELATED INFO	KAM	CHK	CDH	DATE	1/8/02				
	01-080-08	B	3/22/02	ADD BACKFED BRKR INFO, 125A BREAKER INFO & OTHER MISC. CHANGES	KAM	APVD	CDH	DATE	1/8/02	SCALE 1:1	DO NOT SCALE DRAWING	SHEET 1 OF 1	
1st ARTICLE	EDR NO.	REV	DATE	DESCRIPTION	BY								