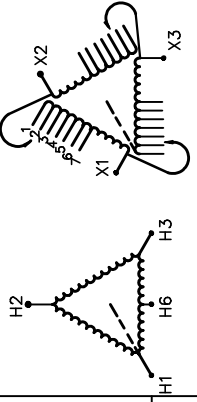




REVISION	DATE	BY	DATE	BY
		DRAWN	18/11/14	PP
		CHEK'D		
		VERIF'D		

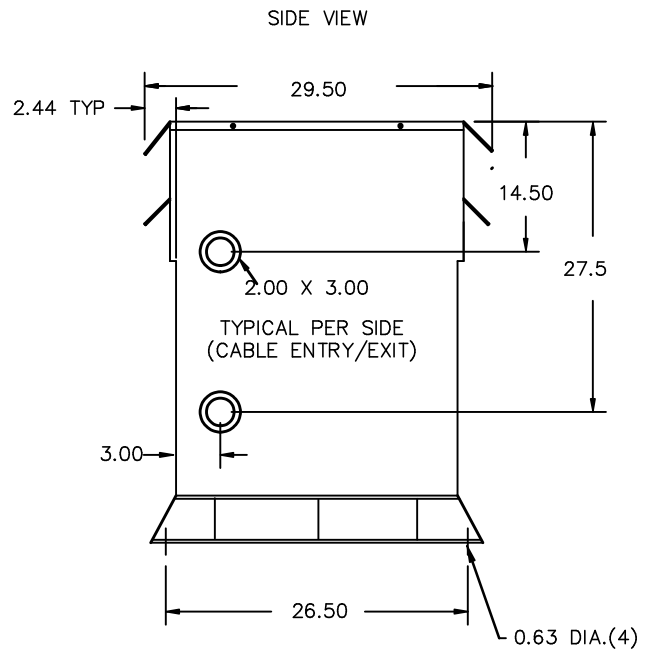
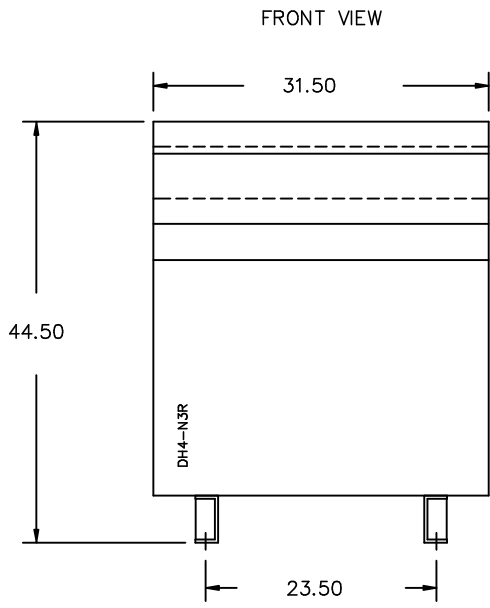
Siemens Industry, Inc.

CUSTOMER	
ORDER NO.	DWG. NO.
	3B1Y150D16
	SH 1 OF 3

SIEMENS

<p>CATALOG NO. 3B1Y150D16</p> <p>SERIAL NO. SERIES H</p> <p>150 kVA 60 Hz 3 PHASE</p> <p>5.2 % IMP AT 170 °C</p>	<p>150 °C RISE 30 °C AVG. AMBIENT</p> <p>220 °C TEMP CLASS 40 °C MAX. AMBIENT</p> <p>PRIMARY (X1 X2 X3) 208V V 10kV BIL</p> <p>SECONDARY(H1 H2 H3) 240V V 10kV BIL</p> <p>WINDING MATERIAL AL</p> <p>ENCLOSURE TYPE 3R WEIGHT 960 LBS</p> <p>ENERGY EFFICIENCY EXCEEDS CSA DOE 10 CFR PART 431:2016 C802.2-2012</p>	 <p>VOLTS</p> <p>218</p> <p>213</p> <p>208</p> <p>203</p> <p>198</p> <p>192</p> <p>187</p> <p>CONNECT</p> <p>1</p> <p>2</p> <p>3</p> <p>4</p> <p>5</p> <p>6</p> <p>7</p>
<p>SPACINGS BETWEEN ANY VENTILATED ENCLOSURE PANEL AND ANY ADJACENT WALL SHALL BE A MINIMUM OF 5 INCHES EXCEPT WHEN WALL MOUNTED USING APPROVED WALL MOUNTING KIT TRANSFORMER SUITABLE FOR STEP UP OPERATION ONLY</p>		
<p>SUITABLE FOR INDOOR OR OUTDOOR LOCATIONS BEFORE HANDLING, INSTALLING AND OPERATING, SEE INSTRUCTION MANUAL</p> <p>NEMA Class ANN Dry Type Transformer Siemens Industry, Inc. Norcross, GA dsu0086e1</p>		
<p style="text-align: center;">   </p> <p style="text-align: center;"> LISTED TYPE K DRY TYPE TRANSFORMER 7715 E112313 LR 3902 </p> <p style="font-size: small; text-align: center;">SEISMIC QUALIFICATIONS, FLOOR MOUNT ONLY OSP=0136-10 IBC 2012/ASCE 7-10 SDS<=2.0g Z/h=1 Ip=1.5</p>		

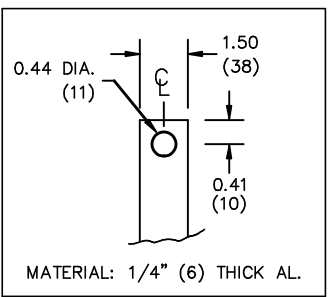




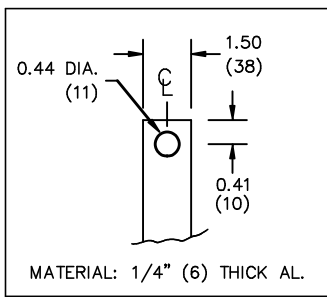
All Dimensions in inches

ENCLOSURE COLOR :ANSI 61 GREY - OUTDOOR

HV TERMINAL DETAIL



LV TERMINAL DETAIL



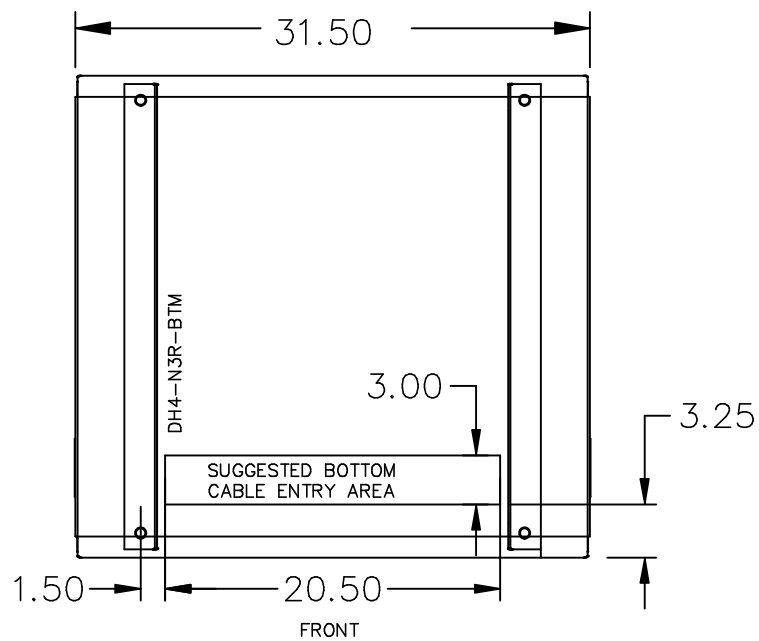
CUSTOMER NOTES:

- HV TERMINATED AT BOTTOM FRONT
- LV TERMINATED AT TOP FRONT

Siemens Industry, Inc.

REVISION	DATE	BY	DATE	BY	CUSTOMER		
			18/11/14	PP			
					ORDER NO.	DWG. NO.	
						3B1Y150D16	SH 2 OF 3

ENCLOSURE BOTTOM VIEW



NOTE:
 WHEN BOTTOM CABLE ENTRY IS OPTED, THE SPACE USED FOR CONDUITS IN THE FRONT OF THE TRANSFORMER SHOULD NOT OBSTRUCT MORE THAN 50% OF THE FRONT AIR INTAKE AREA DEFINED BETWEEN THE BOTTOM PLATE AND THE SUPPORTING LEGS.
 SEE MANUAL FOR ADDITIONAL INFORMATION

Siemens Industry, Inc.

REVISION	DATE	BY	DATE	BY	CUSTOMER
			18/11/14	PP	
			CHEK'D		ORDER NO.
			VERIF'D		DWG. NO. 3B1Y150D16
					SH 3 OF 3