

General Duty Safety Switch

Type VBII, 60 Amp, 240 Volts, Type 3R (Outdoor)

Standards and Ratings

- UL Listed under file #E4776
- Meets UL98 for switches and UL 50 for enclosures
- Meets NEMA Standard KS-1 for enclosed switches
- Meets NEC wire bending space requirements
- Rated 10,000 AIC as standard or 100,000 AIC when protected by Class R fuses rated 60 amp max
- Suitable for use as service entrance equipment

Features

- Quick-make and break switching action
- Double break visible blade design
- Highly visible ON/OFF indication
- Rugged installer friendly enclosure design
- Modular design allows quick and easy replacement of parts
- Single cover interlock

General Information

Catalog Number	Description	Shipping Weight (lbs.)
GNF322R	3 Pole, 3 Wire, Non-Fusible	13

Horsepower Ratings ¹

Catalog Number	1 Phase, 3 Wire, 240V AC		3 Phase, 3 Wire, 240V AC		250V DC
	Std	Max	Std	Max	
GNF322R	—	10	—	15	10

Accessories

Catalog Number	Description
HG61234	Equipment Ground Lug Kit
HN612	Neutral Kit
HS075	0.75" Type "HS" Outdoor Hub
HS100	1.00" Type "HS" Outdoor Hub
HS125	1.25" Type "HS" Outdoor Hub

Replacement Parts

Catalog Number	Description
HNB612	Non-Fusible Replacement Base
GH223	Replacement Handle/Handle Guard
HM6123	Replacement Mechanism
HL612	Replacement Lugs (3 lugs per kit)

Mechanical Lug Wire Ranges (60/75°C, Cu/Al)

Description	Wire Range
Line, Load	#12-3 AWG (Al)
Neutral	or
	#14-3 AWG (Cu)
Ground	#14-4 AWG

¹ Dual horsepower ratings: Std - applies when non-time delay fuses are installed.
Max - applies when time-delay fuses are installed.

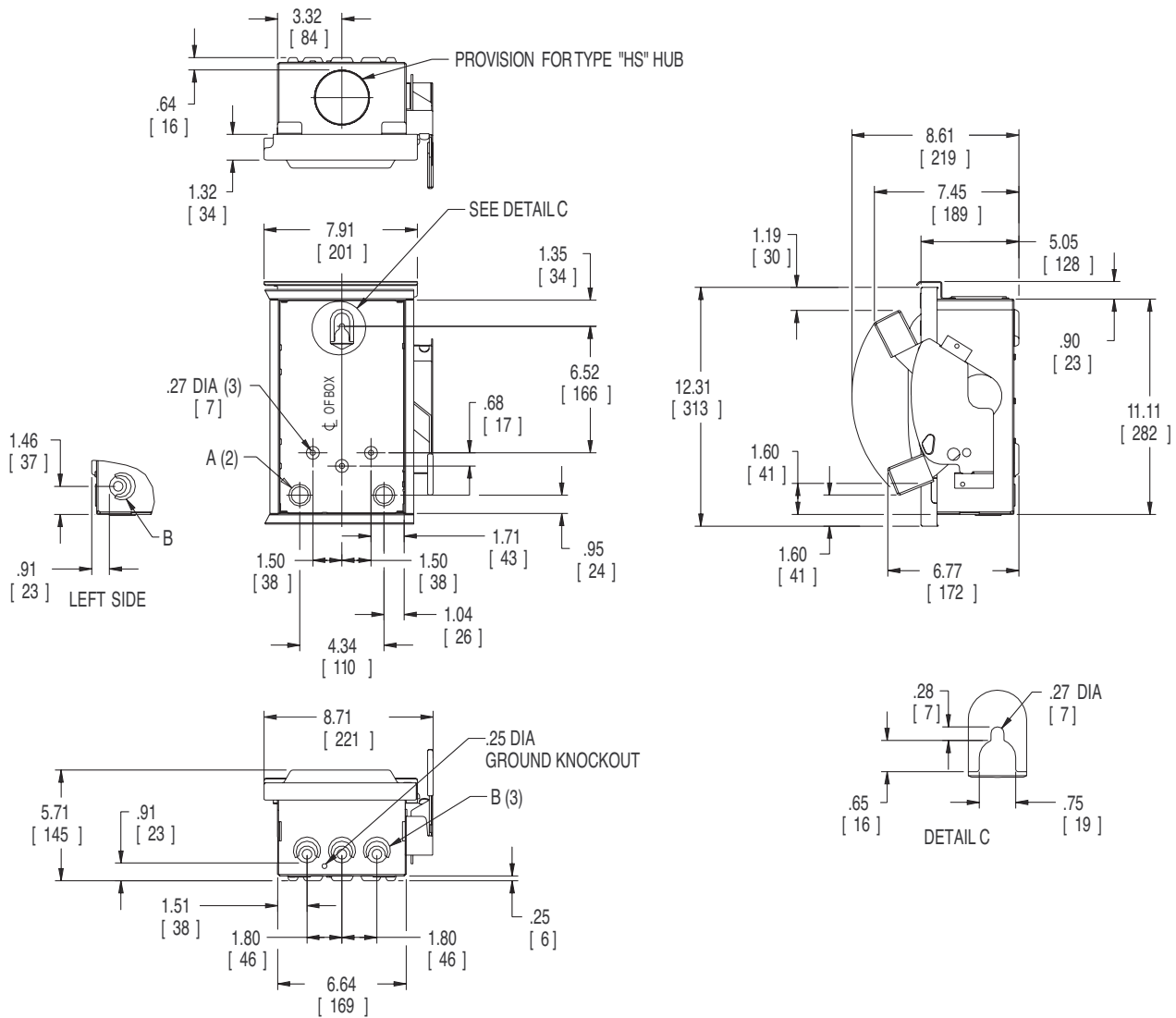
Product Specification Sheet GD60.3

Answers for industry.

SIEMENS

Product Specification Sheet #GD60.3 (page 2 of 2)

Dimension Drawing



Dimensions shown in inches and millimeters ().
Dimension shown accurate to $\pm \frac{1}{8}$ inch.

KNOCKOUT CODE	CONDUIT SIZE	
	A (Concentric)	B (Tangential)
A (Concentric)	.75	1.00
B (Tangential)	.50	.75
		1.00

	LINE SIDE WIRE BEND	LOAD SIDE WIRE BEND
Non-Fused	3.02 (77)	4.11 (104)

Enclosure: Galvanized Steel
.054 Thick (17 Gauge)
Finish: ANSI Grey #61 Paint