

FOR APPROVAL ONLY

REVISION	DATE	BY	DATE	BY
			19/06/06	DC

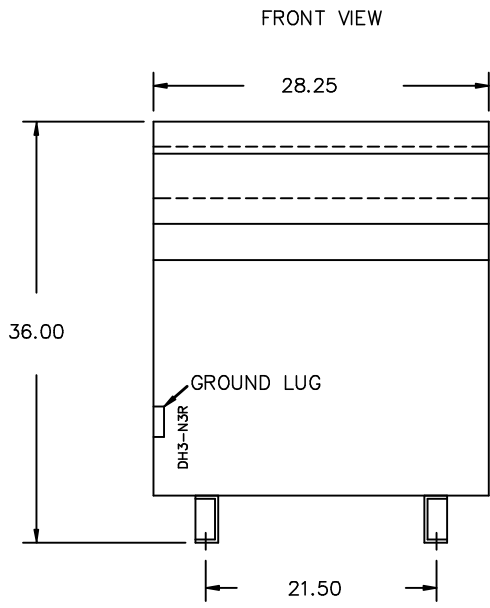
Siemens Industry, Inc.	
CUSTOMER	
ORDER NO.	DWG. NO.
	3B5Y112FCD16
	SH 1 OF 3

SIEMENS

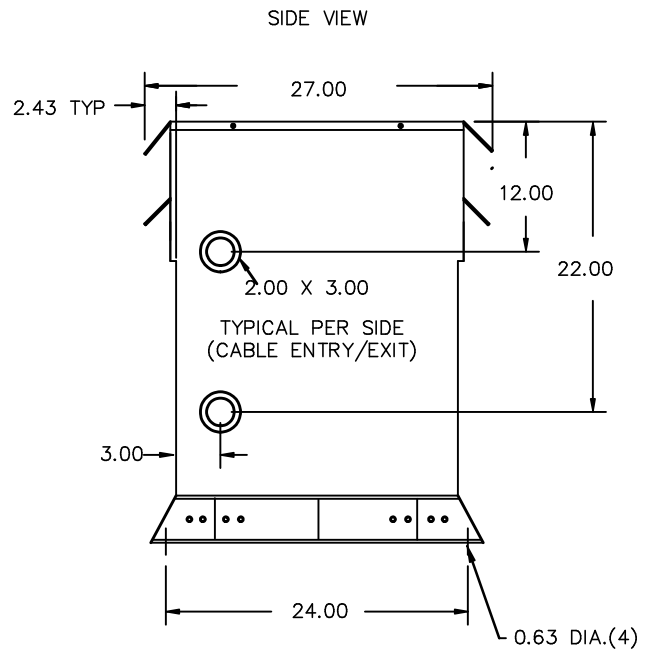
CATALOG NO. 3B5Y112FCD16 SERIAL NO. 112.5 kVA 60 Hz 3.8 % IMP AT 135 °C	SERIES H 3 PHASE 115 °C RISE 30 °C AVG. AMBIENT 220 °C TEMP CLASS 40 °C MAX. AMBIENT PRIMARY (X1 X2 X3) 208 V 10 kV BIL SECONDARY(H0 H1 H2 H3) 480Y/277 V 10 kV BIL	
WINDING MATERIAL CU ENCLOSURE TYPE 3R WEIGHT 830 LBS ENERGY EFFICIENCY EXCEEDS CSA DOE 10 CFR PART 431:2016 C802.2-2012		TYPE K DRY TYPE TRANSFORMER 7715 E112313 LR 3902 LISTED SEISMIC QUALIFICATIONS, FLOOR MOUNT ONLY OSP-0136-10 IBC 2012/ASCE 7-10 SDS<=2.0g Z/h=1 Ip=1.5
SPACINGS BETWEEN ANY VENTILATED ENCLOSURE PANEL AND ANY ADJACENT WALL SHALL BE A MINIMUM OF 5 INCHES TRANSFORMER SUITABLE FOR STEP UP OPERATION ONLY		NEMA Class ANN Dry Type Transformer Siemens Industry, Inc. Norcross, GA dsu0086e1



FOR APPROVAL ONLY



All Dimensions in inches

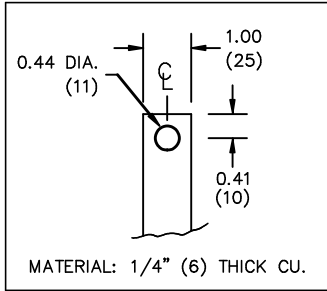


ENCLOSURE COLOR :ANSI 61 GREY - OUTDOOR

HV TERMINAL DETAIL

LV TERMINAL DETAIL

MECHANICAL TYPE LUGS INCLUDED
SUITABLE FOR 250MCM-6 CU/AL
CONDUCTORS
1 CONDUCTOR PER PHASE



- CUSTOMER NOTES:
- HV TERMINATED AT BOTTOM FRONT
 - LV TERMINATED AT TOP FRONT

Siemens Industry, Inc.

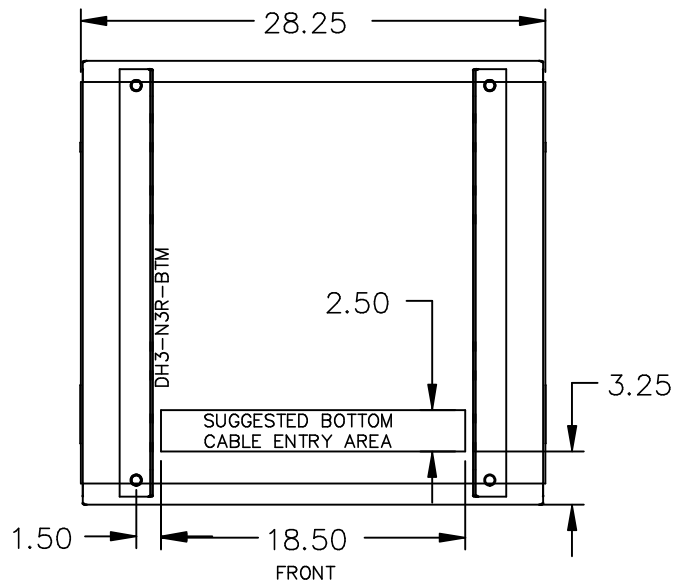
REVISION	DATE	BY	DATE	BY
		DRAWN	19/06/06	DC
		CHEK'D		
		VERIF'D		

CUSTOMER	
ORDER NO.	DWG. NO. 3B5Y112FCD16
SH 2 OF 3	

0.2 dcortez 2019/06/06 09:42

FOR APPROVAL ONLY

ENCLOSURE BOTTOM VIEW



NOTE:
 WHEN BOTTOM CABLE ENTRY IS OPTED, THE SPACE USED FOR CONDUITS IN THE FRONT OF THE TRANSFORMER SHOULD NOT OBSTRUCT MORE THAN 50% OF THE FRONT AIR INTAKE AREA DEFINED BETWEEN THE BOTTOM PLATE AND THE SUPPORTING LEGS.
 SEE MANUAL FOR ADDITIONAL INFORMATION

Siemens Industry, Inc.

REVISION	DATE	BY	DATE	BY
		DRAWN	19/06/06	DC
		CHEK'D		
		VERIF'D		

CUSTOMER		
ORDER NO.	DWG. NO.	
	3B5Y112FCD16	SH 3 OF 3

0.2 dcortez 2019/06/06 09:42