

# Catalog Numbers, Ratings and Features

| Catalog No. | Max. Branch Rating | Main Bus, 1200A Max. | Breaker Type  | Meter Socket Cover | Meter Socket Type/ Continuous Rating | No. of Jaws | Bypass Type | Neutral Lug Wire Range                               | Equip Ground Lug (Qty) and Wire Range |
|-------------|--------------------|----------------------|---------------|--------------------|--------------------------------------|-------------|-------------|--|---------------------------------------|
| WMK11400R   | 400A               | 1 Phase              | 2 Pole JXD2-A | Ringless           | K4 / 400A                            | 4           | Manual*     | (1)or(2)Wires 3/0-500 CU<br>(1)or(2)Wires 4/0-500 AL | (2) #4-300 kcmil                      |

\*Use Rake Type Bypass Catalog No. H56495

- TYPE 3R OUTDOOR ENCLOSURE
- 120/240 VOLTS AC, 1 PHASE, 3 WIRE.
- 1 PHASE INPUT, 1 PHASE OUTPUT
- MOUNTING RAILS AND ADJUSTABLE BRACKETS FOR SECURE MOUNTING

| CATALOG NUMBER                                  | FACTORY INSTALLED BREAKER |
|---|---------------------------|
| WMK11400R                                       | 400A                      |
| ALTERNATE BREAKER AMPERAGES (FACTORY INSTALLED) |                           |
| WMK11400RT1                                     | 200A                      |
| WMK11400RT2                                     | 250A                      |
| WMK11400RT3                                     | 300A                      |
| WMK11400RT4                                     | 350A                      |

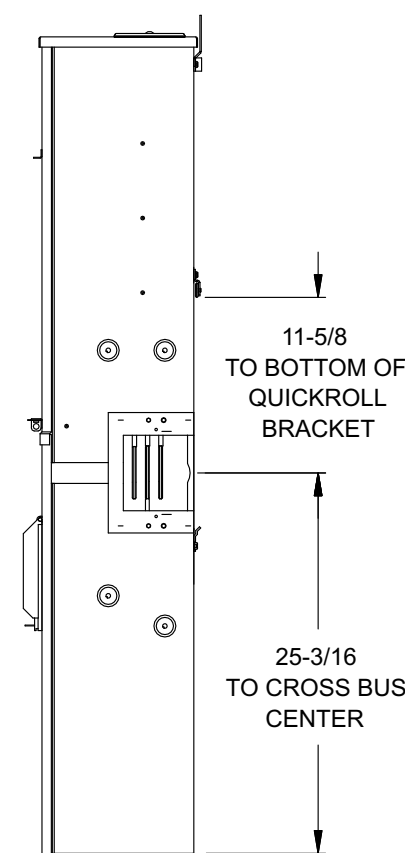
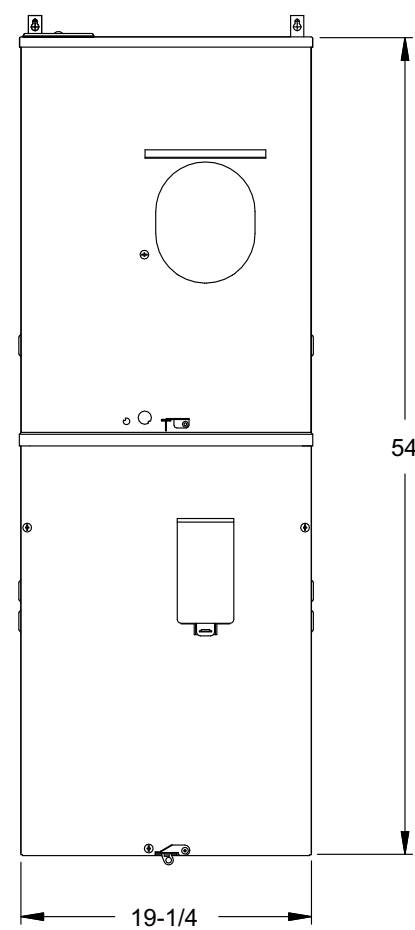
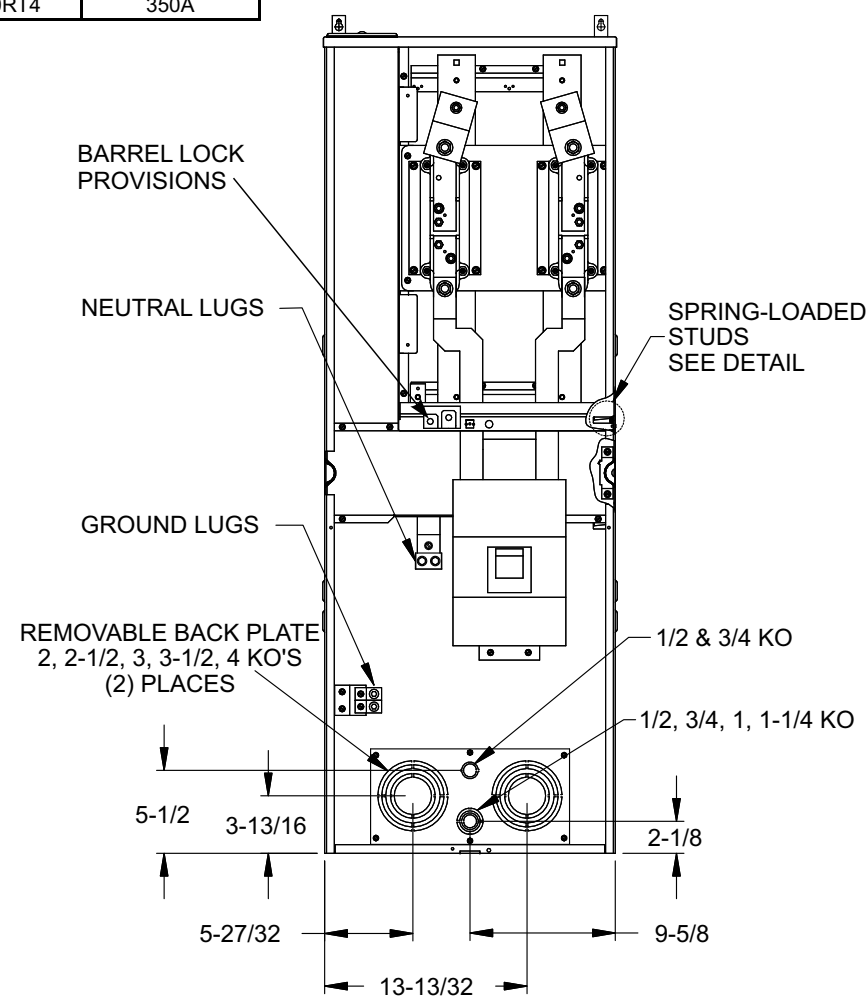
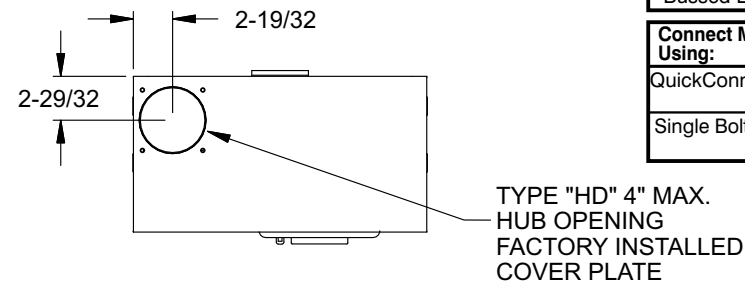
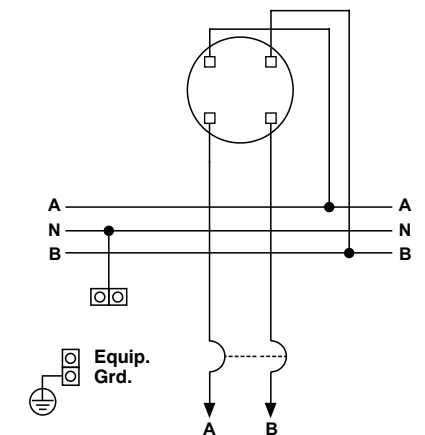
# Additional Modules and Accessories

| FOR USE WITH:      | Siemens Series#          | Murray Series#   |
|--------------------|--------------------------|------------------|
| Main Breakers      | (W)MC, WB, WEB           | DB W             |
| Switches           | WMP, WMS, WS, WES        | DPT_W, DT_W      |
| Tap/Terminal Boxes | WMTB, WTB, WET           | DTB_W            |
| Meter Module       | WMM, WxMM, WMT, WML, WMK | DG_W, DC_W, DL_W |
| Extension Box      | WMEX, WSP                | DS               |
| Bussed Elbow       | (W)BE                    | DL               |

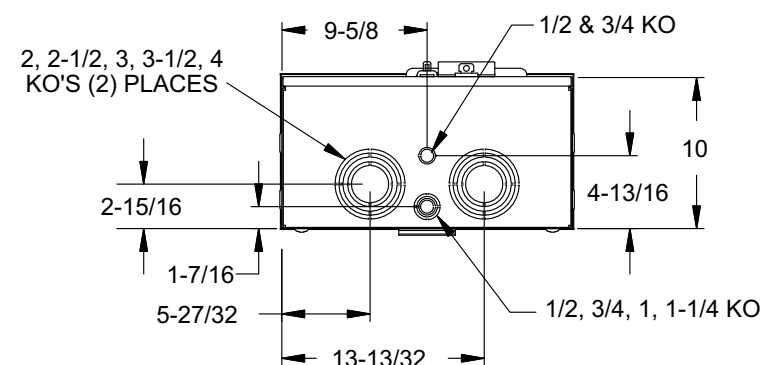
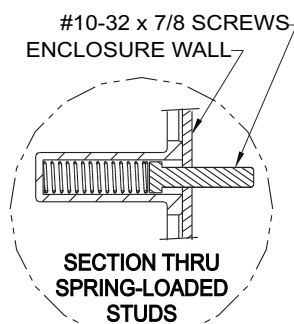
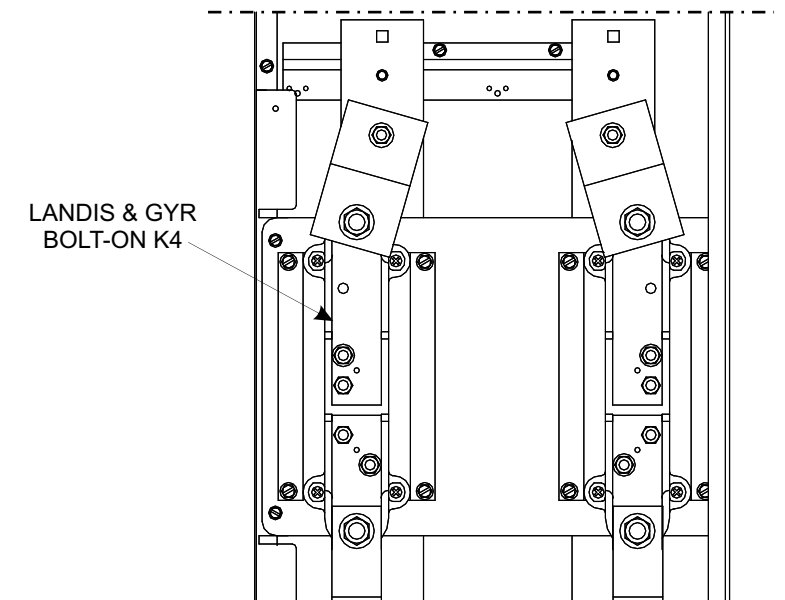
| Siemens Accessory  | Catalog No. |
|--------------------|-------------|
| Hub Cover Plate    | EC56933S    |
| Type HD Hub 2"     | EC56854     |
| Type HD Hub 2-1/2" | EC56855     |
| Type HD Hub 3"     | EC56856     |
| Type HD Hub 3-1/2" | EC56857     |
| Type HD Hub 4"     | EC56858     |

| Connect Modules Using: | Catalog Number / Torque  |
|------------------------|--|
| QuickConnect           | QC1 (1ph) or QC4 (3ph)<br>400-440 lb-in (35-36 ft.-lb.) Torque   |
| Single Bolt Joint      | SBJ1 (1ph) or SBJ4 (3ph)<br>400-480 lb-in (35-40 ft.-lb.) Torque |

# Schematic



# Enlarged Socket Detail



© 2010 Copyright Siemens Industry, Inc.

Siemens Industry, Inc.  
Building Technologies Division

## PowerMod™ Modular Metering

Description: **K-Base 1 Position 400A Tenant 1in-1out Commercial Metering Module**

Size B 10 Dwg. No. **WMK11400R**

Dwn KAM Date 3/31/10 DO NOT SCALE DRAWING SHEET 1 OF 1