

SIEMENS

Rainproof Combination Metering

Catalog Number

MC0816B1400SCS

Class CTL Panelboard

Device Rating: 400 Amp, Max; 120/240 Volts ~, 1 phase, 3 wire

Meter Socket Rating: 400 Amp Max. 320 Amp Continuous

For installation by Qualified Person in accordance with all local electrical codes and/or the National Electrical Code.®

Suitable Only For Use As Service Equipment

For Overhead/Underground Service

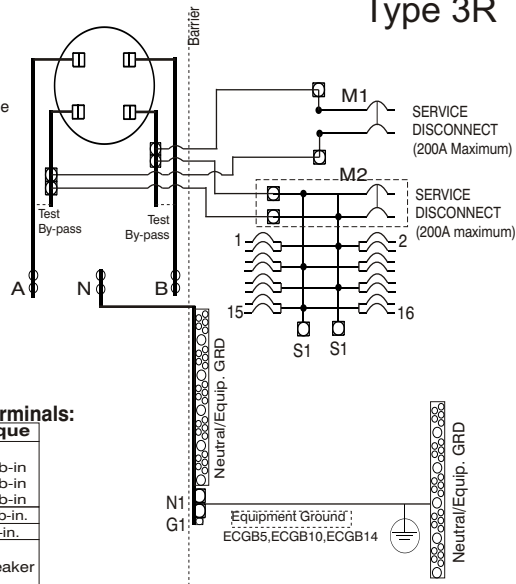
Terminals Suitable for 60°/75° C Copper or Aluminum Conductor

Unused neutral branch terminals may be used to terminate equipment grounding wires in the combinations indicated for equipment ground bar terminals.

General Information:

Circuit breaker trip position is indicated by handle position midway between ON and OFF. To reset, move handle to OFF position then turn ON.

Enclosure
Type 3R



Load, Neutral and Ground* Terminals:

Line Terminals:

Provisions for UL listed one or two hole NEMA mounting terminals.
Compression terminals to #750 kcmil, single conductor, ILSCO type ACL or 2ACL.
Installation Tool : THOMAS & BETTS # TBM8 for #10-350kcmil(AL), #8-500kcmil(CU) TBM8-750M-1 for #8-750kcmil(CU/AL)

Tightening Torques:

5/16" Nuts(1/2" Drive).....130-140 in-lbs
3/8" Nuts(9/16" Drive).....240-260 in-lbs
1/2" Nuts(3/4" Drive)490-540 in-lbs

Test By-Pass Nut

Torque 35-40 in-lbs

Accessories:

Filler Plate QF3 or ECQF3
200 Amp Main Breaker QN2200RH
150 Amp Main Breaker QN2150RH
Flush Rail Kit ECFRK2
Mechanical Interlock ECQML12
Standby Interlock Kit ECSBPK05
Standby Interlock Kit ECSBPK07
LUG #6-350 kcmil SUK350TA
LUG #2-600 kcmil SUK600TA
LUG 500-1000 kcmil SUK1000TA

Terminal	Wire Size	Torque
A, B, N SUK350TA SUK600TA SUK1000TA	(2)#6-350kcmil #2-600kcmil 500-1000kcmil	275 lb-in 375 lb-in 500 lb-in
N1, S1 G1	300 Kcmil - #4 2/0 - #14	250 lb-in. 50 lb-in.
Branch Breaker Terminals	See Markings on Breaker	
Neutral Bar Ground Bar (1/0-14)	#10 - #14 CU #10 - #12 AL #8 1/0 - #6	35 lb-in 35 lb-in 40 lb-in 45 lb-in
Neutral Bar Ground Bar (6-14)	#10 - #14 CU #10 - #12 AL #8 #6	20 lb-in 20 lb-in 25 lb-in 35 lb-in

* Only Equipment Ground Terminals may use more than one wire per terminal.

Ground Terminal Size	Wire Range	Torque
1/0-#14	(2 or 3) #12-14 CU,	35 lb-in
	(2 or 3) #10-12 AL,	35 lb-in
	(2) #10 CU (3) #10 CU	35 lb-in 50 lb-in
#6-#14	(2) #12-14 CU,	20 lb-in
	(2) #12AL	20 lb-in
#4-#14 (ECGB)	(1, 2 or 3)#14,	20 lb-in
	(1 or 2) #12-#10	20 lb-in
	#8	25 lb-in
	#6-#4	35 lb-in

If hub is required, use the catalog numbers listed below:
Trade size (in) Catalog number
HD Type Hub (Top and Bottom Endwall) (Top Hub Opening Available Only On Surface Mounted Devices)

2"	EC56854
2 1/2"	EC56855
3"	EC56856
3 1/2"	EC56857
4"	EC56858
Closure Plate	EC56933S

WARNING:

Removal of meter does not de-energize circuit when By-Pass provided.

Short Circuit Current Rating (Wattour Meter not included in short circuit rating)

This panelboard has a short circuit current rating of 22,000 Amps RMS symmetrical, 120/240 V~. The actual rating is dependent on the service disconnects and branch breakers installed in this panelboard. The correct Service disconnects, branch circuit breakers and main/branch breaker series combinations to be used for various short circuit current levels are listed in the tabulation below. Any circuit breaker installed, replaced, or added in this panelboard must be manufactured by Siemens and must be of the correct type as indicated in the tabulations below.

PANELBOARD SERVICE DISCONNECT M2 **	BRANCH BREAKER	SERVICE DISCONNECT M1	Then the maximum short circuit current rating in RMS symmetrical Amperes, 120/240 Vac is:
When the installed panelboard service disconnect is a Siemens Type	And the branch breakers installed are Siemens Type	And the second installed service disconnect is a Siemens Type	
QNRH	QP, QT, QPH, HQP, QPF, QPHF, QAF, QAFH, QE, QEH, QNR, QNRH, QG	QP, QNR	10,000
	QP, QT, QPH, HQP, QPF, QPHF, QAF, QAFH, QE, QEH, QNRH	QPH, QNRH	22,000

** The factory installed main is Type QNRH

Siemens Energy & Automation, Inc. Alpharetta, Georgia U.S.A.

MANUFACTURING DATE:

J2

4099906 REV. D

Important Do not spray or allow any petroleum based chemicals, solvents, or paint to contact interior components.

®The National Electrical Code is a registered trademark of the National Fire Protection Association.

©2007 Copyright Siemens Energy & Automation, Inc.

ASSEMBLED IN MEXICO