

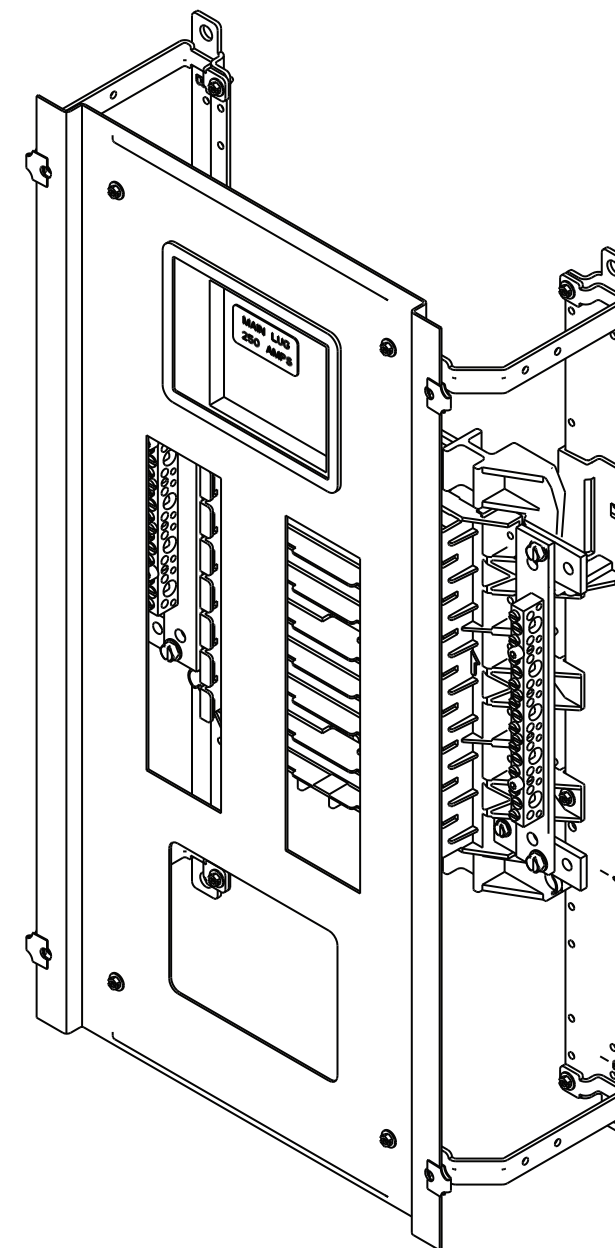
These instructions do not purport to cover all details or variations in equipment, or to provide for every possible contingency to be met in connection with installation, operation or maintenance. Should further information be desired or should particular problems arise, which are not covered sufficiently for the purchaser's purposes, the matter should be referred to the local Siemens sales office. The contents of this Instruction manual shall not become part of or modify any prior or existing agreement, commitment or relationship. The sales contract contains the entire obligation of Siemens. The warranty contained in the contract between the parties is the sole warranty of Siemens. Any statements contained herein do not create new warranties or modify the existing warranty.

Trademarks - Unless otherwise noted, all names identified by ® are registered trademarks of Siemens AG or Siemens Industry, Inc. The remaining trademarks in this publication may be trademarks whose use by third parties for their own purposes could violate the rights of the owner.

# SIEMENS

## LNLK4X11B, LNLK6X17B or LNLK7X20B 2/0 Neutral Lug Kit for P1 or P3 Panelboards (for P1, only for Revised P1 Panelboards)<sup>1</sup>

Installation  
Instructions



<sup>1</sup> To confirm, note the part number of the panel (marked on the interior label). If it ends in an "N" or a "T" it is a "Revised P1" and is compatible with this kit. (For example: P1E42MC250A is an Original P1; P1E42MC250AT is a Revised P1)

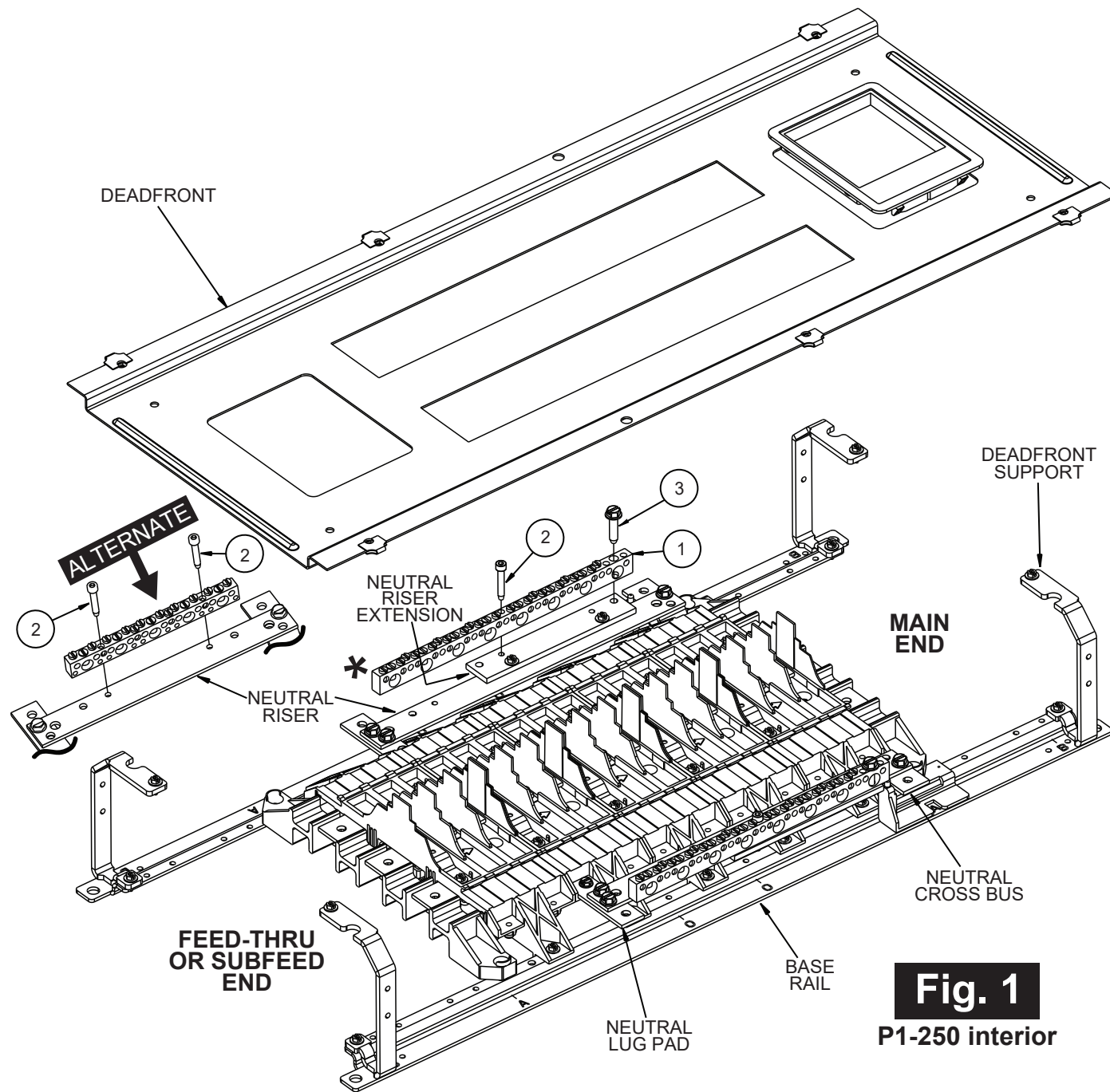
# Installation Instructions

The following instructions are for the installation of a Siemens neutral kit in a Revised P1 or a P3 panelboard. The parts provided in this kit are for connection to a 1-phase 3-wire or 3-phase 4-wire system. The LNLK\*X\*\*B kits are for panels requiring 2/0 mechanical connectors.

NOTE: Kit restricted by longest size that fits the neutral riser extensions.



**⚠ DANGER**  
**Hazardous voltage. Will cause death or serious injury.**  
 Keep out. Qualified personnel only. Disconnect and lock off all power before working on this equipment.



**Fig. 1**  
P1-250 interior

\* IN SOME INSTALLATIONS, THE 2/0 NEUTRAL STRIP LUG WILL EXTEND BEYOND THE END OF THE NEUTRAL RISER EXTENSION.

THE 2/0 NEUTRAL STRIP LUG **MUST** BE ATTACHED TO THE NEUTRAL RISER EXTENSION IF PRESENT; OTHERWISE, ATTACH DIRECTLY TO THE NEUTRAL RISER.

**THIS KIT CONTAINS THE FOLLOWING ITEMS:**

ITEM	DESCRIPTION	QTY	TORQUE(lb-in) (by material & thickness)					USED ON
			ALUMINUM		COPPER			
			3/16"	1/4"	1/8"	3/16"	1/4"	
1	2/0 NEUTRAL STRIP LUG	2	N/A	N/A	N/A	N/A	N/A	ALL
2	#10-24 x 1-1/8" SOCKET CAP SCREW, THREAD-FORMING	2	30	30	25	50	N/A	RP1
3	1/4"-20 x 1" HEX WASHER HEAD SCREW, THREAD-FORMING	2	30	N/A	50	N/A	N/A	RP1-250
4	1/4"-20 x 1-1/8" HEX WASHER HEAD SCREW, THREAD-FORMING	2	N/A	50	N/A	72	N/A	RP1-400
5	#10-24 x 1-3/8" SOCKET CAP SCREW, THREAD-FORMING	2	N/A	30	N/A	N/A	50	P3
6	1/4"-20 x 1-3/8" HEX WASHER HEAD SCREW, THREAD-FORMING	2	N/A	50	N/A	N/A	72	P3

1. Lock off all power supplying this equipment before working on it.
2. Remove the deadfront.
3. Remove the existing Neutral Strip Lugs and replace with 2/0 Neutral Strip Lugs (Item 1) and hardware provided in this kit.

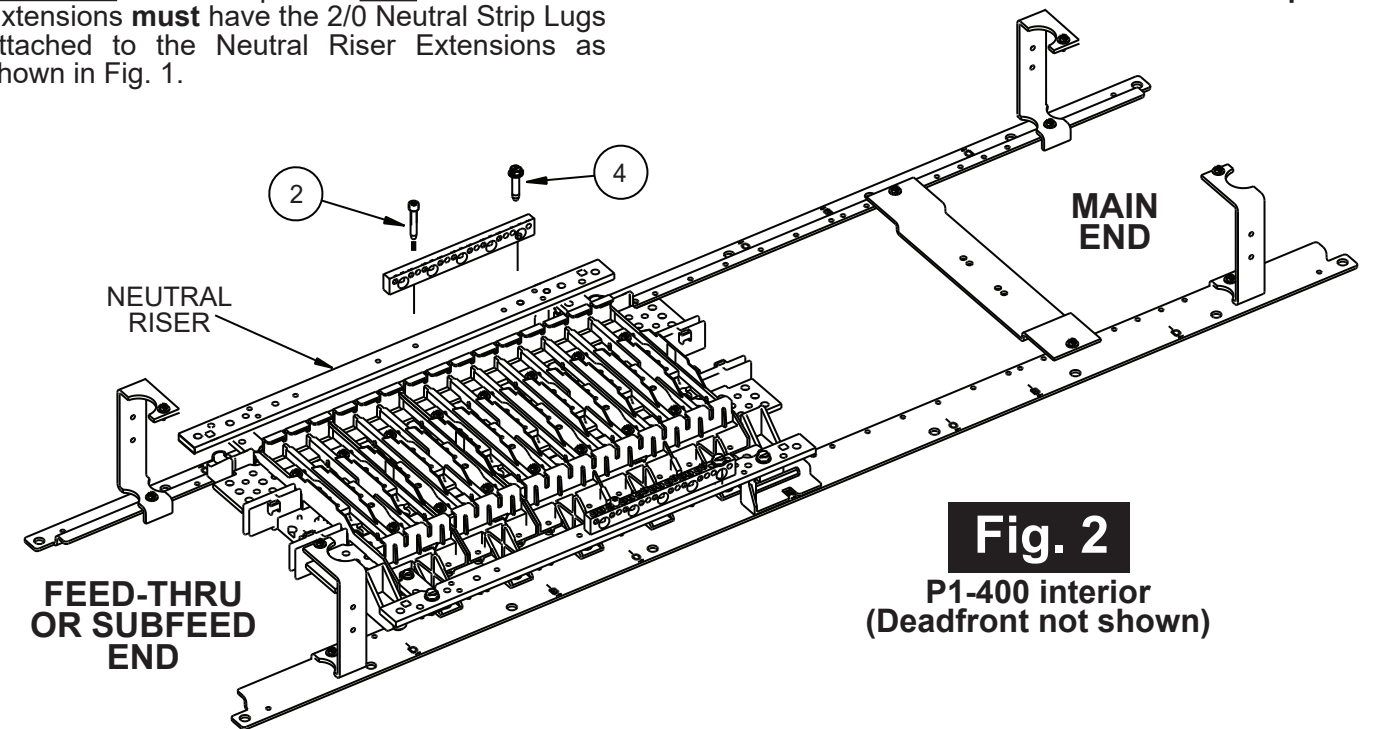
**NOTE #1:** There are two bags of hardware:

- a. The bag with 6 screws is for RP1 panels.
  - i. #10-24 x 1-1/8" (Item 2) used for both RP1-250 and RP1-400 panels.
  - ii. 1/4"-20 x 1" (Item 3) for RP1-250 only.
  - iii. 1/4"-20 x 1-1/8" (Item 4) for RP1-400 only.
- b. The bag with 4 screws (Items 5 and 6) is for P3 panels. See Fig. 3 (on next page)

**NOTE #2:** RP1-250 panels **with** Neutral Riser Extensions **must** have the 2/0 Neutral Strip Lugs attached to the Neutral Riser Extensions as shown in Fig. 1.

**NOTE #2 (continued):** RP1-250 panels **without** Neutral Riser Extensions and RP1-400 panels have the 2/0 Neutral Strip Lugs mount directly to the Neutral Riser as shown in Fig. 1 (alternate riser) and Fig. 2.

4. Torque all connections to the values specified on the Hardware Tightening Torque label affixed to the rear of the deadfront.
5. Attach branch cables to the Neutral Strip Lugs and torque all connections to the values specified on the device. If no values are specified, refer to the Hardware Tightening Torque label affixed to the rear of the deadfront.
6. Before energizing the panel, ensure that all connections have been properly torqued, the deadfront is installed & all fillers are in place.



**Fig. 2**  
P1-400 interior  
(Deadfront not shown)