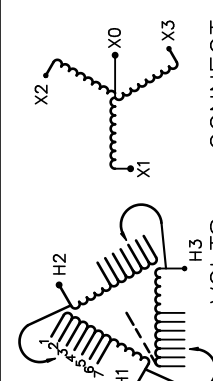




REVISION	DATE	BY	DATE	BY
		DRAWN	03/07/16	VG
		CHEK'D		
		VERIF'D		

Confidential - Property of Siemens Industry, Inc. Building Technologies Division	
CUSTOMER	
ORDER NO.	DWG. NO.
	3F3Y225FTP1
	SH 1 OF 2

SIEMENS

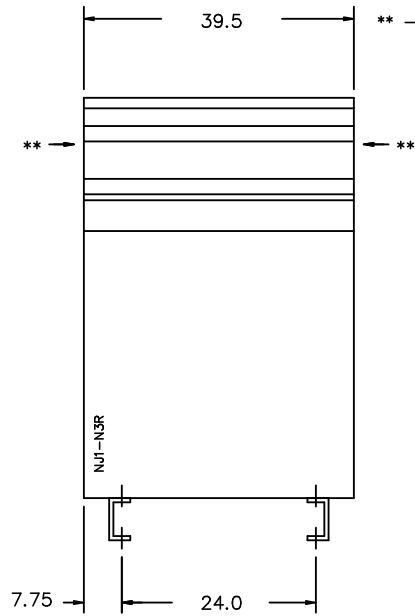
CATALOG NO. 3F3Y225FTP1 SERIAL NO. 225 kVA 60 Hz 3 PHASE 5.8 % IMP AT 135 °C 115 °C RISE °C AVG. AMBIENT 220 °C TEMP CLASS °C MAX. AMBIENT PRIMARY (H1 H2 H3) 480V V SECONDARY(X0 X1 X2 X3) 208Y/120V V WINDING MATERIAL AL ENCLOSURE TYPE NEMA-3R WEIGHT 1550 LBS ENERGY EFFICIENCY NEMA TP 1-2002	 VOLTS 504 492 480 468 456 444 432 CONNECT 1 2 3 4 5 6 7	<div style="display: flex; justify-content: space-around;">   </div> <p style="text-align: center;"> UL LISTED DRY TYPE TRANSFORMER 77105 E112313 TYPE K </p>
SUITABLE FOR INDOOR OR OUTDOOR LOCATIONS BEFORE HANDLING, INSTALLING AND OPERATING, SEE INSTRUCTION MANUAL NEMA Class ANN Dry Type Transformer Siemens Industry, Inc. Norcross, GA dsu0082e		



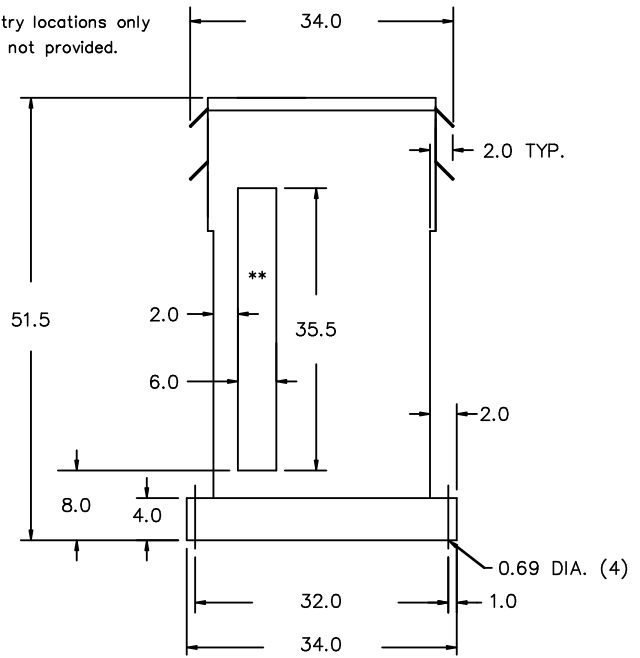
3F3Y225FTP1

FRONT VIEW

SIDE VIEW



** - Recommended cable entry locations only
cutouts & gland plates not provided.



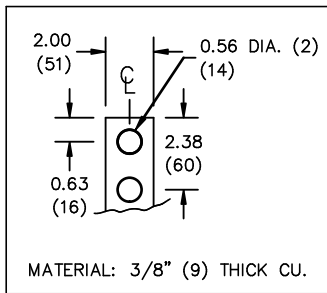
All Dimensions in inches

ENCLOSURE COLOR : ANSI 61 GREY - OUTDOOR

H.V.1. TERMINAL DETAIL

L.V.1. TERMINAL DETAIL

MECHANICAL TYPE LUGS INCLUDED
SUITABLE FOR 350MCM-6 CU/AL
CONDUCTORS
2 CONDUCTORS PER PHASE



CUSTOMER NOTES:

- HV1 TERMINATED AT TOP FRONT
- LV1 TERMINATED AT COIL FACE

Confidential - Property of
Siemens Industry, Inc.
Building Technologies Division

REVISION	DATE	BY	DATE	BY
		DRAWN	03/07/16	VG
		CHEK'D		
		VERIF'D		

CUSTOMER	
ORDER NO.	DWG. NO. 3F3Y225FTP1
SH 2 OF 2	

0.3 jwen 2010/03/10 13:45