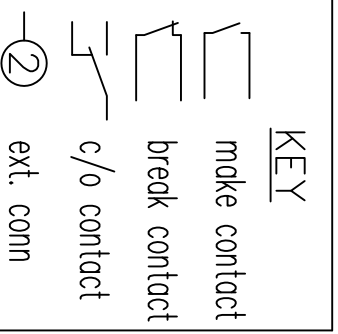
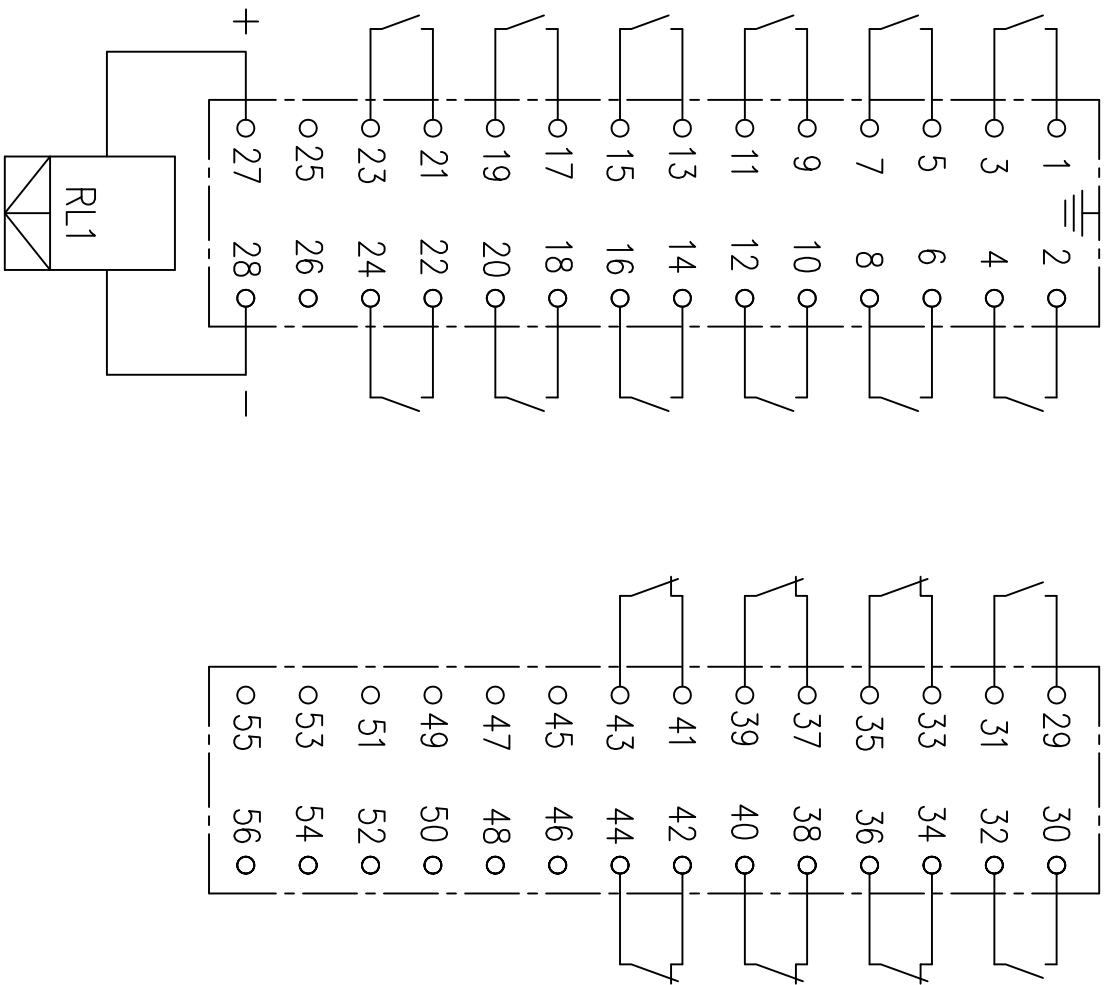


2112W50247



Title: WIRING DIAGRAM FOR 14M06B LATCHING HAND RESET TRIP RELAY (E4)

SIEMENS PROTECTION DEVICES LTD.

ISSUE 1 DATE 26/08/14 MOD.No. J.BURNETT CHECKED: APPROVED: N.C DATE: 26/08/2014 E: SHEET 1/2

FOR INTERNAL USE ONLY
UNCONTROLLED COPY
NOT SUBJECT TO UPDATE

LOOKING ON REAR OF RELAY

QUIER TERMINAL BLOCK ASSY:-
ASSEMBLY INSTRUCTIONS:-
TYPICAL ASSEMBLY DRAWING 2995G10029.
AT INDICATED POSITIONS FIT AS FOLLOWS:
S - FIT STANDARD CONTACT 2995B10051
HC - FIT 'HEAVY CURRENT' KIT 2995G10030
WHERE IS SHOWN FIT CT SHORTING KIT 2995G10031
POSITIONS SHOWN BLANK ARE UNUSED.
ALL POSITIONS FIT SCREW 2106F12506.

30	S	S	S	29	2	S	S	1
32	S	S	S	31	4	S	S	3
34	S	S	S	33	6	S	S	5
36	S	S	S	35	8	S	S	7
38	S	S	S	37	10	S	S	9
40	S	S	S	39	12	S	S	11
42	S	S	S	41	14	S	S	13
44	S	S	S	43	16	S	S	15
46	S	S	S	45	18	S	S	17
48	S	S	S	47	20	S	S	19
50	S	S	S	49	22	S	S	21
52	S	S	S	51	24	S	S	23
54	S	S	S	53	26	S	S	25
56	S	S	S	55	28	S	S	27

VIEW FROM INSIDE
FACE

2112W50247

FRAME TERMINAL BLOCK ASSY:-
ASSEMBLY INSTRUCTIONS:-
TYPICAL ASSEMBLY DRAWING 2995G10032.
AT INDICATED POSITIONS FIT AS FOLLOWS:
T - FIT TRIP ISOLATION CONTACT 2995B10053
S - FIT STANDARD CONTACT 2995B10054
SECURE CONTACTS USING FIXING SCREW 2109F99009.
POSITIONS SHOWN BLANK ARE UNUSED

30	T	T	29	2	T	T	1
32	T	T	31	4	T	T	3
34	T	T	33	6	T	T	5
36	T	T	35	8	T	T	7
38	T	T	37	10	T	T	9
40	T	T	39	12	T	T	11
42	T	T	41	14	T	T	13
44	T	T	43	16	T	T	15
46	T	T	45	18	T	T	17
48	T	T	47	20	T	T	19
50	T	T	49	22	T	T	21
52	T	T	51	24	T	T	23
54	T	T	53	26	T	T	25
56	T	T	55	28	T	T	27

VIEW FROM NUMBERED
SIDE OF BLOCK

Title: TERMINAL BLOCK DIAGRAM FOR 14M06B LATCHING HAND RESET TRIP RELAY (E4)

SIEMENS PROTECTION DEVICES LTD.

ISSUE 1 DATE 26/08/14 MOD.No. J.BURNETT CHECKED: APPROVED: N.C DATE: 26/08/2014 E: SHEET 2/2