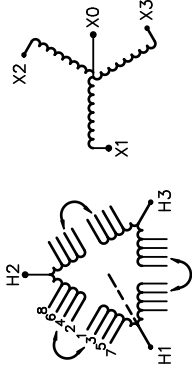
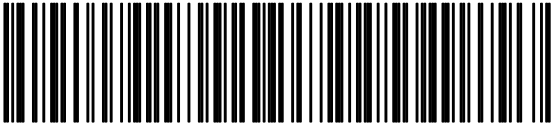


# SIEMENS

CATALOG NO. 3F3Y500CLN3D16BA SERIAL NO. SERIES H 500 kVA 60 Hz 3 PHASE 4.6 % IMP AT 170 °C			
150 °C RISE	30 °C AVG. AMBIENT	VOLTS CONNECT 1-2 504 2-3 492 3-4 480 4-5 468 5-6 456 6-7 444 7-8 432	
220 °C TEMP CLASS	40 °C MAX. AMBIENT	PRIMARY ( H1 H2 H3 ) 480 V 10 kV BIL SECONDARY( X0 X1 X2 X3 ) 208Y/120 V 10 kV BIL	
WINDING MATERIAL CU			
ENCLOSURE TYPE 3R		WEIGHT 3400LBS	
ENERGY EFFICIENCY EXCEEDS CSA 802.2-2012 DOE 10 CFR PART 431:2016			
SPACINGS BETWEEN ANY VENTILATED ENCLOSURE PANEL AND ANY ADJACENT WALL SHALL BE A MINIMUM OF 12 INCHES			
SOUND LEVEL IS 3 DB LOWER THAN NEMA ST20 REQUIREMENTS			
SUITABLE FOR INDOOR OR OUTDOOR LOCATIONS BEFORE HANDLING, INSTALLING AND OPERATING; SEE INSTRUCTION MANUAL			
NEMA Class ANN Dry Type Transformer		Siemens Industry, Inc. Norcross, GA	



3F3Y500CLN3D16BA

TYPE K

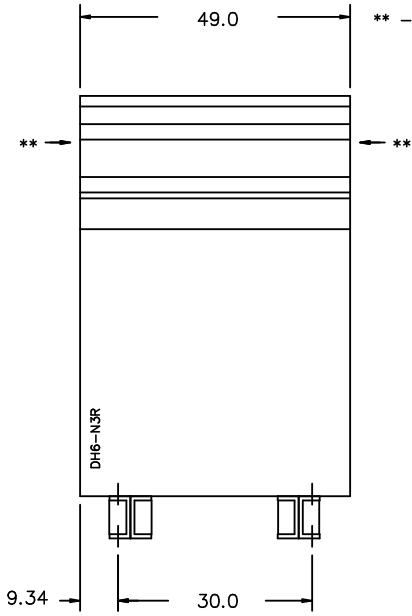
UL LISTED  
 7715 E112313  
 TRANSFORMER LR 3902

SEISMIC QUALIFICATIONS, FLOOR MOUNT ONLY  
 OSP-0136-10 IBC 2012/ASCE 7-10  
 SDS<=2.0g z/h=1 Ip=1.5

REVISION	DATE	BY	DATE	BY
		DRAWN	16/11/07	GP
		CHEK'D		
		VERIF'D		

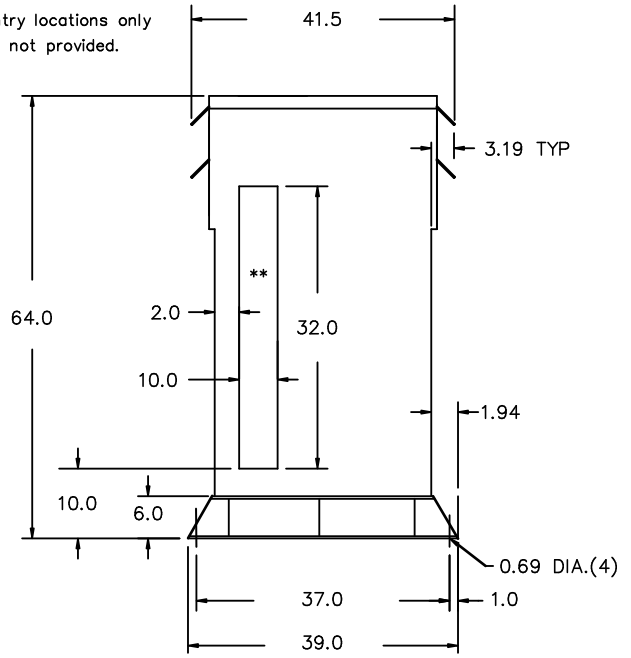
Confidential - Property of <b>Siemens Industry, Inc.</b>	
CUSTOMER	
ORDER NO.	DWG. NO.
	3F3Y500CLN3D16BA SH 1 OF 2

FRONT VIEW



\*\* - Recommended cable entry locations only  
cutouts & gland plates not provided.

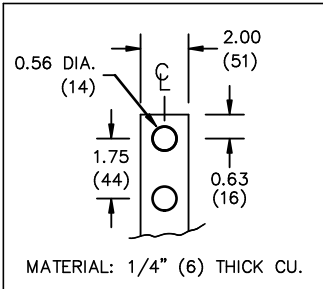
SIDE VIEW



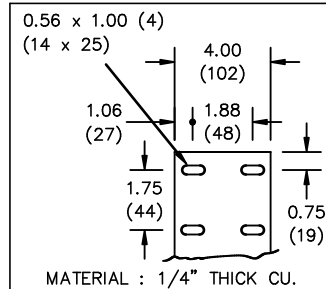
All Dimensions in inches

ENCLOSURE COLOR : ANSI 61 GREY - OUTDOOR

H.V.1. TERMINAL DETAIL



L.V.1. TERMINAL DETAIL



CUSTOMER NOTES:

- HV1 TERMINATED AT TOP FRONT
- LV1 TERMINATED AT BOTTOM FRONT

Confidential - Property of  
Siemens Industry, Inc.

REVISION	DATE	BY	DATE	BY
			16/11/07	GP

CUSTOMER	
ORDER NO.	DWG. NO.
	3F3Y500CLN3D16BA SH 2 OF 2