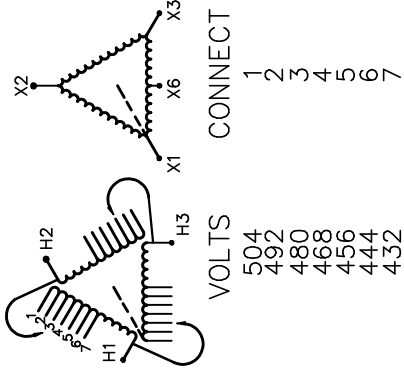


REVISION	DATE	BY	DATE	BY
			15/11/09	JW
			CHEK'D	
1 ADDED ENCL BOTTOM DRAWING	17/04/03	JW	VERIF'D	

CUSTOMER		
ORDER NO.	DWG. NO.	1
	3F1Y075BD16	SH 1 OF 3

SIEMENS

CATALOG NO. 3F1Y075BD16 SERIAL NO. SERIES H 75 kVA 60 Hz 3 PHASE 3.8 % IMP AT 100 °C	
80 °C RISE	30 °C AVG. AMBIENT
220 °C TEMP CLASS	40 °C MAX. AMBIENT
PRIMARY (H1 H2 H3)	480V V 10 kV BIL
SECONDARY(X1 X2 X3)	240V V 10 kV BIL
WINDING MATERIAL AL	
ENCLOSURE TYPE 3R	WEIGHT 665 LBS
ENERGY EFFICIENCY EXCEEDS CSA C802.2-2012 DOE 10 CFR PART 431:2016	
SPACINGS BETWEEN ANY VENTILATED ENCLOSURE PANEL AND ANY ADJACENT WALL SHALL BE A MINIMUM OF 5 INCHES EXCEPT WHEN WALL MOUNTED USING APPROVED WALL MOUNTING KIT X6=120V CT, 5% OF KVA RATING MAXIMUM	
SUITABLE FOR INDOOR OR OUTDOOR LOCATIONS BEFORE HANDLING, INSTALLING AND OPERATING, SEE INSTRUCTION MANUAL	
NEMA Class ANN Dry Type Transformer	Siemens Industry, Inc. Norcross, GA <small>dsu0086e</small>



VOLTS	CONNECT
504	1
492	2
480	3
468	4
456	5
444	6
432	7



TYPE K

UL LISTED
DRY TYPE TRANSFORMER E112313

SP LR 3902

SEISMIC QUALIFICATIONS, FLOOR MOUNT ONLY
 OSP-0136-10 IBC 2012/ASCE 7-10
 SDS<=2.0g Z/h=1 Ip=1.5

Siemens Industry, Inc.



All Dimensions in inches

ENCLOSURE COLOR :ANSI 61 GREY – OUTDOOR

H.V.1. TERMINAL DETAIL

L.V.1. TERMINAL DETAIL

MECHANICAL TYPE LUGS INCLUDED
SUITABLE FOR 250MCM-6 CU/AL
CONDUCTORS
1 CONDUCTOR PER PHASE

MECHANICAL TYPE LUGS INCLUDED
SUITABLE FOR 600MCM-2 CU/AL
CONDUCTORS
1 CONDUCTOR PER PHASE

CUSTOMER NOTES:

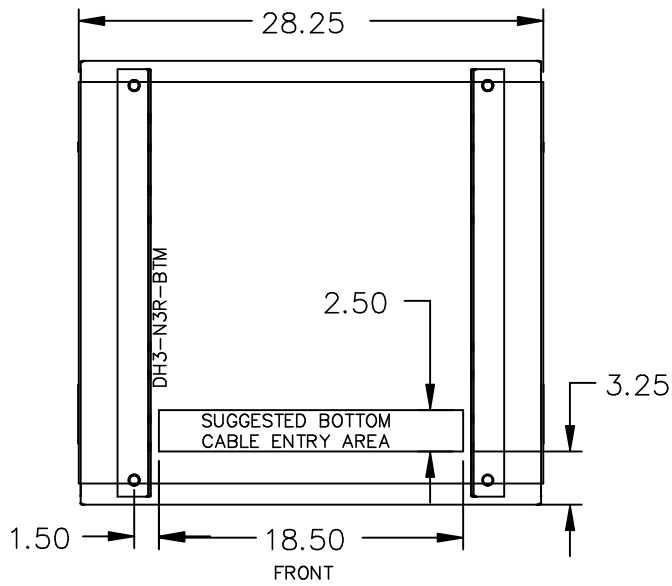
- HV1 TERMINATED AT TOP FRONT
- LV1 TERMINATED AT BOTTOM FRONT

Siemens Industry, Inc.

REVISION	DATE	BY	DATE	BY	CUSTOMER		
			15/11/09	JW			
1 ADDED ENCL BOTTOM DRAWING	17/04/03	JW					
					ORDER NO.	DWG. NO.	1
					3F1Y075BD16		SH 2 OF 3

1.1 jwen 2017/07/17 13:06

ENCLOSURE BOTTOM VIEW



NOTE:
 WHEN BOTTOM CABLE ENTRY IS OPTED, THE SPACE USED FOR CONDUITS IN THE FRONT OF THE TRANSFORMER SHOULD NOT OBSTRUCT MORE THAN 50% OF THE FRONT AIR INTAKE AREA DEFINED BETWEEN THE BOTTOM PLATE AND THE SUPPORTING LEGS.
 SEE MANUAL FOR ADDITIONAL INFORMATION

Siemens Industry, Inc.

REVISION	DATE	BY	DATE	BY	CUSTOMER		
			15/11/09	JW			
			CHEK'D				
1	ADDED ENCL BOTTOM DRAWING	17/04/03	JW	VERIF'D			
					ORDER NO.	DWG. NO.	1
					3F1Y075BD16		SH 3 OF 3