



**SIEMENS**



**Synco living**

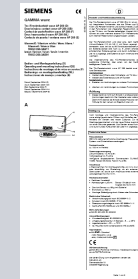
**Train the Trainer**

Mounting  
Safety Devices

August 2007

## Mounting Auxiliary Equipment Mounting the Door / Window Contact

### Door / window contact AP260



The door / window contact is supplied complete with Installation Instructions, battery, magnetic contact, and fixing material.



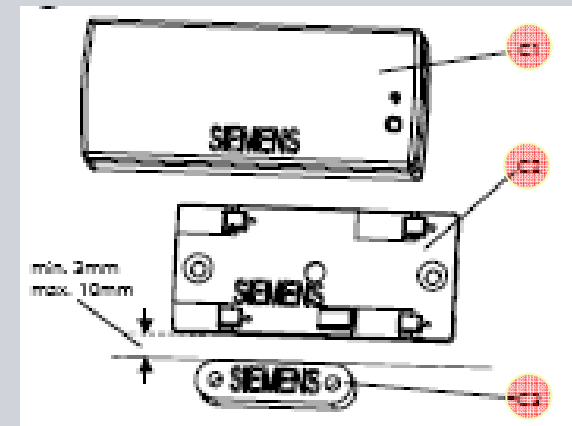
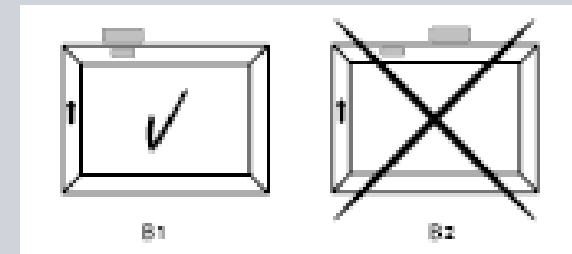
## Mounting Auxiliary Equipment

### Mounting the Door / Window Contact

#### Mounting location door / window contact AP260

It is recommended to secure the RF sensor (C1) to the door / window frame, and the magnet (C3) directly to the edge of the door itself or the window's wing.

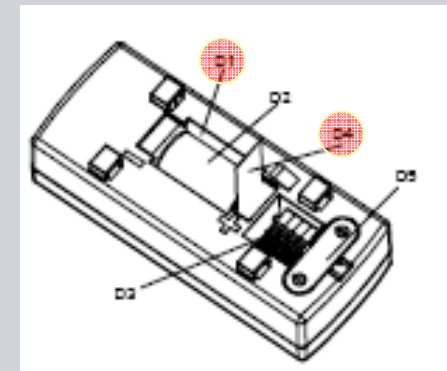
It must be ensured that the SIEMENS logo on the mounting plate (C2) and that on the magnet (C3) are aligned above one another and that the distance between the magnetic plate and the edge of the door or window is a minimum of 3 mm and a maximum of 10 mm.



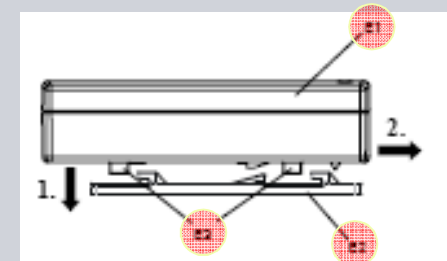
## Mounting Auxiliary Equipment Mounting the Door / Window Contact

### Mounting location door / window contact AP260

Prior to attaching the RF sensor (E1) to the mounting plate (E2), the **transit tab** (D4) at the rear of the RF sensor in the battery compartment (D1) **must be removed**.



Place the RF sensor (E1) on the mounting plate (E2) and slide it in the direction of the arrow until it engages in the catches (E3).



### Function check

When opening or closing the window or door, the LED briefly lights up twice.

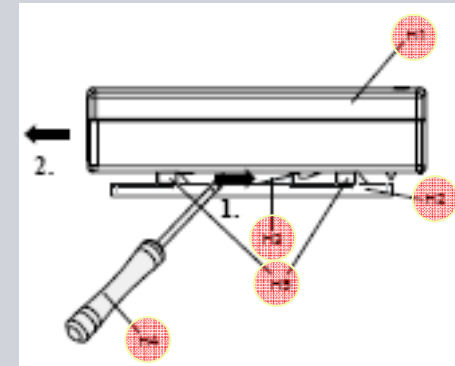


## Mounting Auxiliary Equipment

### Mounting the Door / Window Contact

#### Removing door / window contact AP260

For example, to replace the battery of the door / window contact, the RF sensor (H1) must be removed from its mounting plate. To do this, insert a tool (e.g. a small screwdriver (H4)) into the slot between RF sensor (H1) and mounting plate (H2), press the holding nose (H3) down and slide the RF sensor (H1) to the left over the holding nose out of its catches (H5).



# Mounting Auxiliary Equipment

## Mounting the Smoke Detector

### DELTA reflex smoke detector



The DELTA reflex smoke detector is supplied complete with Installation Instructions, batteries, and fixing material.

**Per room, maximum 1 DELTA reflex smoke detector can be fitted.**



## Mounting Auxiliary Equipment

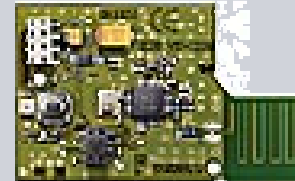
### Mounting the Smoke Detector

#### DELTA reflex smoke detector

To enable the DELTA reflex smoke detector to deliver an alarm via radio link, it requires a smoke detector module M255.



DELTA reflex smoke detector



Smoke detector module M255

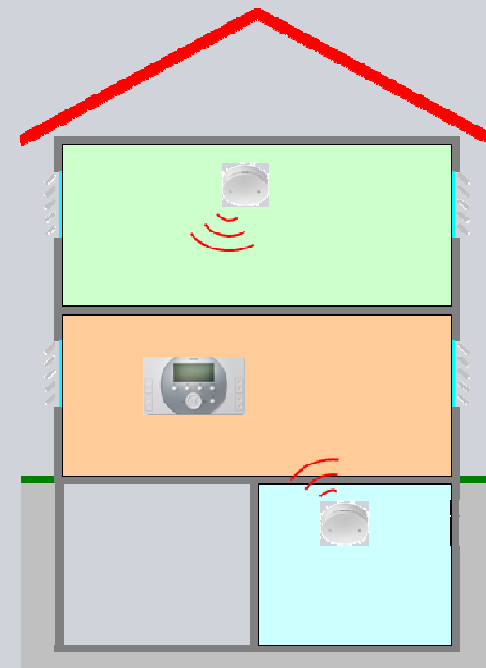
## Mounting Auxiliary Equipment

### Mounting the Smoke Detector

#### Mounting location DELTA reflex smoke detector

When choosing the mounting location for the smoke detector, the following points must be observed:

- Every smoke detector can cover an area of max. 60 m<sup>2</sup>
- Fit the smoke detector as close as possible to the center of the ceiling (minimum distance from wall and corner: 15 cm)
- In rooms with inclined or pointed ceilings, fit the smoke detector approx. 90 cm from the highest point of the ceiling
- In the case of rooms having a height of more than 3 m, several smoke detectors are required (mounting height on the wall = 2.5 m)
- Take air flows into account (depending on the type of house)





## Mounting Auxiliary Equipment

### Mounting the Smoke Detector

#### Unsuited mounting locations for the DELTA reflex smoke detector

- In rooms, where considerable amounts of water vapor, dust or smoke occur
- In rooms with open fire places
- In the vicinity of electrical fields (e.g. fluorescent energy saving lamps and wiring, minimum distance: 50 cm)
- At locations where ambient temperatures drop below 0 °C or exceed +50 °C

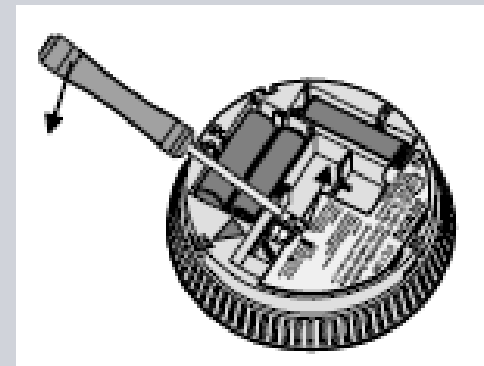


## Mounting Auxiliary Equipment

### Mounting the Smoke Detector

#### Inserting the smoke detector module

- Removing the module's cover:  
Insert a screwdriver in the respective opening and push it downward to lift the cover
- Hold the smoke detector module at the edges, insert it in its respective place and push it downward until the module's 2 lateral catches engage
- Replace the cover to prevent malfunctions (caused by pressure variations or air drafts)

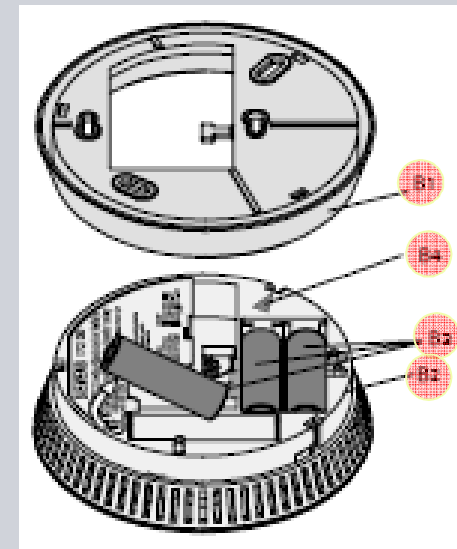


## Mounting Auxiliary Equipment

### Mounting the Smoke Detector

#### Mounting the DELTA reflex smoke detector

- Open the 2-sectional device (base B1 and smoke detector B2 ) by holding firmly the base and turning the detector counterclockwise
- Secure the base (B1) to the ceiling using the enclosed fixing material
- Insert the 3 enclosed batteries (B2) in the battery compartment (observe correct polarity)
- Place the smoke detector in the base and secure it by turning it in clockwise direction. Use the red triangles as an orientation aid



**The smoke detector can be secured in its base only when the batteries are inserted.**

