

Wrap-Around Terminals for Cu, Terminal for Cu / Al

Bornes de conexión tipo marco para cobre, cobre/Al

Boite à bornes pour raccordement de câble ,Cu , Al ou avec embout

	U.S. Cat. No.	Euro Order No.
Item:	TA1DG30	3VL9230-4TD01
	3TA1DG30	3VL9230-4TD31
	4TA1DG30	3VL9230-4TD41
	TC1DG30	3VL9230-4TD11
	3TC1DG30	3VL9230-4TD61
	TW1DG20	3VL9220-4TC01
	3TW1DG20	3VL9220-4TC31
	4TW1DG20	3VL9220-4TC41

For Use With Frame DG

Para Usar Con Caja Base DG

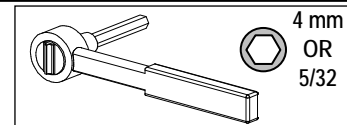
Installation Instructions / Instructivo de Instalación

	Danger	Peligro	Danger
	Hazardous Voltage. Will cause death or serious injury.	Tensión peligrosa. Puede causar la muerte o lesiones graves.	Tension dangereuse. Danger de mort ou risque de blessures graves.
	Turn off and lock out all power supplying this device before working on this device. Replace all covers before power supplying this device is turned on.	Desenergice totalmente antes de instalar o darle servicio. Reemplace todas las barreras y cubiertas antes de energizar el interruptor.	Couper l'alimentation de l'appareil et barrer avant de travailler. Remplacez tous les couverts avant que l'alimentation de pouvoir soit alimenté.

Use only with Siemens certified Components.

Utilizar únicamente con componentes certificados de Siemens.

A utiliser uniquement avec les composants certifiés Siemens.

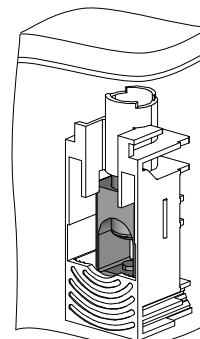


NOTE - These instructions do not purport to cover all details or variations in equipment, or to provide for every possible contingency to be met in connection with installation, operation or maintenance.

Should further information be desired or should particular problems arise, which are not covered sufficiently for the purchaser's purposes, the matter should be referred to the local Siemens sales office. The contents of this Instruction manual shall not become part of or modify any prior or existing agreement, commitment or relationship. The sales contract contains the entire obligation of Siemens. The warranty contained in the contract between the parties is the sole warranty of Siemens. Any statements contained herein do not create new warranties or modify the existing warranty.

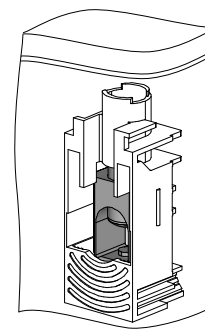
Trademarks - Unless otherwise noted, all names identified by ® are registered trademarks of Siemens AG or Siemens Industry, Inc.

The remaining trademarks in this publication may be trademarks whose use by third parties for their own purposes could violate the rights of the owner.



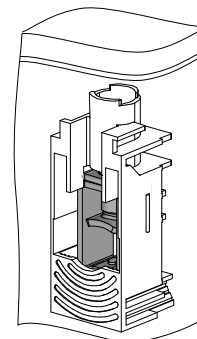
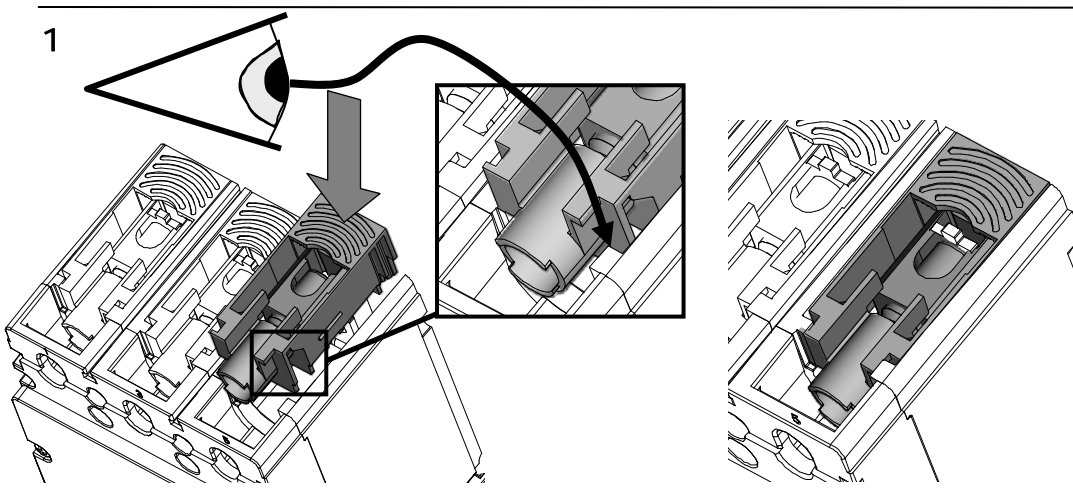
DG (Cu Only)

TC1DG30 / 3VL9230-4TD11
3TC1DG30 / 3VL9230-4TD61



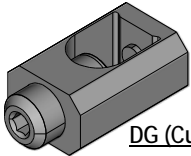

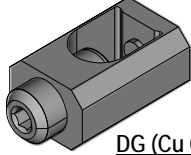

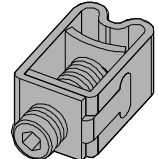

DG (Cu / Al)

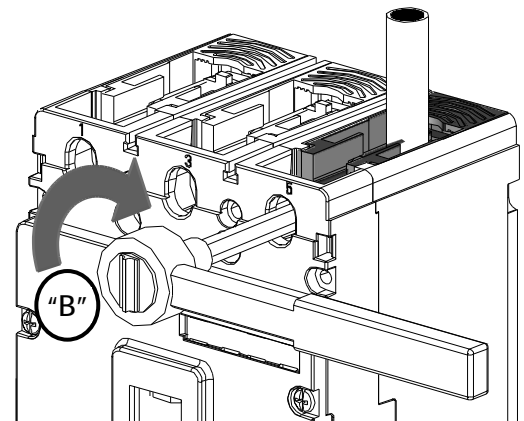
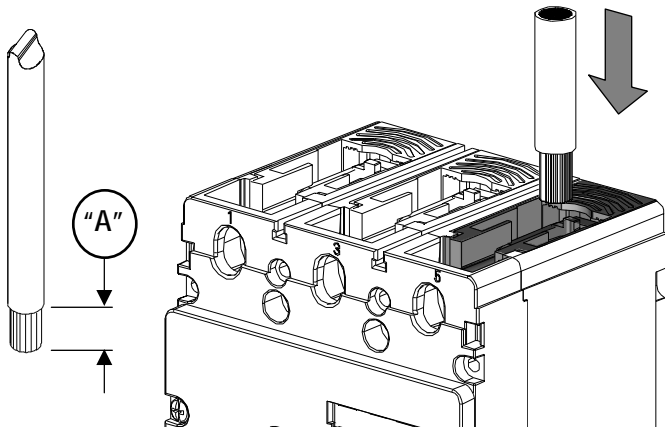
TA1DG30 / 3VL9230-4TD01
3TA1DG30 / 3VL9230-4TD31
4TA1DG30 / 3VL9230-4TD41



DG (Cu)

TW1DG20 / 3VL9220-4TC01
3TW1DG20 / 3VL9220-4TC31
4TW1DG20 / 3VL9220-4TC41

Wire Connector [Conexión del cable]	Wire Size [Rango Cable]	Req. UL 486A - 486B Wire Stranding (Cable)		Torque [esfuerzo de torsión] "B"	Wire Strip Length [Quitar] "A"	
		CU / AL Class B	CU Class C			
 DG (Cu / Al) TA1DG30 / 3VL9230-4TD01 3TA1DG30 / 3VL9230-4TD31 4TA1DG30 / 3VL9230-4TD41	4 mm OR 5/32 	Cu / Al 6 - 1 AWG [16 - 35 mm ²]	7 STRANDS	19 STRANDS	50 lb. in. [5,5 Nm]	.59" [15 mm]
	Cu / Al 1/0 - 3/0 AWG [50 - 70 mm ²]	19 STRANDS	37 STRANDS	120 lb. in. [13,5 Nm]		
 DG (Cu ONLY) TC1DG30 / 3VL9230-4TD11 3TC1DG30 / 3VL9230-4TD61	4 mm OR 5/32 	Cu ONLY [CU SOLAMENTE] 6 - 1 AWG [16 - 35 mm ²]	7 STRANDS	19 STRANDS	50 lb. in. [5,5 Nm]	.59" [15 mm]
	Cu ONLY [Cu SOLAMENTE] 1/0 - 3/0 AWG [50 - 70 mm ²]	19 STRANDS	37 STRANDS	120 lb. in. [13,5 Nm]		
 TW1DG20 / 3VL9220-4TC01 3TW1DG20 / 3VL9220-4TC31 4TW1DG20 / 3VL9220-4TC41	4 mm OR 5/32 	Cu Only [Cu SOLAMENTE] 8 AWG [10 mm ²]	7 STRANDS	19 STRANDS	35 lb. in. [4 Nm]	.59" [15 mm]
	Cu Only [CU SOLAMENTE] 6 - 1/0 AWG [16 - 50 mm ²]	70 lb. in. [8 Nm]				



For Support in Europe refer to :

Bestell-Nr. / Order No.: 3ZX1012-OVL68-5AA1

Internet: www.siemens.de/lowvoltage/technical-assistance

GWA 4NEB 179 6871-10 DS 04

Technical Support:

Toll Free: 1-800-241-4453

Internet: www.usa.siemens.com/powerdistribution