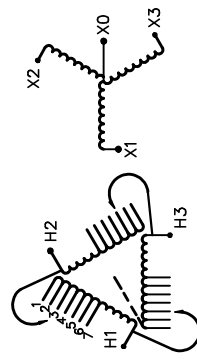


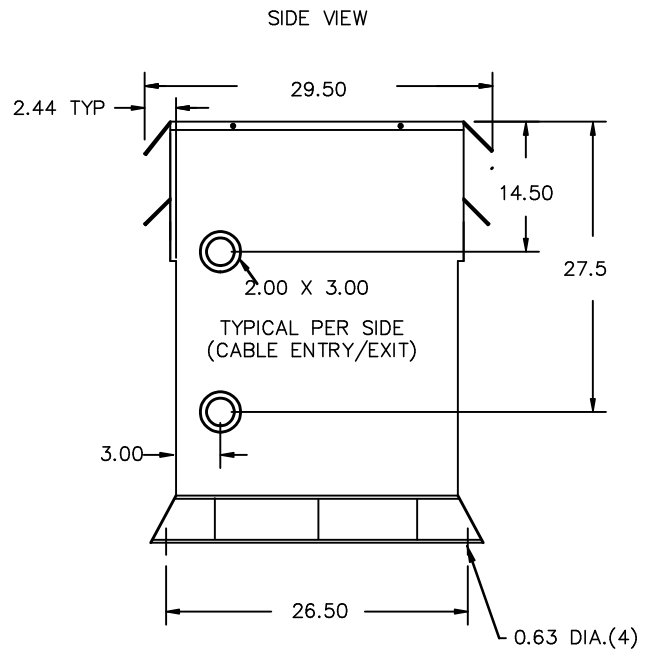
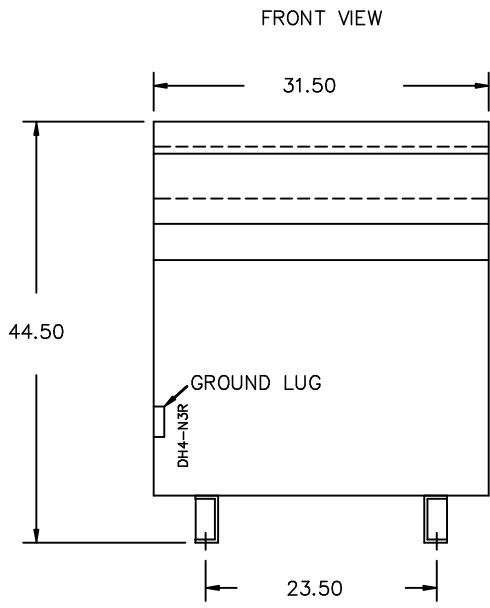
REVISION	DATE	BY	DATE	BY
		DRAWN	19/04/05	PP
		CHEK'D		
		VERIF'D		

CUSTOMER	
ORDER NO.	DWG. NO.
	3B3Y150D16
	SH 1 OF 3

SIEMENS

<p>CATALOG NO. 3B3Y150D16</p> <p>SERIAL NO.</p> <p>150 kVA 60 Hz 3 PHASE</p> <p>4.1 % IMP AT 170 °C</p> <p>150 °C RISE 30 °C AVG. AMBIENT</p> <p>220 °C TEMP CLASS 40 °C MAX. AMBIENT</p> <p>PRIMARY ( H1 H2 H3 ) 208V V 10 kV BIL</p> <p>SECONDARY( X0 X1 X2 X3 ) 208Y/120V V 10 kV BIL</p> <p>WINDING MATERIAL AL</p> <p>ENCLOSURE TYPE 3R WEIGHT 1100 LBS</p> <p>ENERGY EFFICIENCY EXCEEDS CSA D0E 10 CFR PART 431:2016 C802.2-2012</p> <p>SPACINGS BETWEEN ANY VENTILATED ENCLOSURE PANEL AND ANY ADJACENT WALL SHALL BE A MINIMUM OF 5 INCHES EXCEPT WHEN WALL MOUNTED USING APPROVED WALL MOUNTING KIT</p> <p>SUITABLE FOR INDOOR OR OUTDOOR LOCATIONS BEFORE HANDLING, INSTALLING AND OPERATING, SEE INSTRUCTION MANUAL</p> <p>NEMA Class ANN Dry Type Transformer Siemens Industry, Inc. Norcross, GA <small>dsu0086e</small></p>	<div style="text-align: center; margin-bottom: 10px;">  <p>VOLTS CONNECT</p> <p>218</p> <p>213</p> <p>208</p> <p>203</p> <p>198</p> <p>192</p> <p>187</p> </div> <div style="text-align: center; margin-bottom: 10px;"> <p>1</p> <p>2</p> <p>3</p> <p>4</p> <p>5</p> <p>6</p> <p>7</p> </div> <div style="text-align: center; margin-bottom: 10px;"> <p>TYPE K</p> <p>DRY TYPE TRANSFORMER</p> <p>UL LISTED E112313</p> <p>LR 3902</p> </div> <p>SEISMIC QUALIFICATIONS, FLOOR MOUNT ONLY OSP-0136-10 IBC 2012/ASCE 7-10 SDS&lt;=2.0g Z/h=1 Ip=1.5</p>
---	---

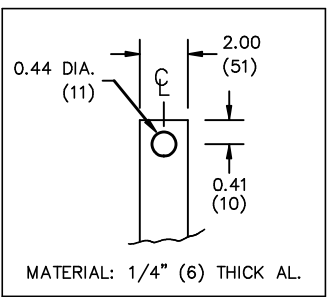




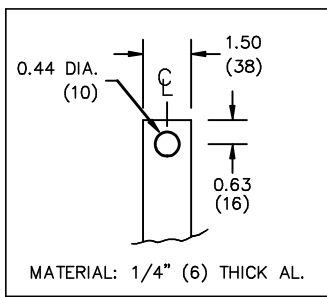
All Dimensions in inches

ENCLOSURE COLOR :ANSI 61 GREY – OUTDOOR

HV TERMINAL DETAIL



LV TERMINAL DETAIL



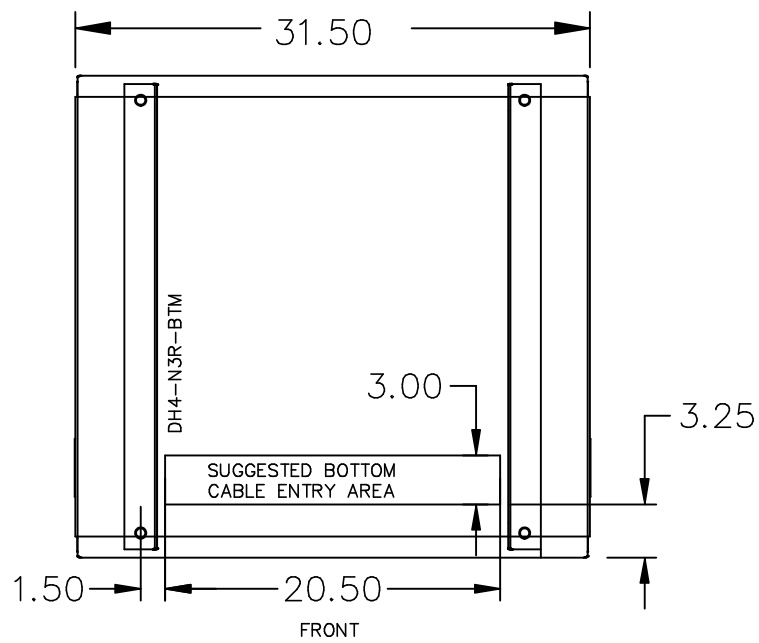
- CUSTOMER NOTES:
- HV TERMINATED AT TOP FRONT
  - LV TERMINATED AT BOTTOM FRONT

Siemens Industry, Inc.

REVISION	DATE	BY	DATE	BY
			19/04/05	PP

CUSTOMER	
ORDER NO.	DWG. NO.
	3B3Y150D16
SH 2 OF 3	

ENCLOSURE BOTTOM VIEW



NOTE:  
 WHEN BOTTOM CABLE ENTRY IS OPTED, THE SPACE USED FOR CONDUITS IN THE FRONT OF THE TRANSFORMER SHOULD NOT OBSTRUCT MORE THAN 50% OF THE FRONT AIR INTAKE AREA DEFINED BETWEEN THE BOTTOM PLATE AND THE SUPPORTING LEGS.  
 SEE MANUAL FOR ADDITIONAL INFORMATION

Siemens Industry, Inc.

REVISION	DATE	BY	DATE	BY	CUSTOMER
			19/04/05	PP	
			CHEK'D		ORDER NO.
			VERIF'D		DWG. NO. 3B3Y150D16
					SH 3 OF 3