

Catalog Numbers

Catalog No.	Amperage Rating	Max. Interrupting Rating
1 PHASE, 3 WIRE, 120/240V AC MAX		
WB1450C	450	65,000
WB1450CU	450	100,000
WB1500C	500	65,000
WB1500CU	500	100,000
WB1600C	600	65,000
WB1600CU	600	100,000
3 PHASE, 4 WIRE, 240V AC MAX		
WB3450C	450	65,000
WB3450CU	450	100,000
WB3500C	500	65,000
WB3500CU	500	100,000
WB3600C	600	65,000
WB3600CU	600	100,000

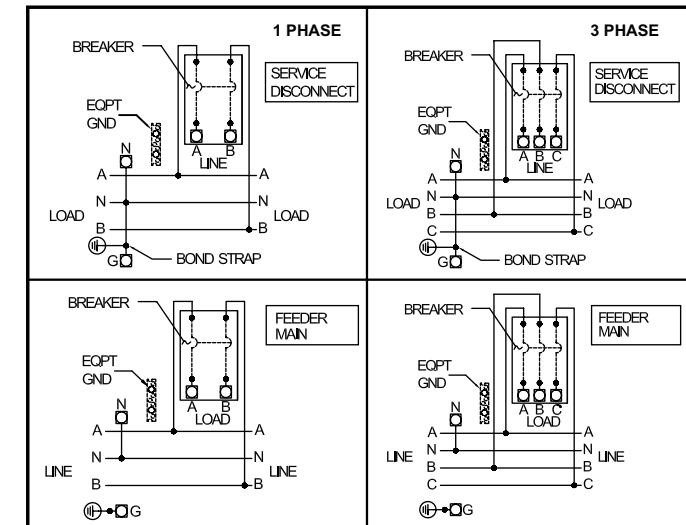
Replacement Parts, Accessories, and Additional Modules

FOR USE WITH:		
Module Description	Siemens Series#	Murray Series#
Main Breakers	(W)MC, WB, WEB	DB W
Switches	WMP, WMS, WS, WES	DPT W, DT W
Tap/Terminal Boxes	WMTB, WTB, WET	DTB W
Pull Boxes	WMMB, WPB, WAPB	DPB W
Meter Module	WMM, WxMM, WMT, WML, WMK	DG_W, DC_W, DL_W
Extension Box	WMEX, WSP	DS
Bussed Elbow	(W)BE	DL

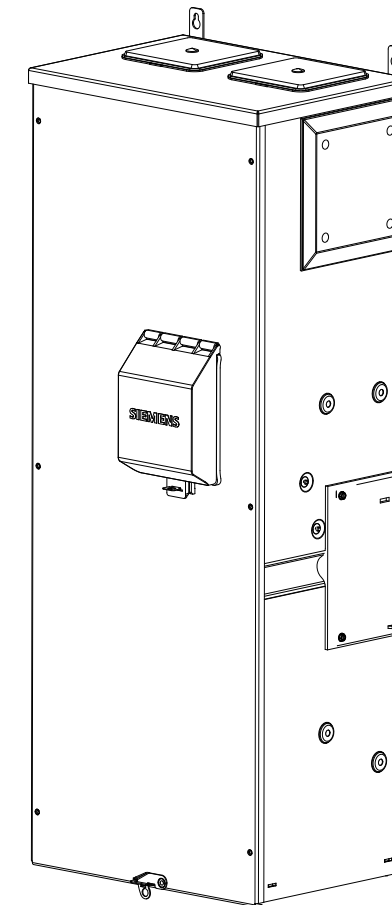
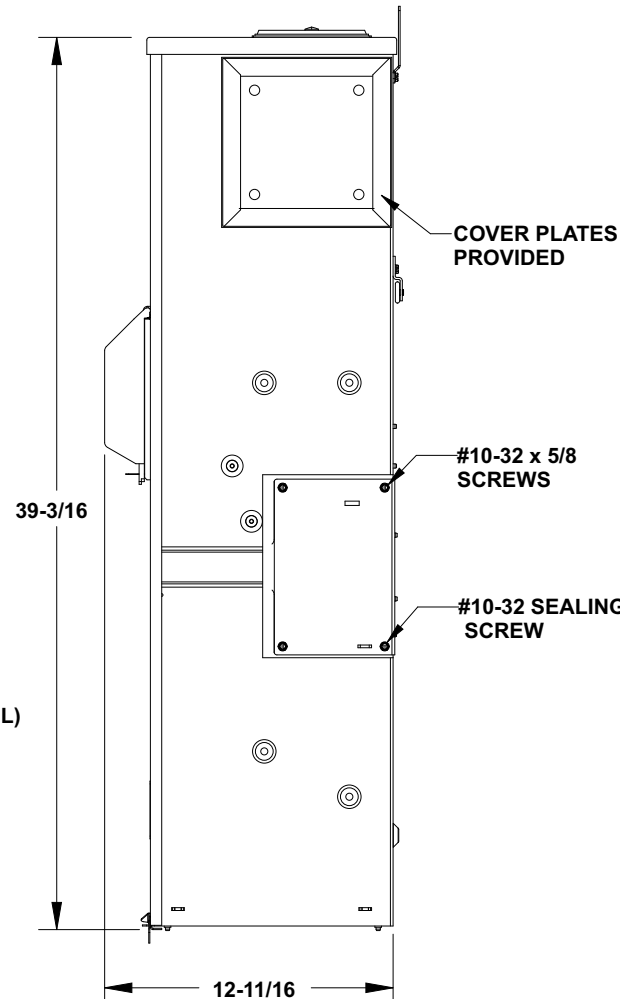
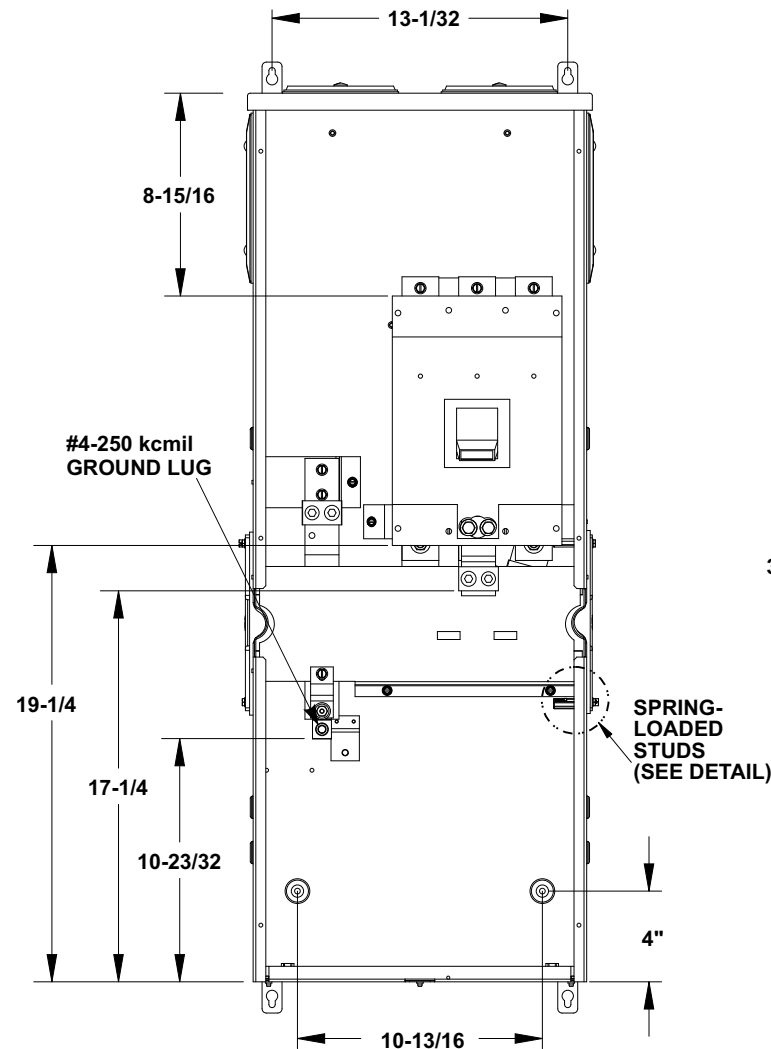
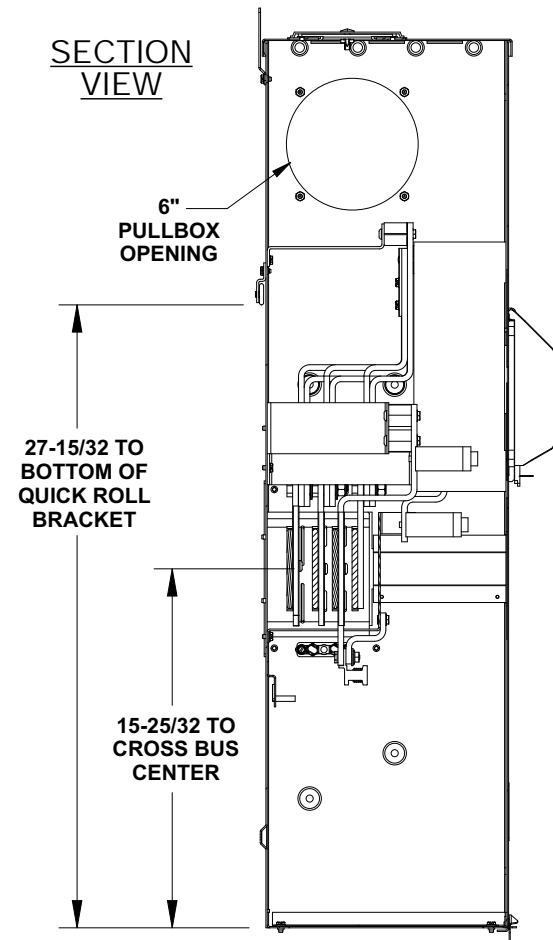
Siemens Accessories	Catalog Number
Hub Cover Plate	EC56933S
Type HD Hub 3"	EC56856
Type HD Hub 3-1/2"	EC56857
Type HD Hub 4"	EC56858
GND Bar Kit	ECLX069M
Lug Landing Pad	LLP600 (lugs ordered separately) UNDERGROUND USE ONLY
Connect Modules Using	
QuickConnect	QC1 (1ph) or QC4 (3ph) 400-440 lb-in (35-36 ft.-lb.) Torque
Single Bolt Joint	SBJ1 (1ph) or SBJ4 (3ph) 400-480 lb-in (35-40 ft.-lb.) Torque

Breaker Lug Kits (factory installed)				
Lug Kit	MFG	Wire Range	No. Wires per phase	Torque (lb.-in.)
Single Phase Mechanical Lug Kits				
LK12500	Siemens	3/0-500 kcmil CU 4/0-500 kcmil AL	2	300
Three Phase Mechanical Lug Kits				
LK32500	Siemens	3/0-500 kcmil CU 4/0-500 kcmil AL	2	300

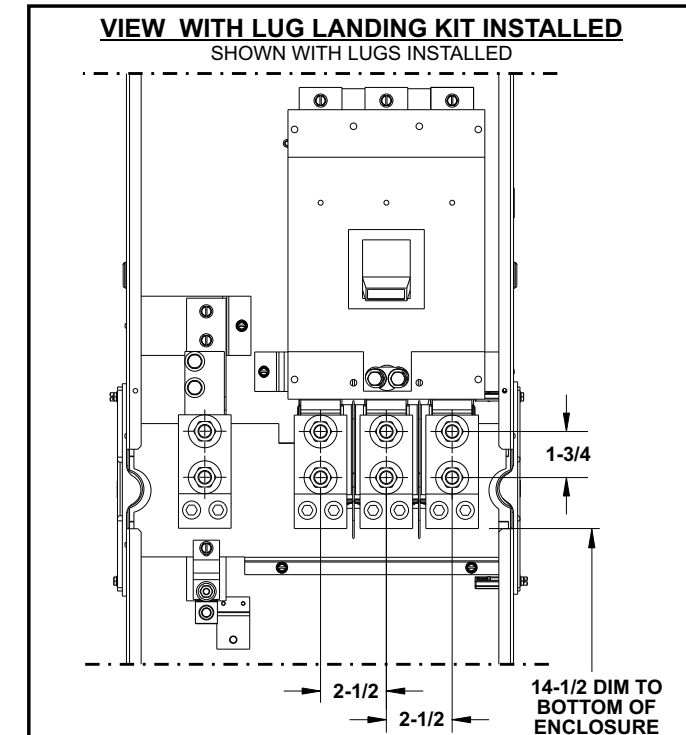
Schematics



SECTION VIEW



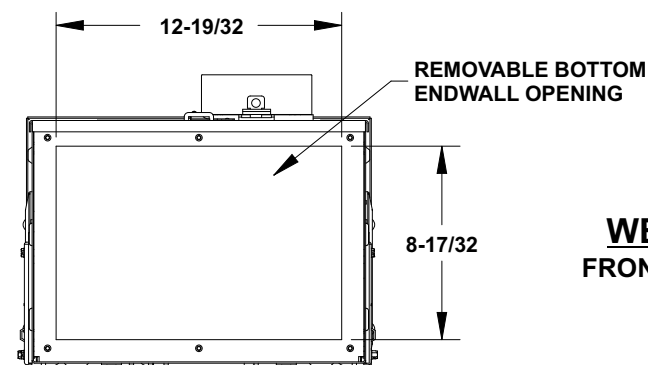
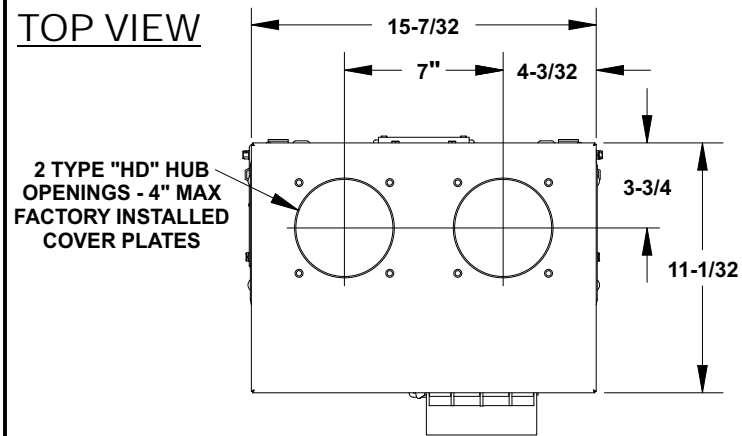
LLP600 Lug Landing Kit



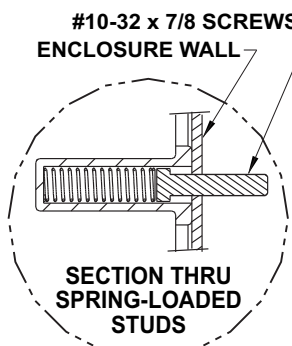
Lug Kits for LLP600 Phase and Neutral Connections

NEMA Lug	MFG	Wire Range	No. Wires per phase	Torque (lb.-in.)
Single Phase Mechanical Lug Kits				
LK12350N2	Siemens	#6-350 kcmil	2	275
Three Phase Mechanical Lug Kits				
LK32350N2	Siemens	#6-350 kcmil	2	275
Compression Lug Kits				
2ACL-350	IlSCO	350 kcmil	--	N/A

TOP VIEW



WB3600C (3 Phase) SHOWN FRONT VIEW SHOWN WITHOUT COVER



© 2010 Copyright Siemens Industry, Inc.

Siemens Industry, Inc.
Building Technologies Division

PowerMod™ Breaker Mains

Catalog Numbers: WB1450C thru WB3600CU
Service Entrance Breaker Mains

Size B Dwg. No. 500-600A_SE_Brkr_Mains
Dwn KAM Date 11/5/10 DO NOT SCALE DRAWING SHEET 1 OF 1