

Front rotary operating mechanism emergency stop IP30 NEMA type 1, with door interlock Lighting kit 24 V DC and door opening position  
Accessory for: 3VA6 150/250 3VA5 250



| Model                            |                                  |
|----------------------------------|----------------------------------|
| Product brand name               | SETRON                           |
| Product designation              | Accessories                      |
| Design of the product            | Front rotary operating mechanism |
| accessories                      | FRONT ROTARY OPERATING MECHANISM |
| General technical data           |                                  |
| Degree of protection NEMA rating | NEMA 1                           |
| Mechanical Design                |                                  |
| Height                           | 82 mm                            |
| Width                            | 105 mm                           |
| Depth                            | 106 mm                           |
| Certificates                     |                                  |

| General Product Approval   | EMC   | Declaration of Conformity   | other  |
|--|---|---|--|
| <br>CSA | <br>UL |  | <br>RCM <br>EG-Konf. <a href="#">Miscellaneous</a> |

#### Further information

**Information- and Downloadcenter (Catalogs, Brochures,...)**

<http://www.siemens.com/lowvoltage/catalogs>

**Industry Mall (Online ordering system)**

<https://mall.industry.siemens.com/mall/en/en/Catalog/product?mlfb=3VA9277-0EK37>

**Service&Support (Manuals, Certificates, Characteristics, FAQs,...)**

<https://support.industry.siemens.com/cs/ww/en/ps/3VA9277-0EK37>

**Image database (product images, 2D dimension drawings, 3D models, device circuit diagrams, ...)**

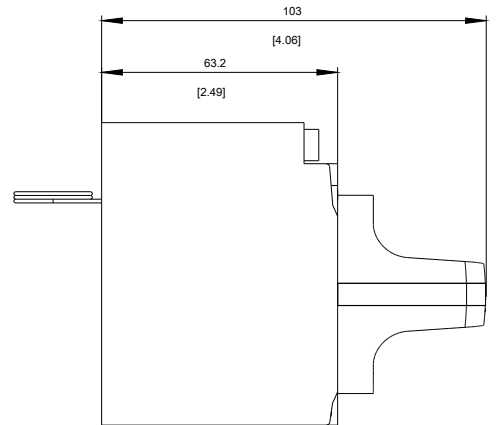
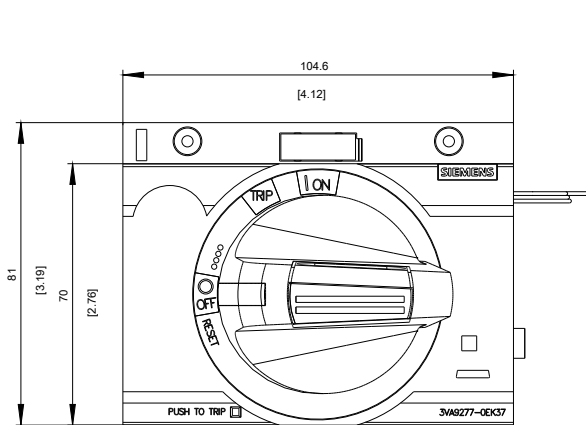
[http://www.automation.siemens.com/bilddb/cax\\_en.aspx?mlfb=3VA9277-0EK37](http://www.automation.siemens.com/bilddb/cax_en.aspx?mlfb=3VA9277-0EK37)

**CAX-Online-Generator**

<http://www.siemens.com/cax>

**Tender specifications**

<http://www.siemens.com/specifications>



**last modified:**

12/05/2017