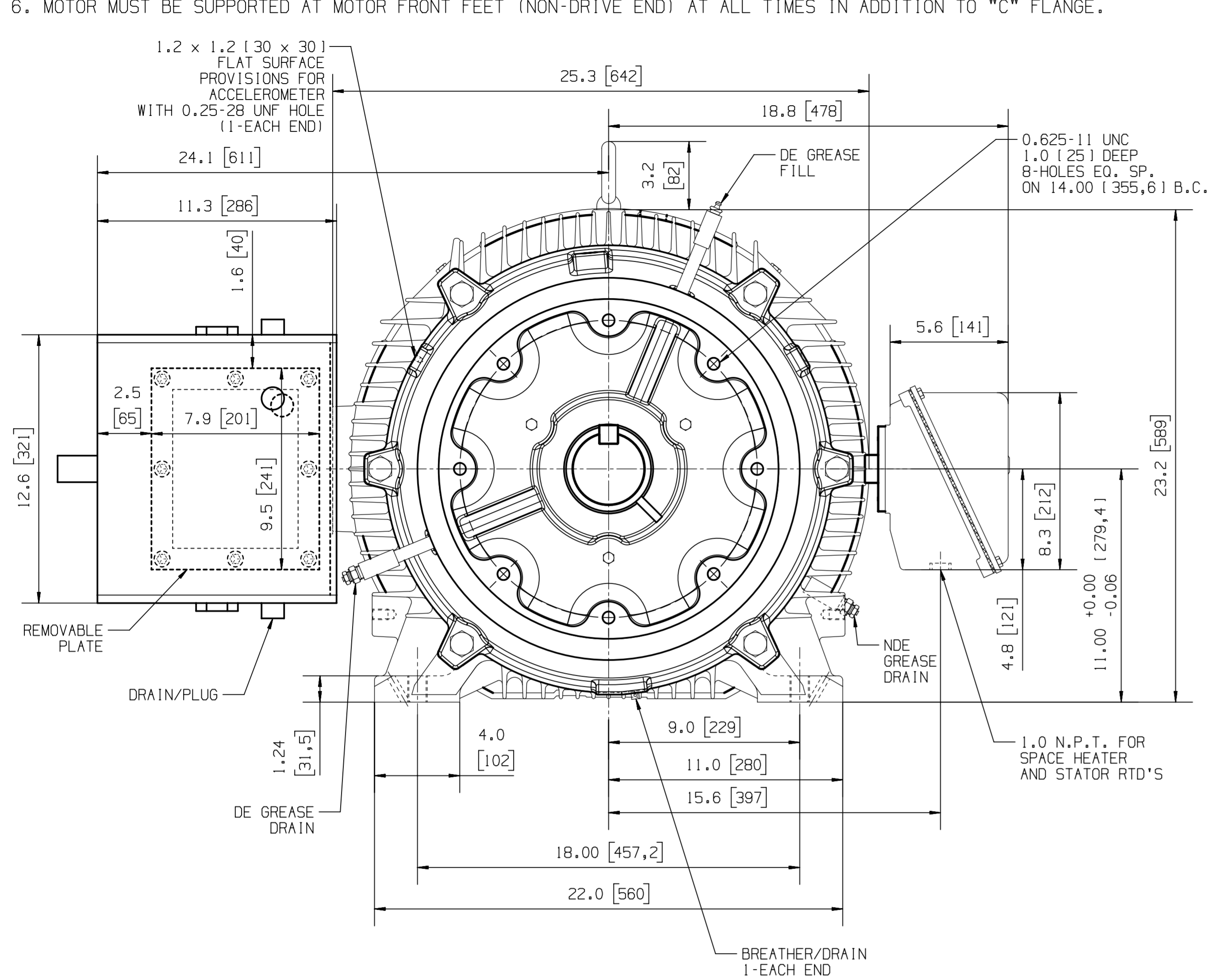
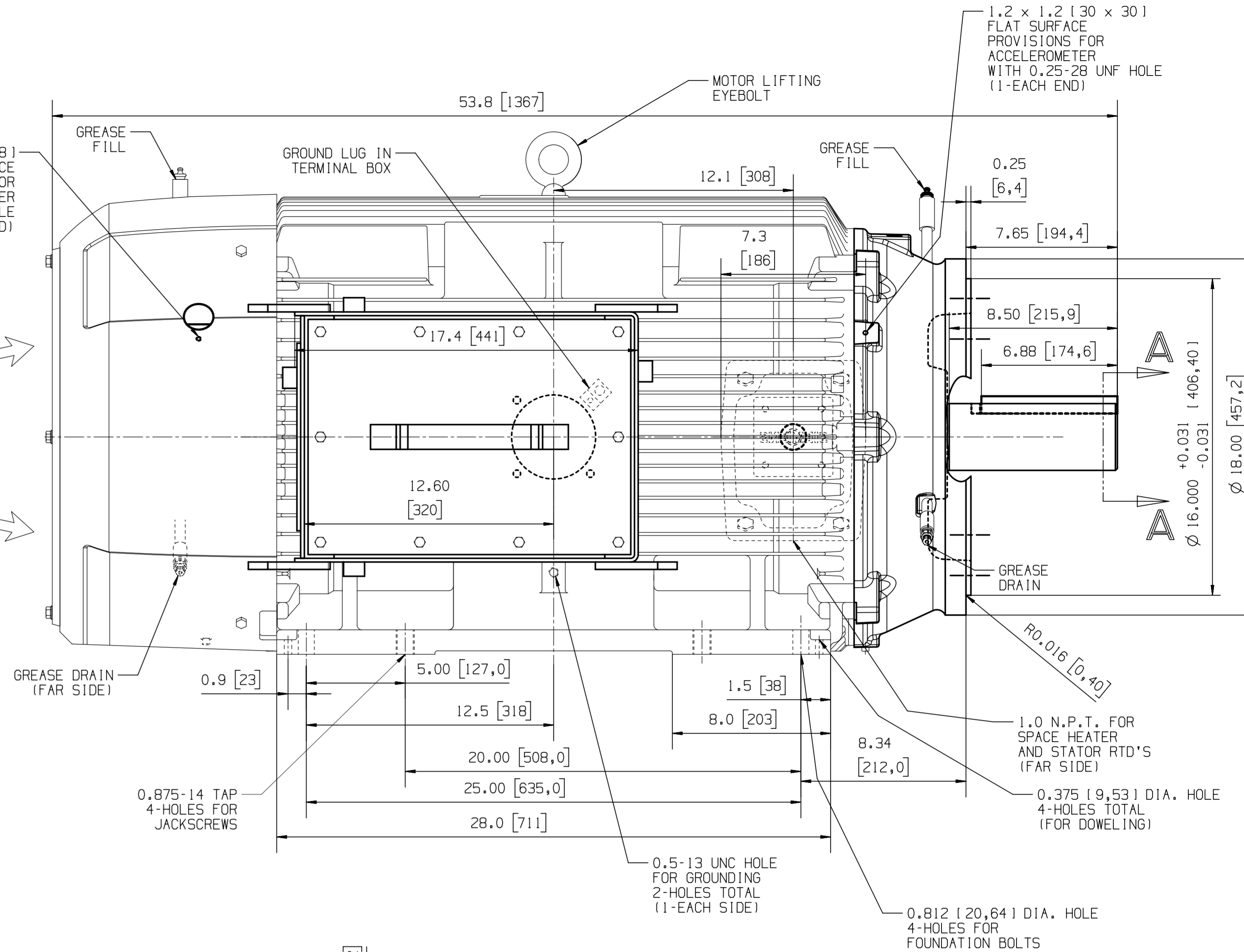
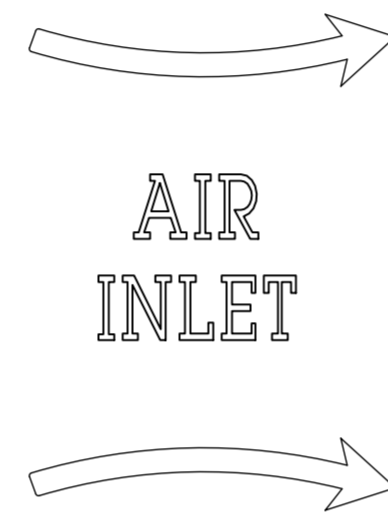


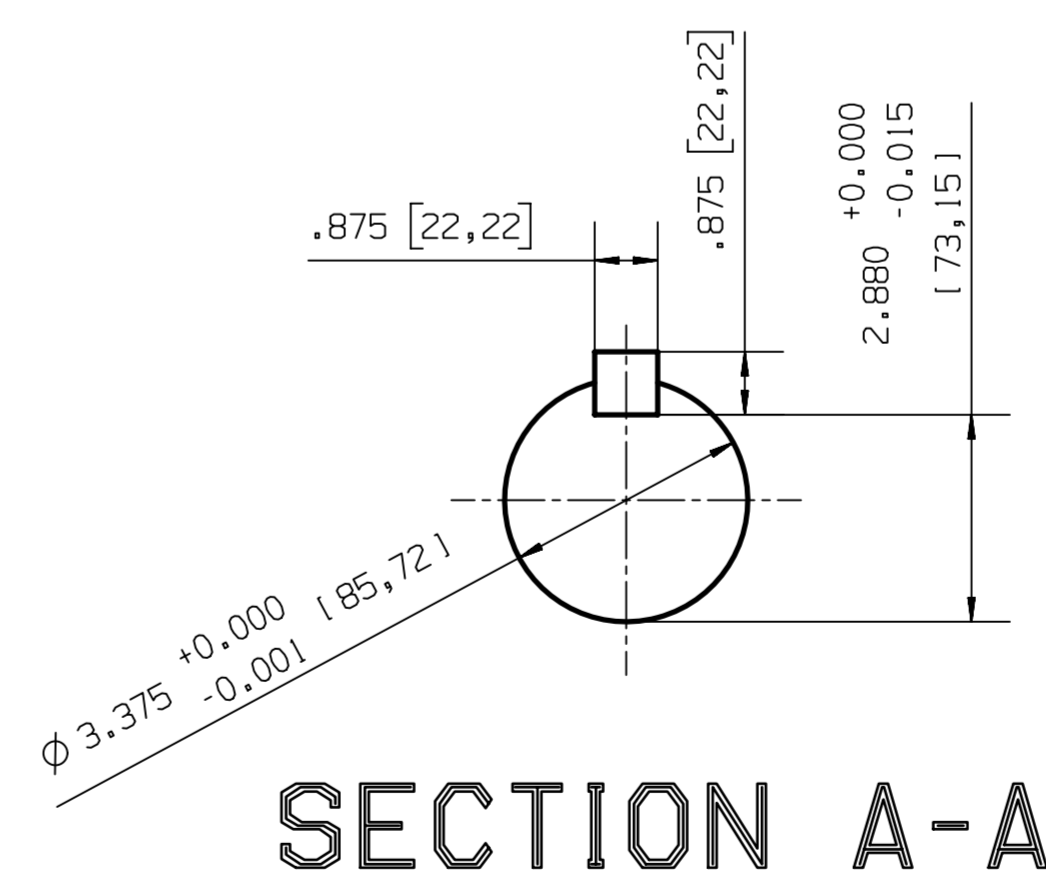
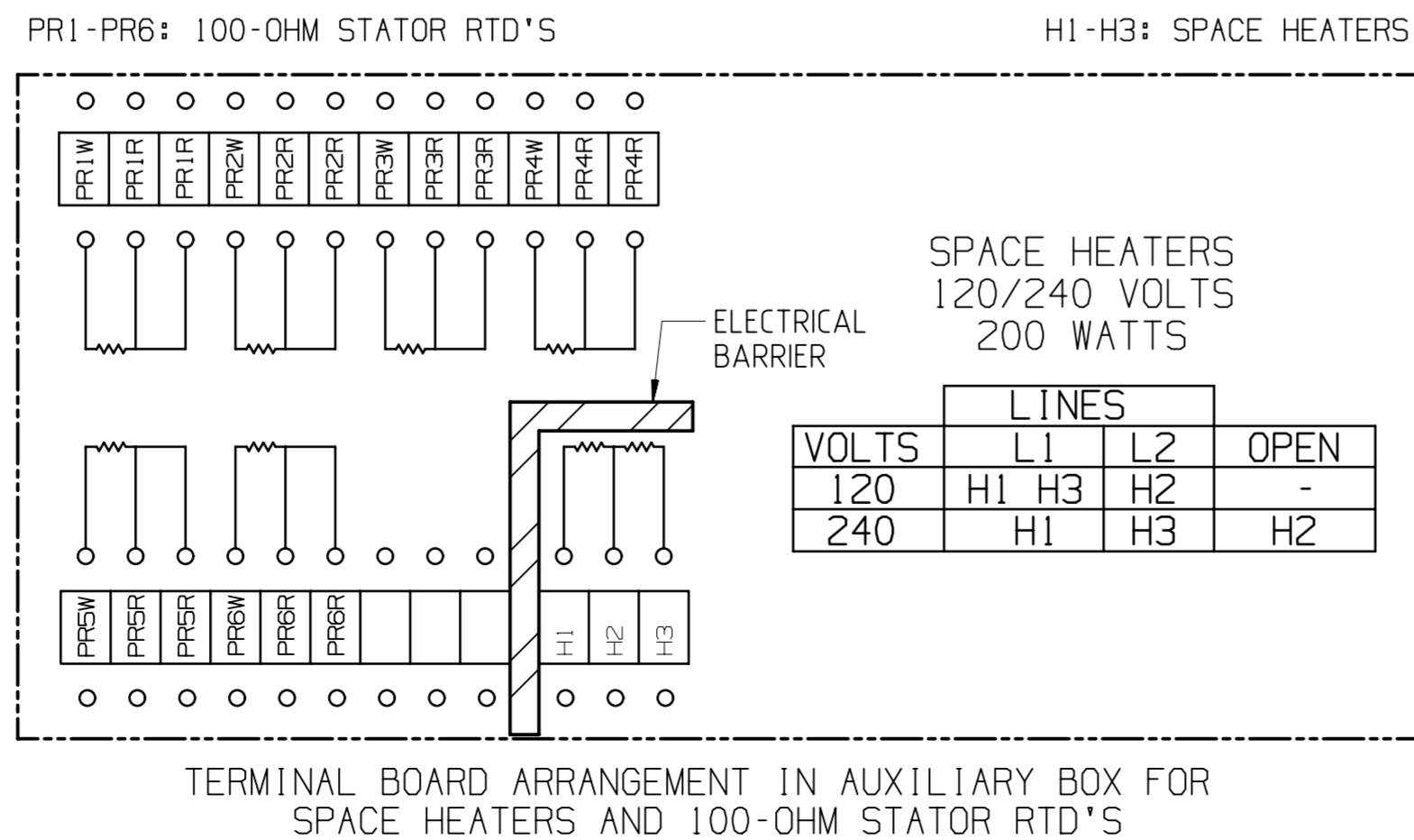
- NOTES:
1. MAIN CONDUIT BOX MAY BE ROTATED IN STEPS OF 90°.
 2. NON-DRIVE END BEARING IS INSULATED, INSULATE ANY CONNECTIONS TO THIS BEARING.
 3. FOR RELUBRICATION OF BEARINGS, SEE LUBRICATION PLATE ON MOTOR.
 4. FOR SAFETY PROCEDURES AND ALIGNMENT REQUIREMENTS, SEE INSTRUCTION MANUAL.
 5. SEE ROTATION PLATE ON MOTOR FOR DIRECTION OF ROTATION. DIRECTION OF ROTATION IS VIEWED FROM THE DRIVE END.
 6. MOTOR MUST BE SUPPORTED AT MOTOR FRONT FEET (NON-DRIVE END) AT ALL TIMES IN ADDITION TO "C" FLANGE.



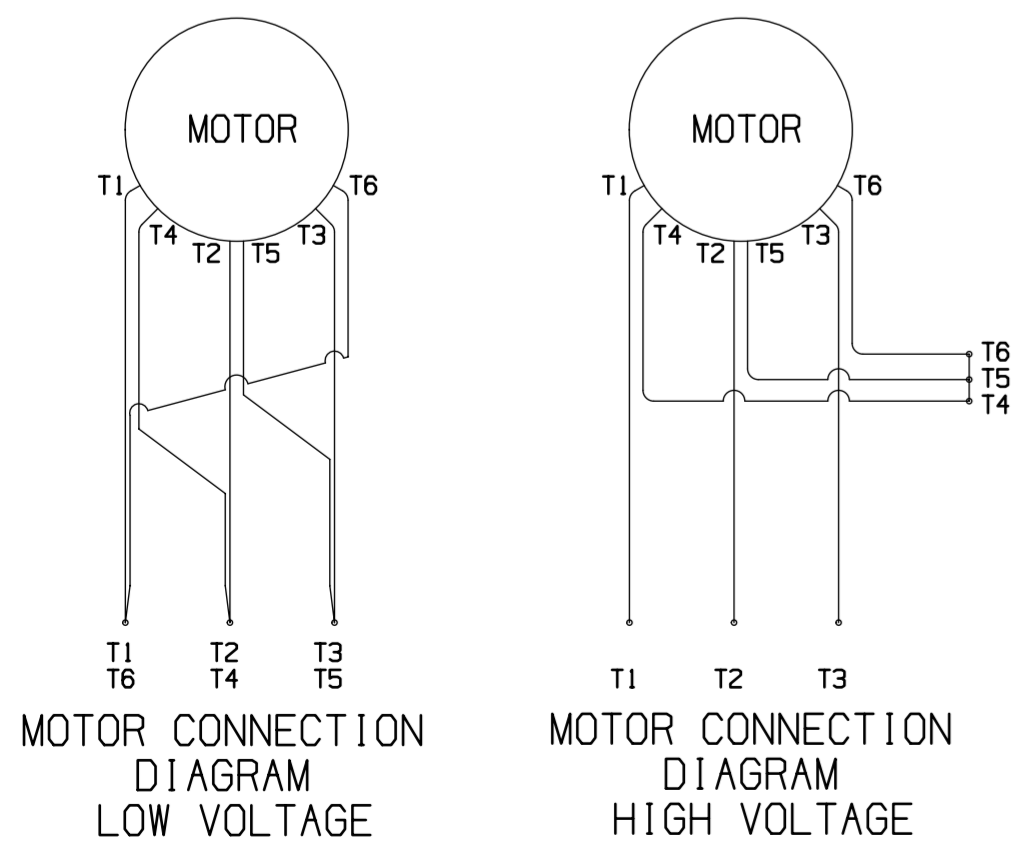
1.7 x 2.7 [43 x 68] FLAT SURFACE PROVISIONS FOR ACCELEROMETER WITH 0.25-28 UNF HOLE (1-EACH END)



RTD ALARM/SHUTDOWN DATA		
	ALARM	SHUTDOWN
STATOR	155°C	170°C



SECTION A-A



MOTOR CONNECTION DIAGRAM LOW VOLTAGE

MOTOR CONNECTION DIAGRAM HIGH VOLTAGE

TERMINAL BOARD ARRANGEMENT IN AUXILIARY BOX FOR SPACE HEATERS AND 100-OHM STATOR RTD'S

(AB) FIXED FRAME LISTED IN THE CERT BLOCK

SIEMENS CERTIFIED PRINT					
CUSTOMER INITIATED CHANGES MAY AFFECT PRICE AND DELIVERY PRODUCTION WILL PROCEED ON THE BASIS OF THIS DRAWING					
FRAME	TYPE	VOLTS	PH	Hz	
449T	TEFC-F	2300/4000	3	60	

Author	Fortenboher	Product	MTRProduct-ID	Doc Type	TB / M8
Creator	2020-06-05 Fortenboher	Item No.		Page Size	D
Approval	2020-06-05 Stengel	Doc No.		1st Language	en
Department	NAM RE-US1 DT LD APP OPS ENG	2nd Language	de		
Change Order	PSA00369033	Revision State	AB	Item No.	A5E46145955A
Doc State	Released	Revision		Ref No.	
Revision	002			Sheet	Tot 1

SIEMENS